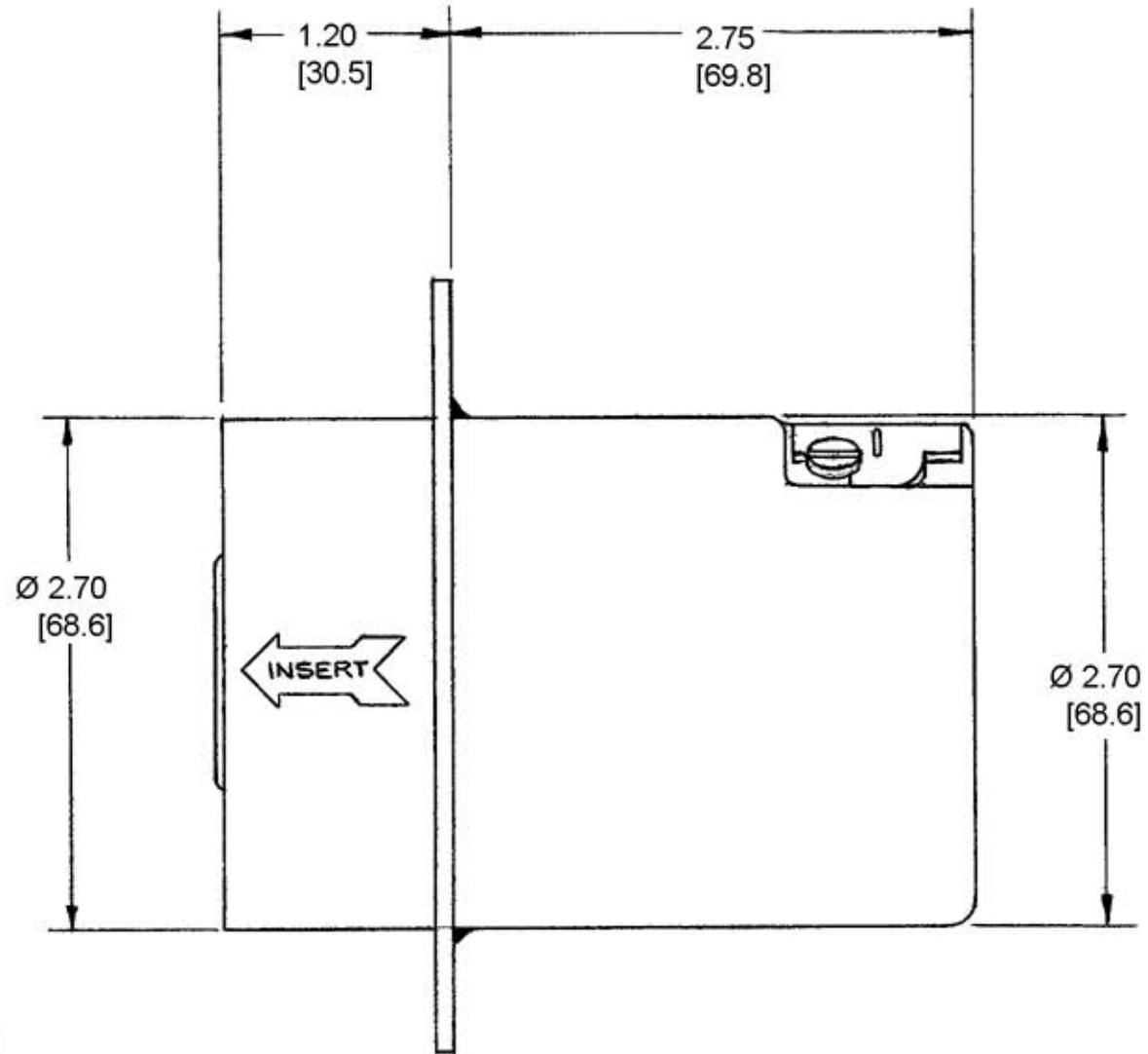
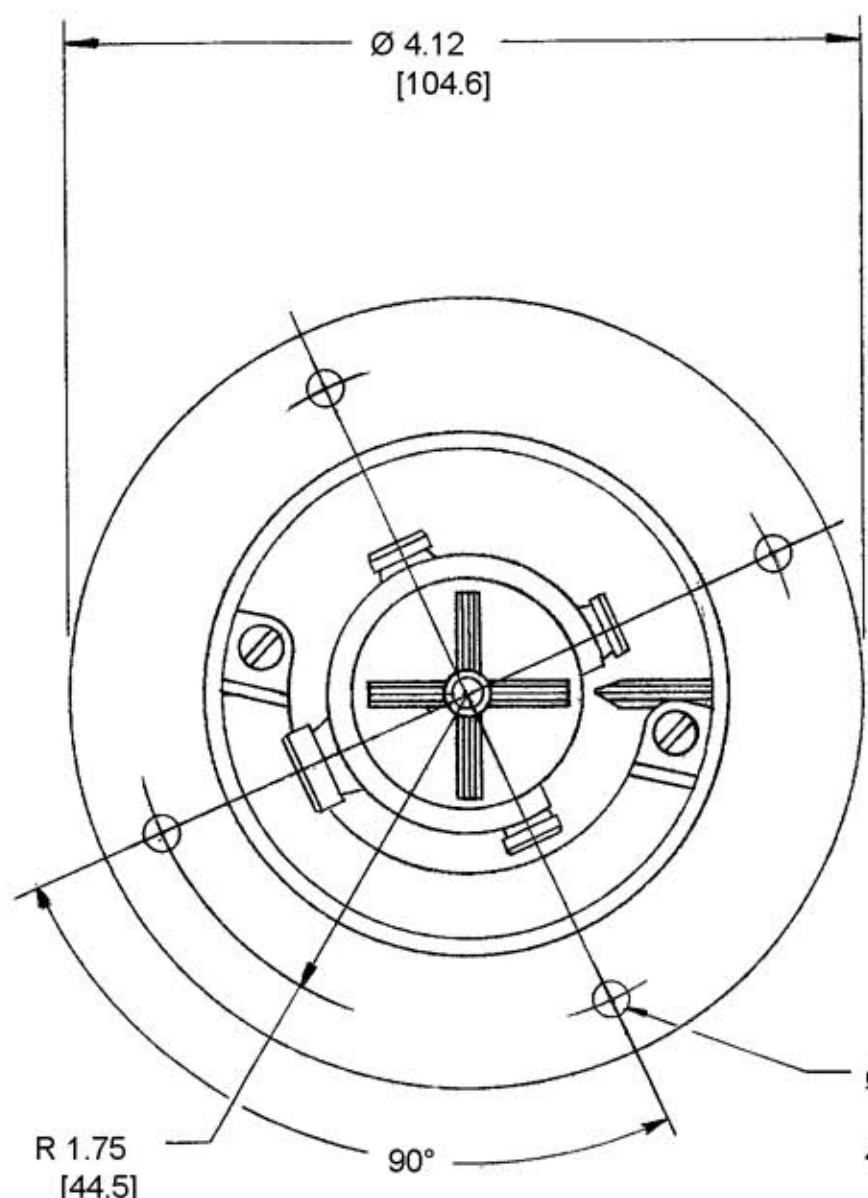


M-5257

3



NOTES:
 1. WIRE CAPACITY: #6 AWG TO #2 AWG, SOLID OR STRANDED COPPER WIRE ONLY.
 2. ALL DIMS. TO BE INCHES.
 [mm]

LIST OF PARTS

| DESCRIPTION | MATERIAL | FINISH |
|--------------|------------|----------|
| INSULATORS | DUREZ | BLACK |
| COVER | .062 STEEL | ZINC PL. |
| CONTACTS | BRASS | |
| CLAMPS | ALUMINUM | WHITE |
| CLAMP SCREWS | STEEL | ZINC PL. |
| GROUND CLAMP | .050 C.R.S | ZINC PL. |
| CENTER POST | STEEL | ZINC PL. |
| FLANGE | .078 C.R.S | BLUE |

DIMENSION SHEET FOR CAT. NO. HBL26522

REPAIRABLE NON-REPAIRABLE

| SYM | REVISIONS | APP | DATE |
|-----|--|-----|---------|
| 3 | ADDED NOTES 1&2; "HBL26522" WAS "26522", CONVERTED ALL DIMS. TO DECIMAL & METRIC PER DCN 11902 RCM | JPP | 2/2/05 |
| 2 | TOL. BLOCK FRACTION TOL. WAS 1/64 | | 1-10-90 |
| 1 | CAT. NO. WAS FE-12910 | | 6-8-76 |

B

M-5257

TITLE
 60A 600VAC, 4 POLE, 5 WIRE
 GROUNDING HUBBELLOCK
 FLANGED INLET

TOLERANCES UNLESS OTHERWISE SPECIFIED
 FRACTIONS ± 1/32
 DECIMALS ± .005
 ANGLES ± 2°

HARVEY HUBBELL, INC.
 BRIDGEPORT, CONN.
 DR. BY A.J.L. APP. BY _____
 TR. BY _____ SCALE FULL
 CHK'D. BY _____ DATE 1-28-71

3