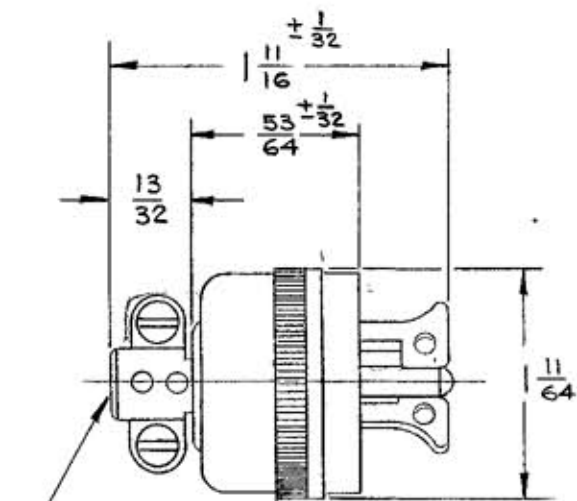
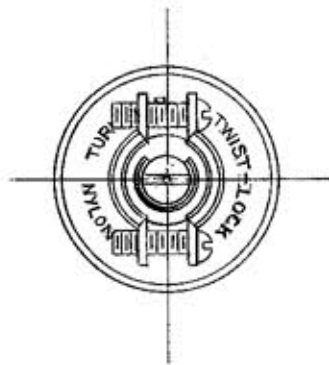
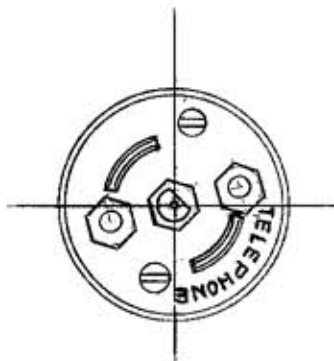


M-5427 1



CLAMPS TAKE CORDS
FROM 9/32 TO 27/64.



LIST OF PARTS

DESCRIPTION	MATERIAL	FINISH
BODY	NYLON	BLACK
BASE	NYLON	BLACK
CONTACT BLADES	.060 BRASS	NICKEL PL
BINDING SCREWS	BRASS	NICKEL PL
CENTER CONTACT	BRASS	NICKEL PL
CUPPED WASHER	.031 BRASS	NICKEL PL
INSULATOR	NYLON	
CORD CLAMPS	.040 BRASS	NICKEL PL

DIMENSION SHEET FOR CAT. NO. PH-6625

REPAIRABLE NON-REPAIRABLE

1	CAT. NO. WAS 7885 A.JL	JCH	4-10-75
SYM	REVISIONS	APP	DATE

B
M-5427

TITLE
3 WIRE TWIST-LOCK
TELEPHONE PLUG

TOLERANCES, UNLESS OTHERWISE SPECIFIED
FRACTIONS ± 1/64
DECIMALS ± .005
ANGLES ± 2°

HARVEY HUBBELL, INC.
BRIDGEPORT, CONN.
DR. BY ASM APP. BY
TR. BY SCALE 1=1
CHK'D. BY DATE 1-21-72