

M-5442

1

LIST OF PARTS

DESCRIPTION	MATERIAL	FINISH
BOX	.060 STEEL	GRAY

DIMENSION SHEET FOR CAT. NO.

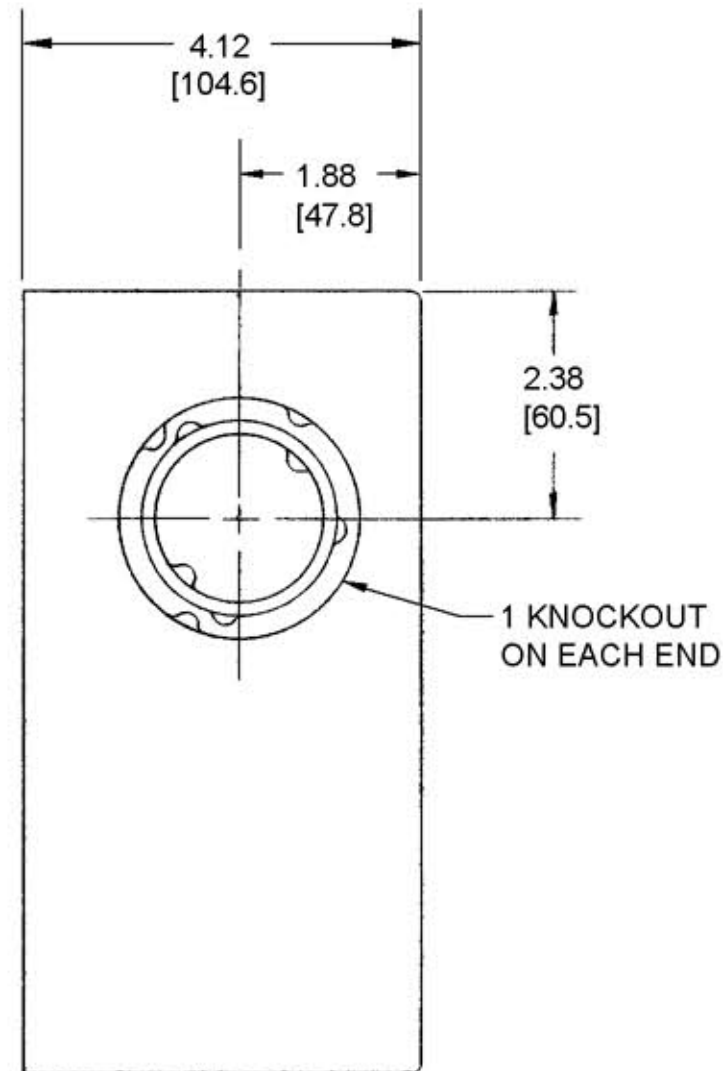
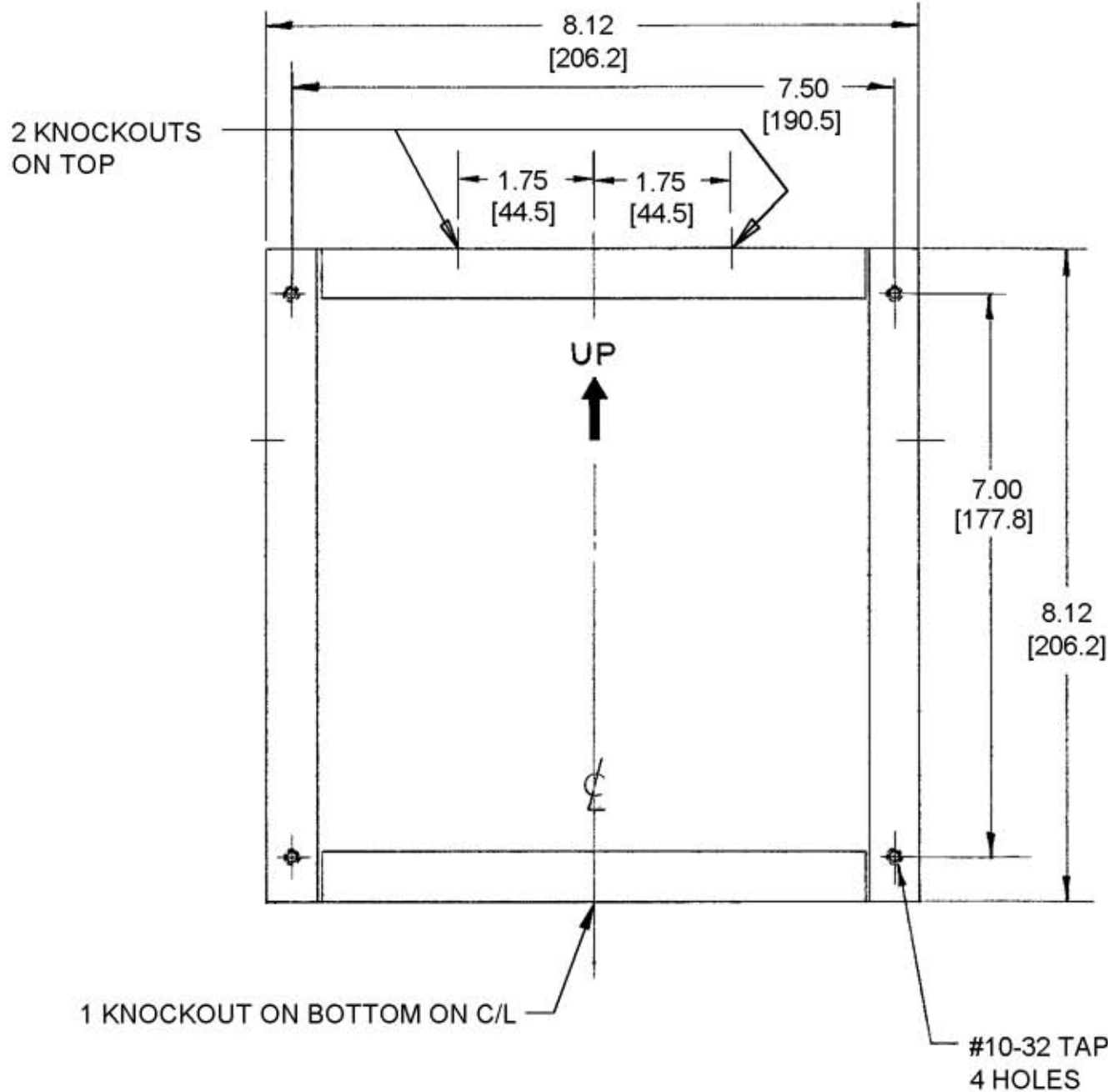
HBL25509

REPAIRABLE NON-REPAIRABLE

B

M-5442

1



1 KNOCKOUT ON BOTTOM ON C/L

#10-32 TAP
4 HOLES

NOTES:

- 1. ALL KNOCKOUTS LOCATED 1.87 FROM BACK TO CENTER.
[47.5]
- 2. ALL KNOCKOUTS ARE CONCENTRIC: 1 1/4" NPT, 1 1/2" NPT & 2" NPT.
- 3. ALL DIMS. TO BE INCHES.
[mm]

1	REVISED NOTES 1&2; ADDED NOTE 3; CONVERTED ALL DIMS. TO DECIMAL & METRIC; REMOVED "HORIZONTAL" MARKING; ADDED "UP" MARKING PER DCN 11902 RCM	JPP	2/5/05
SYM	REVISIONS	APP	DATE

TITLE BOX FOR MOBILE X-RAY RECEPACLE	TOLERANCES UNLESS OTHERWISE SPECIFIED		HARVEY HUBBELL, INC.	
			BRIDGEPORT, CONN.	
	FRACTIONS ± 1/64	DECIMALS ± .005	DR. BY <u>ASM</u>	APP. BY _____
ANGLES ± 2°	TR. BY _____		SCALE <u>1/2=1</u>	
CHK'D. BY _____			DATE <u>2-11-72</u>	