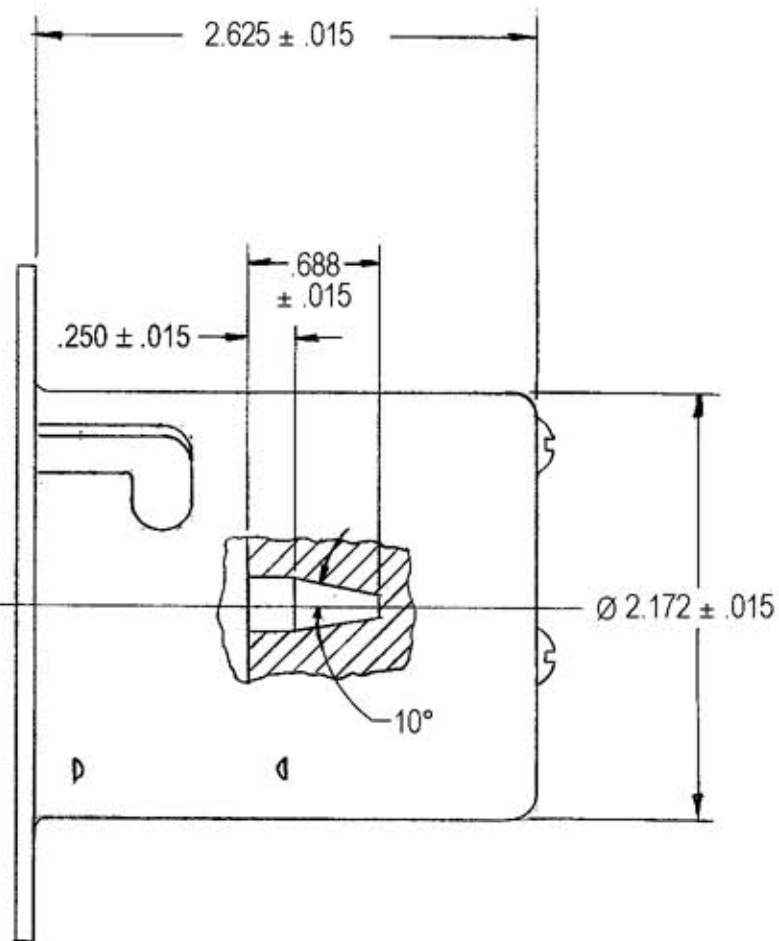
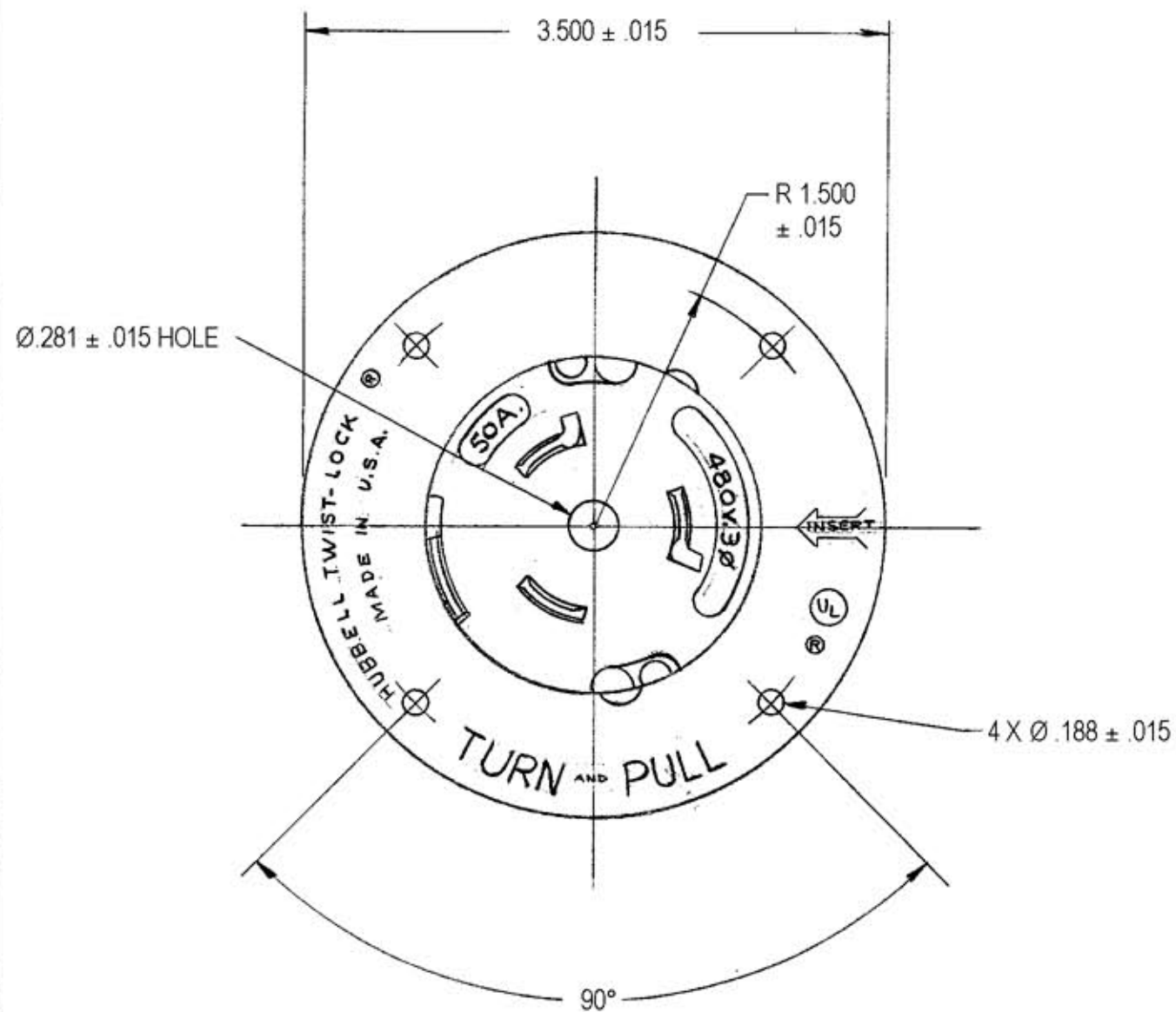


M-5635 | 1



LIST OF PARTS		
DESCRIPTION	MATERIAL	FINISH
INSULATORS	PHENOLIC	
CONTACT BLADES	100 BRASS	
TERMINALS	.050 STEEL	BRASS
GR. TERMINAL	.062 COPPER	GREEN
GR. SPRING	.025 BRONZE	
PRESSURE SCREWS	STEEL	SAB. PL. YELLOW CHROM.
FLANGED CASING	.062 STEEL	ZINC PL.
RD. HD. SCREWS	STEEL	ZINC PL.

REPAIRABLE NON-REPAIRABLE

1	ALL DIMS CONVERTED TO 3 PL DECIMAL & TOL ADDED PER DCN #7772. AMZ DB	6/27/00	
SYM	REVISIONS	APP	DATE

B M-5635

CAT. NO. CS8175

TITLE 50A. 480V. 3Ø 3 POLE
4 WIRE NON-INTERCHANGEABLE
TWIST-LOCK FLANGED INLET
WITH CENTER HOLE

TOLERANCES UNLESS OTHERWISE SPECIFIED

FRACTIONS $\pm 1/64$
 DECIMALS $\pm .005$
 ANGLES $\pm 2^\circ$

HARVEY HUBBELL, INC.
 BRIDGEPORT, CONN.

DR. BY A.J.L. APP. BY _____
 TR. BY _____ SCALE FULL
 CHK'D. BY _____ DATE 4-2-73