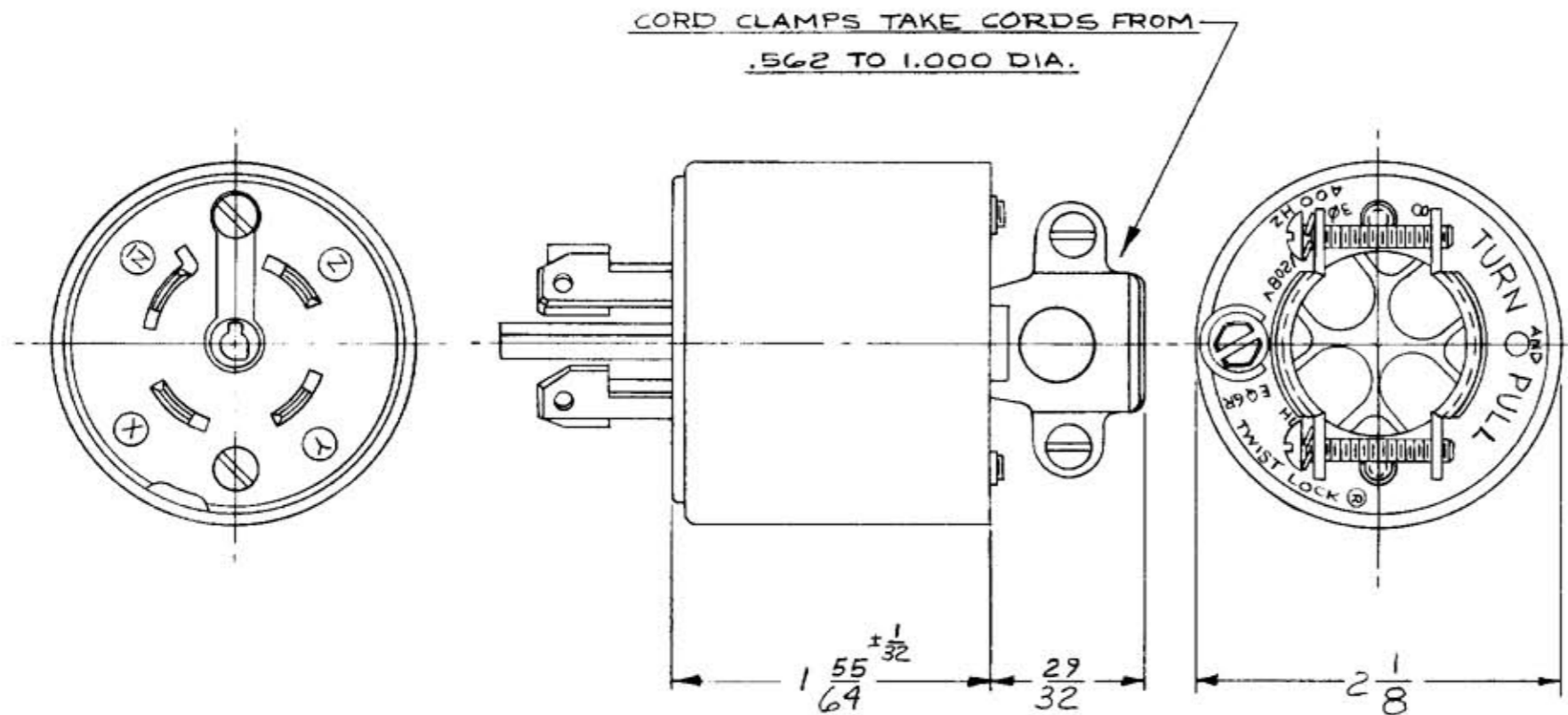


M-5762



LIST OF PARTS		
DESCRIPTION	MATERIAL	FINISH
COVER	NYLON	BLACK
RETAINING SHELL	NYLON	BLACK
TOP PLATE	.040 STEEL	ZINC PL.
CUPPED WASHER	.031 BRASS	
BINDING SCREWS	BRASS	1-WHITE
BLADE HOLDER	FIBERITE	BLACK
4-BLADES	.070 BRASS	1-WHITE
4-TERMINALS	.031 BRASS	
WIRE CRAMP	.062 STEEL	ZINC PL.
CENTER GR. PIN	BRASS	
SHUNT	.031 BRONZE	
CORD CLAMP	.062 STEEL	ZINC PL.
HOLDING SCREWS	BRASS	
HEX HD. GR. SCR	BRASS	GREEN

DIMENSION SHEET FOR CAT. NO. 45915

REPAIRABLE NON-REPAIRABLE

B M-5762

SYM	REVISIONS	APP	DATE

TITLE
4-POLE, 5-WIRE, 20 AMP, 120/208 V 3Φ Y
400 HZ "TWIST-LOCK" PLUG

TOLERANCES UNLESS OTHERWISE SPECIFIED
 FRACTIONS ± 1/64
 DECIMALS ± .005
 ANGLES ± 2°

HARVEY HUBBELL, INC.
 BRIDGEPORT, CONN.

DR. BY KF APP. BY _____
 TR. BY _____ SCALE Full
 CHK'D. BY _____ DATE 12-26-73