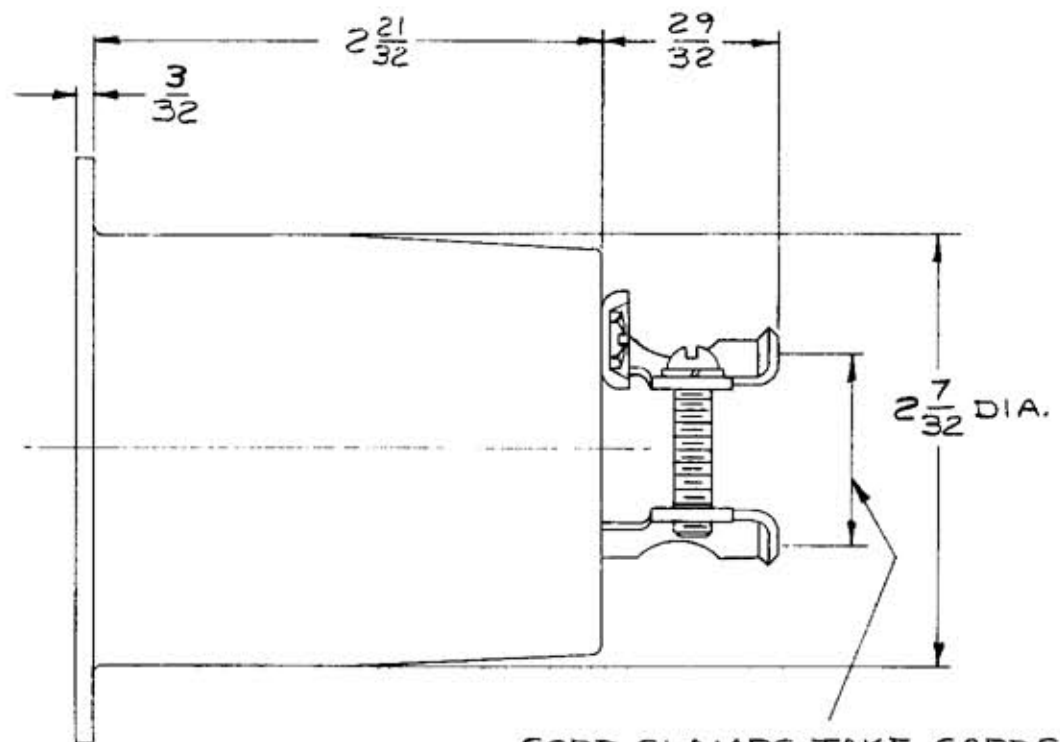
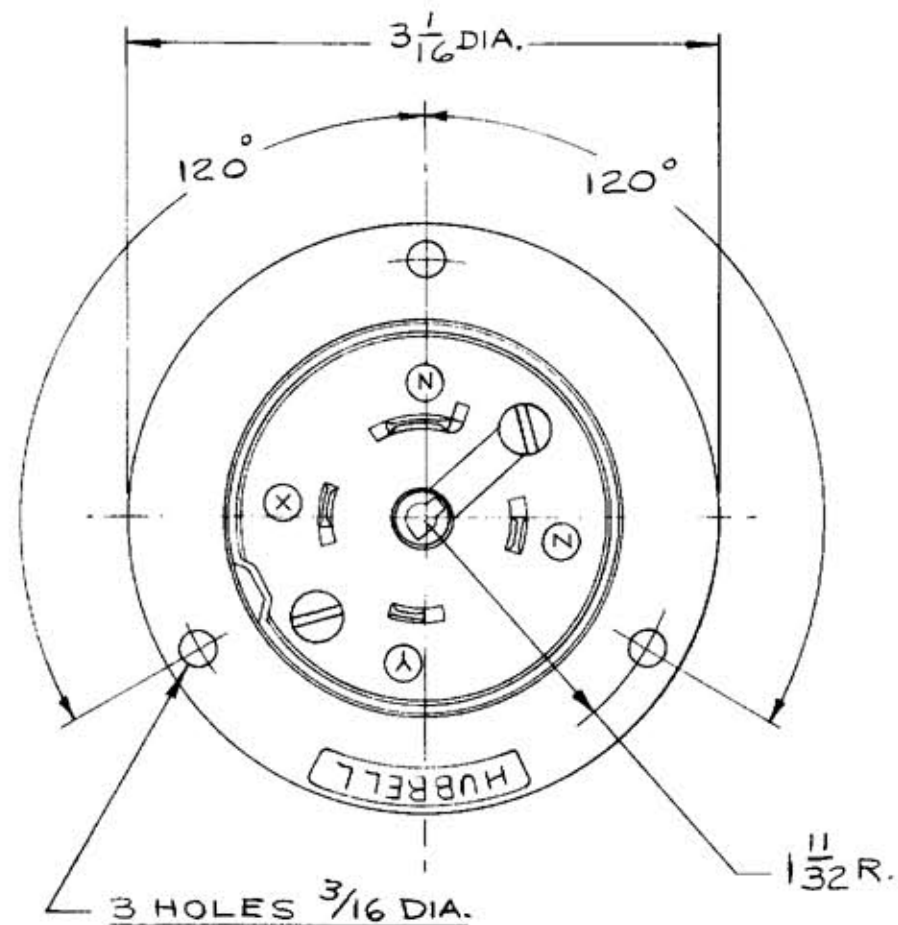


M-5765



CORD CLAMPS TAKE CORDS FROM 5/8" TO 1"

CATALOG No.	
WITH CORD GRIP	WITHOUT CORD GRIP
45985CL	45985 NCL

LIST OF PARTS		
DESCRIPTION	MATERIAL	FINISH
BLADE HOLDER	FIBERITE	BLACK
RETAINING SHELL	NYLON	BLACK
CASING	LEXAN	CLEAR
BLADES	.070 BRASS	1-WHITE
TERMINALS	.031 BRASS	
CENTER GR. PIN	BRASS	
SHUNT	.031 BRONZE	
BINDING SCREW	BRASS	1-WHITE
CORD CLAMPS	.062 STEEL	ZINC PL.
CUPPED WASHER	.031 BRASS	
TOP PLATE	.040 STEEL	ZINC PL.
WIRE CLAMP	.062 STEEL	NICKEL PL.
HOLDING SCREWS	BRASS	
HEX. HD. GR. SCR.	BRASS	GREEN

SYM	REVISIONS	APP	DATE

TITLE
4-POLE, 5-WIRE, 20 AMP, 120/208 V.
3 Ø Y 400 HZ "TWIST-LOCK"
FLANGED INLET.

TOLERANCES UNLESS OTHERWISE SPECIFIED
 FRACTIONS ± 1/64
 DECIMALS ± .005
 ANGLES ± 2°

HARVEY HUBBELL, INC.
 BRIDGEPORT, CONN.
 DR. BY RF APP. BY _____
 TR. BY _____ SCALE FULL
 CHK'D. BY _____ DATE 1-3-74

CODE 74545

DIMENSION SHEET FOR CAT. NO. SEE CHART
 REPAIRABLE NON-REPAIRABLE
B M-5765