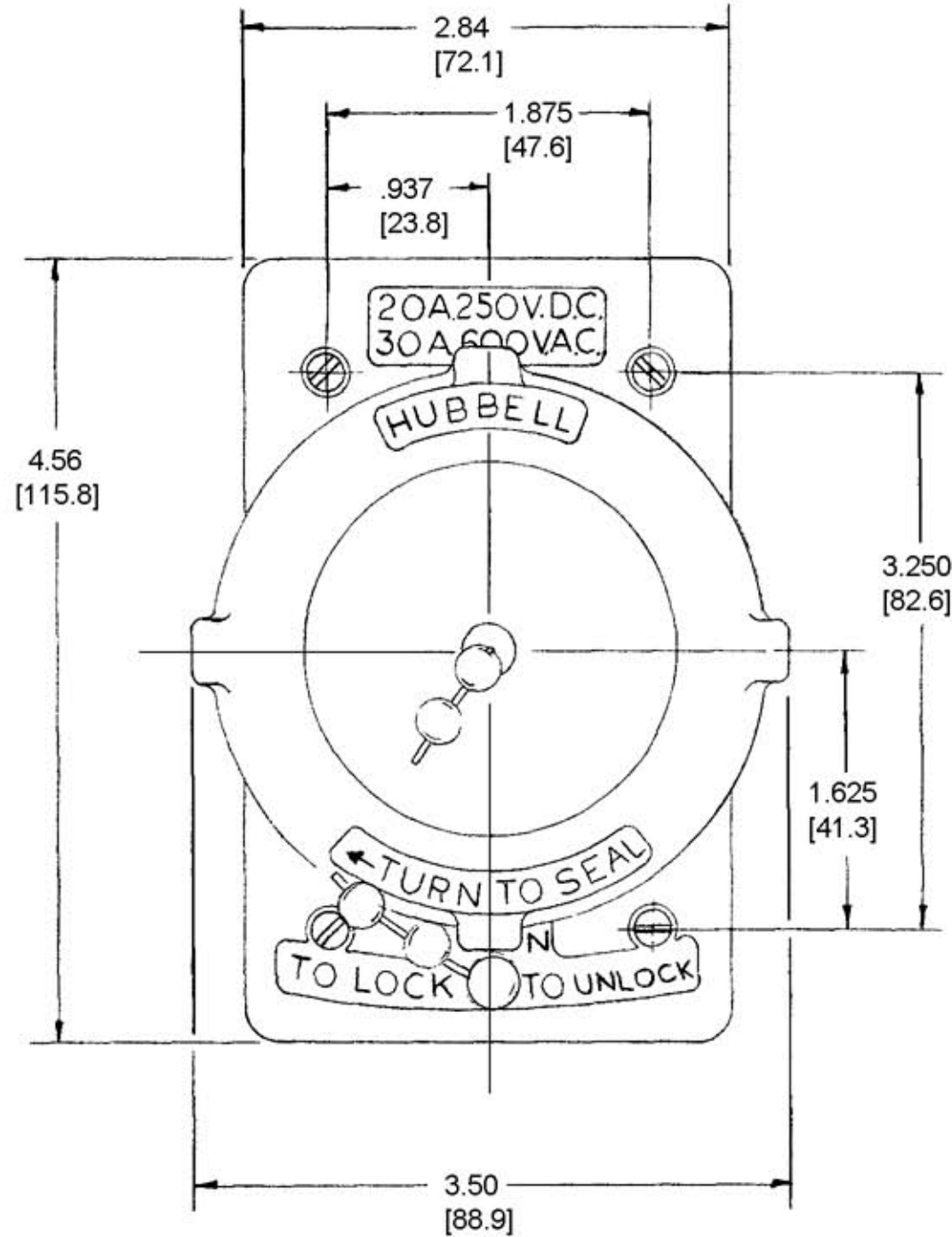
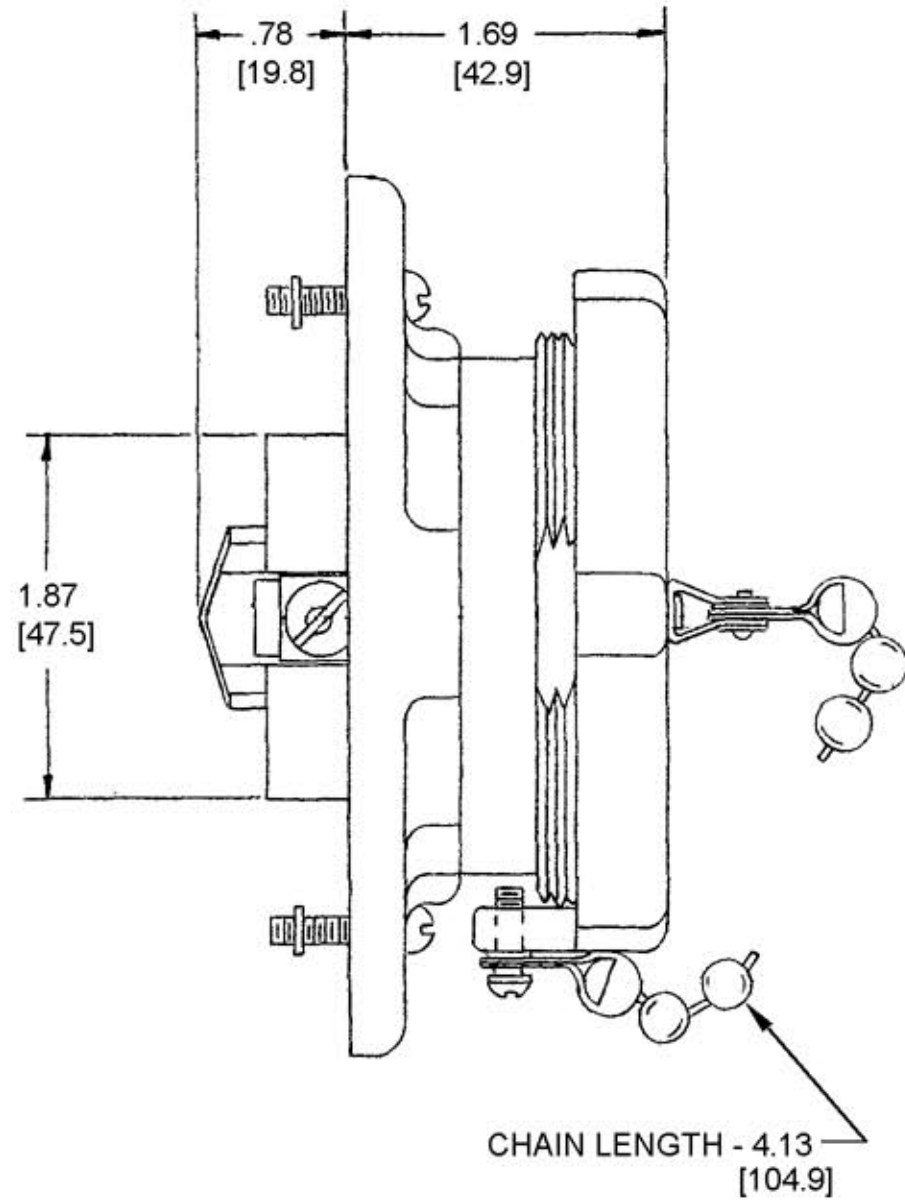


M-5825 1



- NOTES:
 1. WIRE CAPACITY: #12 AWG TO #6 AWG, SOLID OR STRANDED COPPER WIRE.
 2. ALL DIMENSIONS TO BE INCHES. [mm]

LIST OF PARTS

DESCRIPTION	MATERIAL	FINISH
HOLDER	BAKELITE	BLACK
CONTACTS	BRONZE	
TERMINAL	COPPER	NICKEL PL.
EYELET	.008 BRASS	NICKEL PL.
PRESSURE SCREW	BRASS	NICKEL PL.
SHUNT	.031 BRASS	NICKEL PL.
SEALING RING	BRASS	NICKEL PL.
FILLER CAP	.062 BRASS	NICKEL PL.
#13 BEAD CHAIN	BRASS	NICKEL PL.
SEALING GLAND	RUBBER	
GASKET RING	.015 BRASS	NICKEL PL.
PLATE	BRASS	NICKEL PL.
#6 MOUNTING SCREW	ST. STEEL	PASSIVATE
WASHER	FIBER	

DIMENSION SHEET FOR CAT. NO.

HBL22CM428

REPAIRABLE NON-REPAIRABLE

B

M-5825

1

1	ADDED NOTES 1&2; "HBL22CM428" WAS "22CM428"; ADDED "SCREW" & "WASHER" CALLOUTS TO LIST; CONVERTED ALL DIMS. TO DECIMAL & METRIC PER DCN 11902 RCM	JPP	1/28/05
SYM	REVISIONS	APP	DATE

TITLE
 20A 250VDC 30A 600VAC
 4 WIRE HUBBELLOCK
 MALE RECPTACLE WITH PLATE
 SEALING RING & GASKET

TOLERANCES UNLESS OTHERWISE SPECIFIED
 FRACTIONS ± 1/64
 DECIMALS ± .005
 ANGLES ± 2°

HARVEY HUBBELL, INC.
 BRIDGEPORT, CONN.
 DR. BY C.J.G. APP. BY
 TR. BY SCALE FULL
 CHK'D. BY DATE 3-24-75