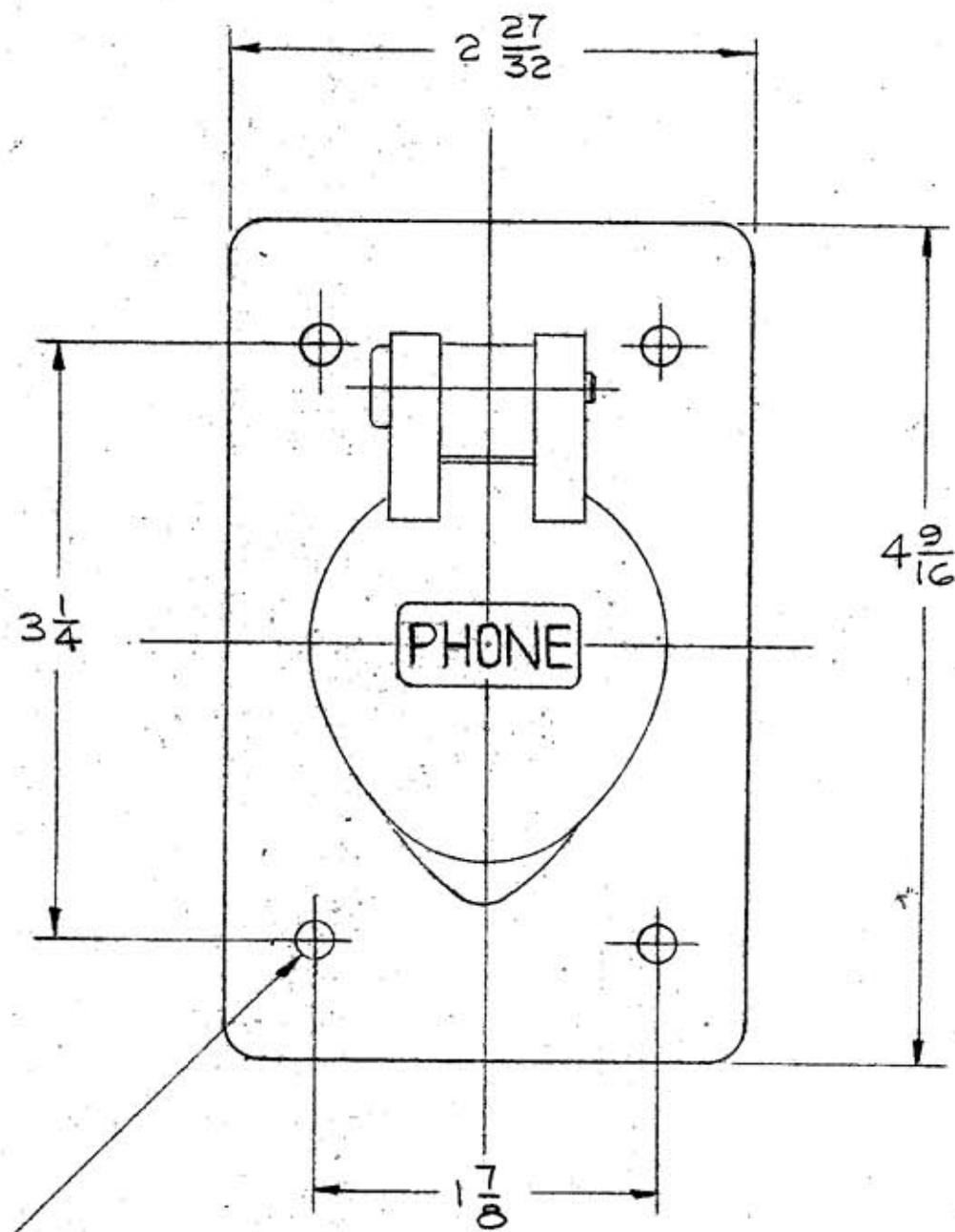
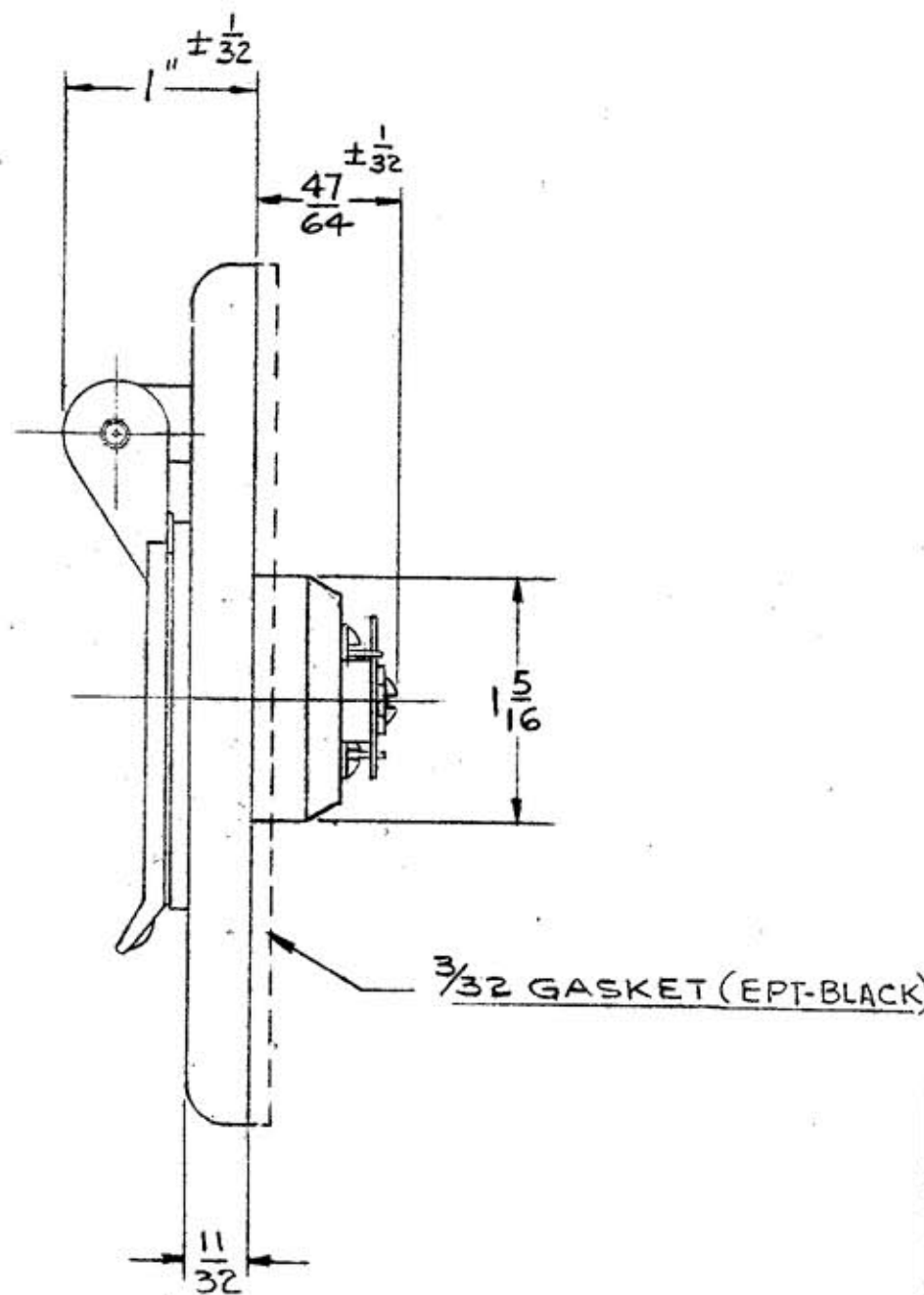


M-5839



(SUPPLIED WITH 4-#6-32 STAINLESS STEEL MOUNTING SCREW)



LIST OF PARTS

DESCRIPTION	MATERIAL	FINISH
PLATE	GLASS	
FLAP	FILLED	BLACK
HINGE PIN	LEXAN	
GASKET	EPT	GRAY
SPRING	ST. ST.	
CONTACT BLADES	.060 BRASS	NICKEL PL.
BINDING SCREWS	BRASS	NICKEL PL.
CENTER CONTACT	BRASS	NICKEL PL.
CUPPED WASHER	.031 BRASS	NICKEL PL.
INSULATOR	.031 NYLON	

REPAIRABLE NON-REPAIRABLE

B
M-5839

SYM	REVISIONS	APP	DATE

TITLE
3 WIRE TWIST-LOCK
TELEPHONE INLET
FOR F.S. BOX MOUNTING

TOLERANCES UNLESS OTHERWISE SPECIFIED
 FRACTIONS $\pm 1/64$
 DECIMALS $\pm .005$
 ANGLES $\pm 2^\circ$

HARVEY HUBBELL, INC.
 BRIDGEPORT, CONN.
 DR. BY C. J. G. APP. BY
 TR. BY SCALE FULL
 CHK'D. BY DATE 5-20-75