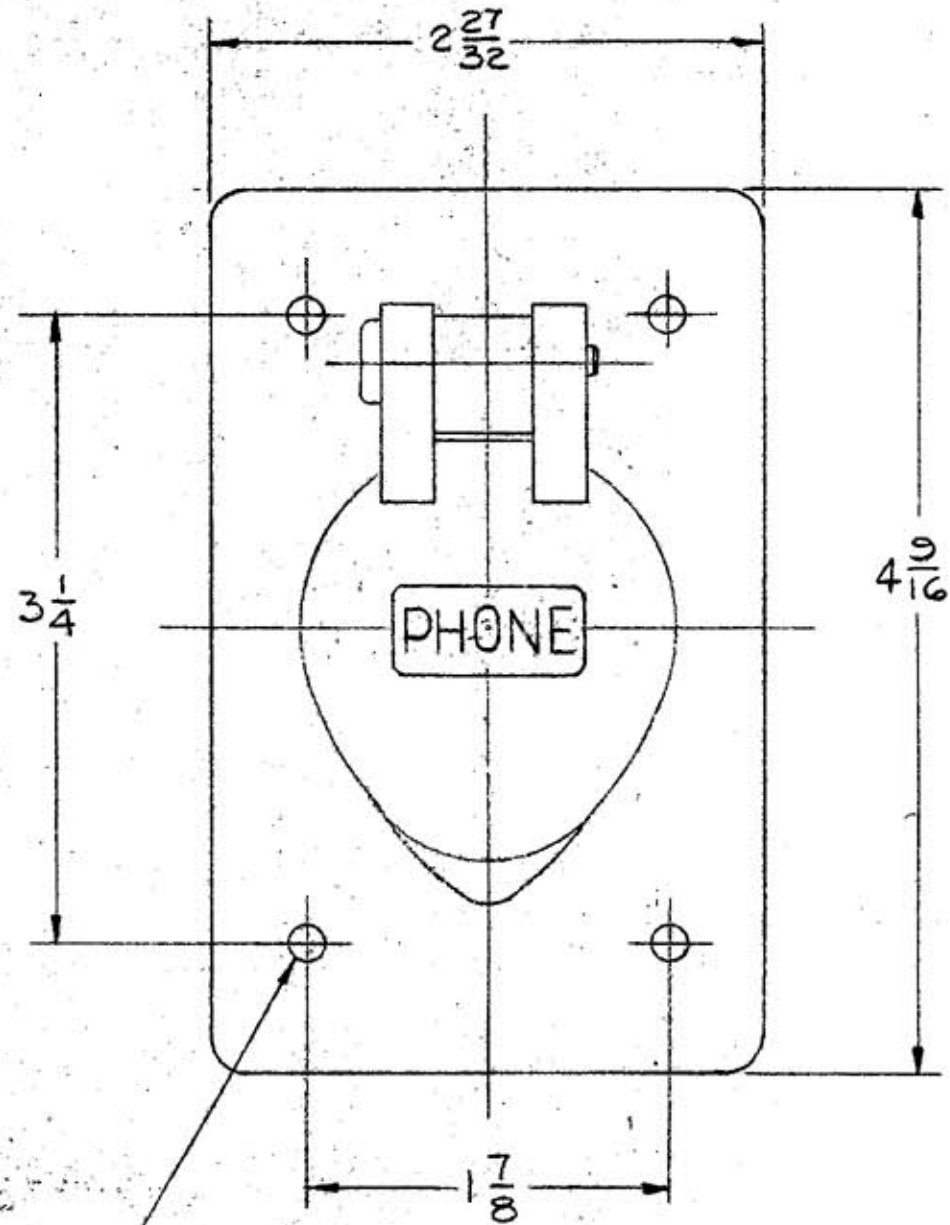
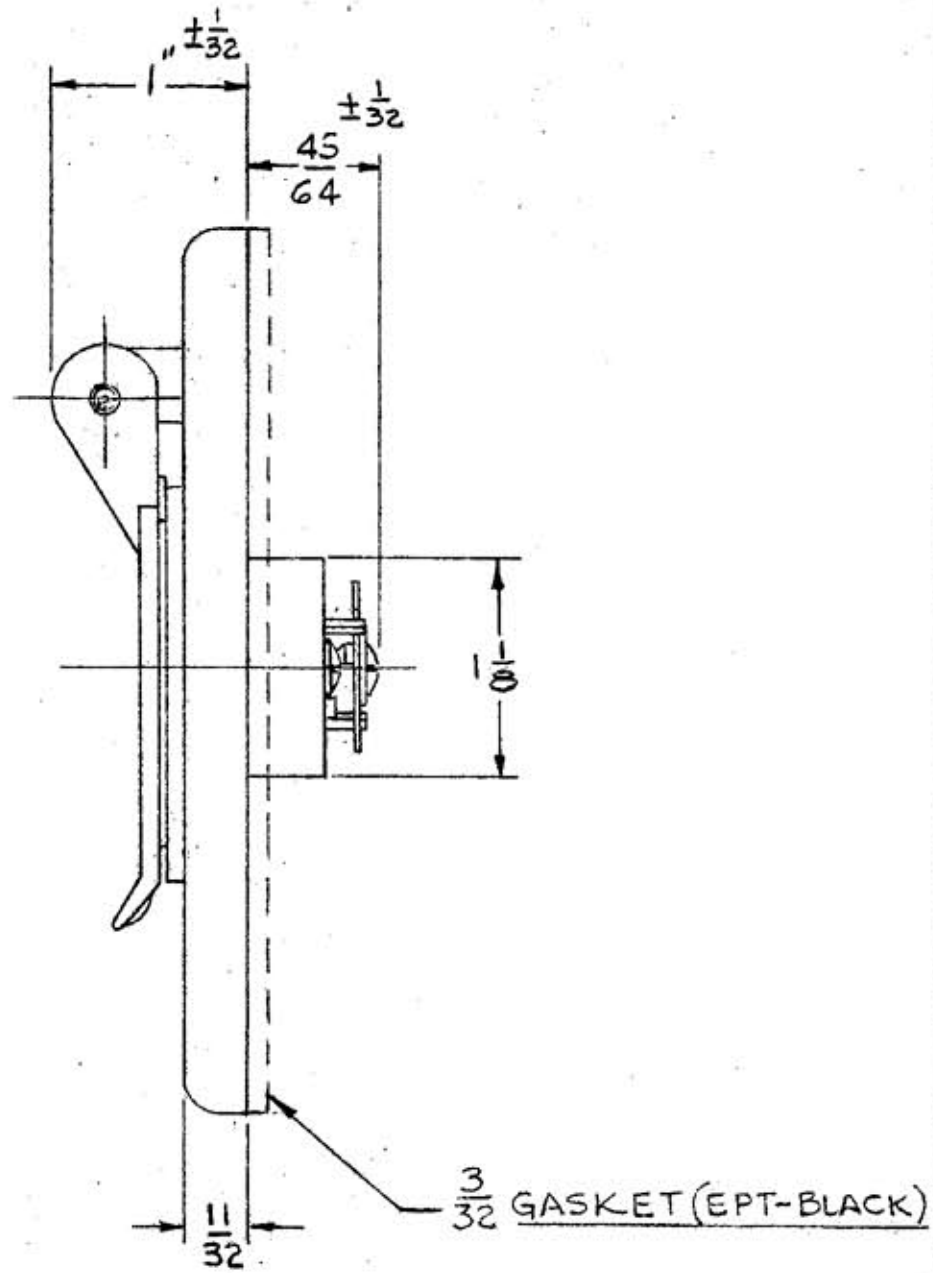


M-5840



$\frac{3}{16}$  DIA. 4-HOLES  
 (SUPPLIED WITH 4-#6-32 STAINLESS  
 STEEL MOUNTING SCREW.)



LIST OF PARTS

DESCRIPTION	MATERIAL	FINISH
PLATE	GLASS	
FLAP	FILLED	BLACK
HINGE PIN	LEXAN	
GASKET	EPT	GRAY
SPRING	ST. STEEL	
BARRIER	NYLON	BLACK
CONT. SPR. BIND PL.	.031 BRONZE	NICKEL PL.
BINDING SCREWS	BRASS	NICKEL PL.
CENTER CONTACT	BRASS	NICKEL PL.
CUPPED WASHER	.031 BRASS	NICKEL PL.
INSULATOR	.031 NYLON	

DIMENSION SHEET FOR CAT. NO. PH-6597

REPAIRABLE  NON-REPAIRABLE

B M-5840

SYM	REVISIONS	APP	DATE

TITLE  
3 WIRE TWIST-LOCK  
TELEPHONE OUTLET  
FOR F.S. BOX MOUNTING

TOLERANCES UNLESS  
 OTHERWISE SPECIFIED  
 FRACTIONS  $\pm 1/64$   
 DECIMALS  $\pm .005$   
 ANGLES  $\pm 2^\circ$

HARVEY HUBBELL, INC.  
 BRIDGEPORT, CONN.  
 DR. BY C. J. G. APP. BY  
 TR. BY SCALE FULL  
 CHK'D. BY DATE 5-20-75