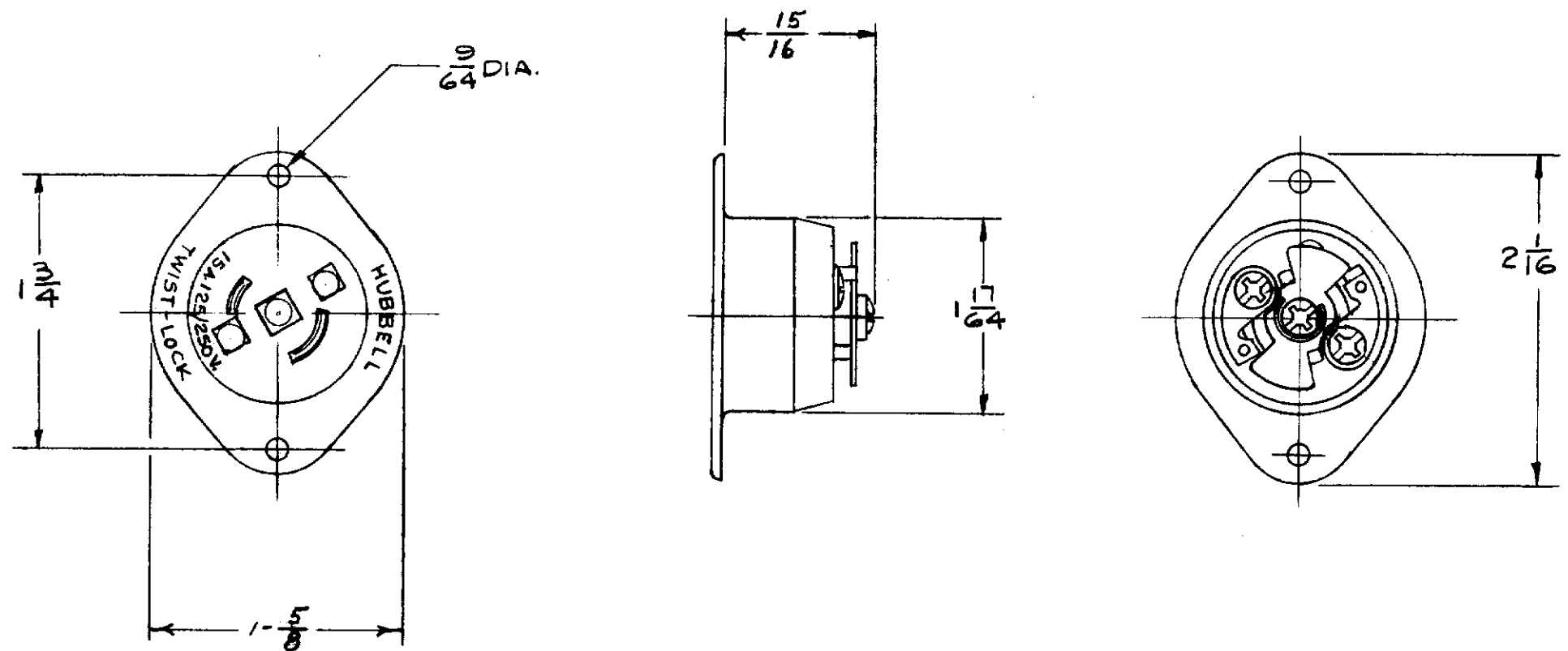


M-5901 2



LIST OF PARTS		
DESCRIPTION	MATERIAL	FINISH
BASE	NYLON	BLACK
CONTACT BLADE	BRASS	
INSERT	BRASS	
BIND. HD. SCREW	BRASS	1-WHITE
INSULATOR	NYLON	NATURAL
CUPPED CONT. WASHER	BRASS	NICKEL

DIMENSION SHEET FOR CAT. NO. 7486 N

REPAIRABLE NON-REPAIRABLE

SYM	REVISIONS	APP	DATE
2	PICTORIAL CHANGE TO BOTTOM VIEW TO SHOW COMBO DRIVE SCREWS PER DCN 23087 RM	DJP	5/22/17
1	SQUARE INSERTS WERE HEX; 1/16 DIM WAS 1"; ADD 1-WIRE DIM. TAP	CS	2/14/92

B M-5901

TITLE
15A. 125/250V. 3-WIRE MIDGET
TWIST-LOCK FLANGED INLET
(NYLON)

TOLERANCES UNLESS OTHERWISE SPECIFIED		HARVEY HUBBELL, INC.	
FRACTIONS ± 1/64		SHELTON, CT.	
DECIMALS ± .005		DR. BY <u>A.J.L.</u>	APP. BY _____
ANGLES ± 2°		TR. BY _____	SCALE <u>FULL</u>
		CHK'D. BY _____	DATE <u>6-8-76</u>

CODE 74545

2