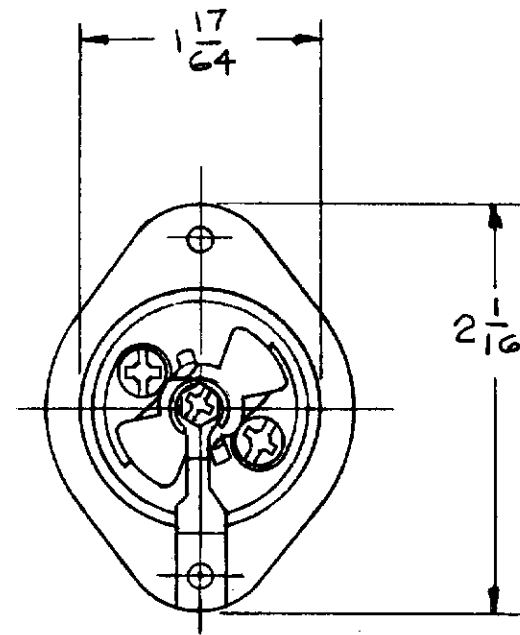
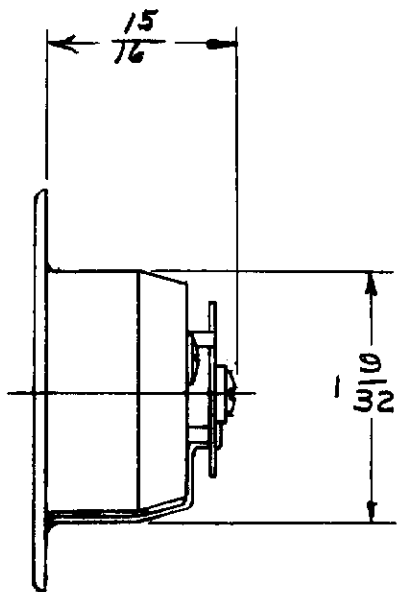
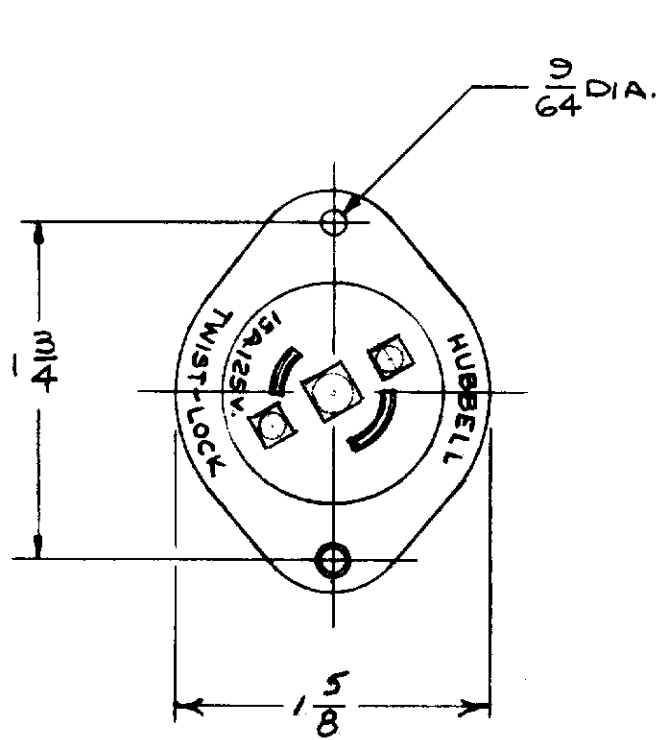


M-5903 2



LIST OF PARTS		
DESCRIPTION	MATERIAL	FINISH
BASE	NYLON	BLACK
CONTACT BLADE	BRASS	I-WHITE
INSERT	BRASS	
BIND.HD. SCREW	BRASS	I-WHITE
INSULATOR	NYLON	NATURAL
SHUNT	BRASS	
HEX. HD. BIND SCR.	BRASS	GREEN
GR. CONTACT SLEEVE	BRASS	

DIMENSION SHEET FOR CAT. NO. 7595N

REPAIRABLE  NON-REPAIRABLE

SYM	REVISIONS	APP	DATE
2	PICTORIAL CHANGE TO BOTTOM VIEW TO SHOW COMBO DRIVE SCREWS PER DCN 23087 RM	DJP	5/22/17
1	SQUARE INSERTS WERE HAY, 7576 DIM WAS 1"; ADDED 1-5/8 DIM. 27627	CB	2/14/92

**B**  
**M-5903**

**TITLE**  
15A.125V. 2 POLE 3-WIRE  
MIDGET TWIST-LOCK FLANGED INLET  
(NYLON)

TOLERANCES UNLESS OTHERWISE SPECIFIED		HARVEY HUBBELL, INC.	
FRACTIONS ± 1/64		SHELTON, CT.	
DECIMALS ± .005		DR. BY <u>A.J.L.</u>	APP. BY .....
ANGLES ± 2°		TR. BY .....	SCALE <u>FULL</u>
		CHK'D. BY .....	DATE <u>6-8-76</u>

CODE 74545

2