

M-5904 2

LIST OF PARTS

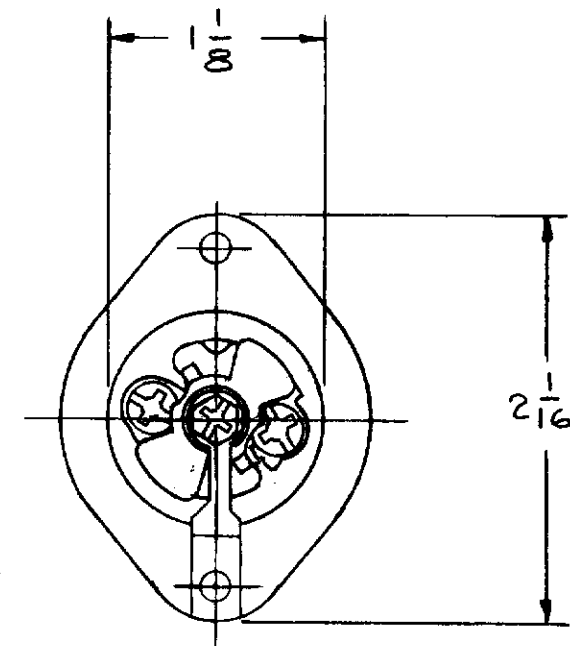
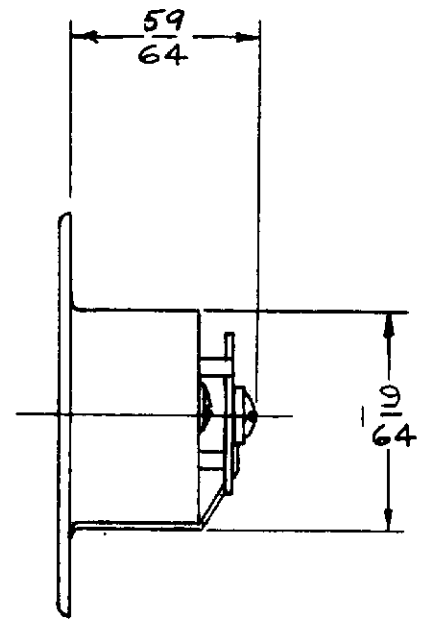
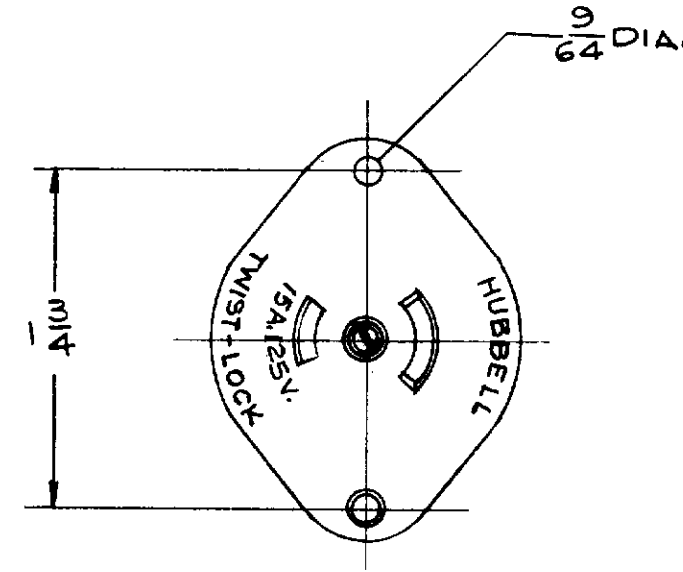
DESCRIPTION	MATERIAL	FINISH
BODY	NYLON	BLACK
BARRIER	NYLON	BLACK
CONT. SPR. BIND PL.	BRASS	1-WHITE
BIND. HD. SCREW	BRASS	1-WHITE
SHUNT	BRASS	
HEX. HD. SCREW	BRASS	GREEN
INSULATOR	NYLON	NATURAL
GR. CONTACT BLADE	BRASS	
TAPPED BUSHING	BRASS	

DIMENSION SHEET FOR CAT. NO. 7596 N

REPAIRABLE NON-REPAIRABLE

B M-5904

2



SYM	REVISIONS	APP	DATE
2	PICTORIAL CHANGE TO BOTTOM VIEW TO SHOW COMBO DRIVE SCREWS PER DCN 23087 RM	DJP	5/22/17
1	59/64 WAS 63/64 JNF	CS	2/14/92

TITLE
15A, 25V. 2-POLE 3-WIRE
MIDGET TWIST-LOCK FLANGED OUTLET
(NYLON)

TOLERANCES UNLESS OTHERWISE SPECIFIED
 FRACTIONS ± 1/64
 DECIMALS ± .005
 ANGLES ± 2°

HARVEY HUBBELL, INC.
 SHELTON, CT.
 DR. BY A.J.L. APP. BY _____
 TR. BY _____ SCALE FULL
 CHK'D. BY _____ DATE 6-8-76