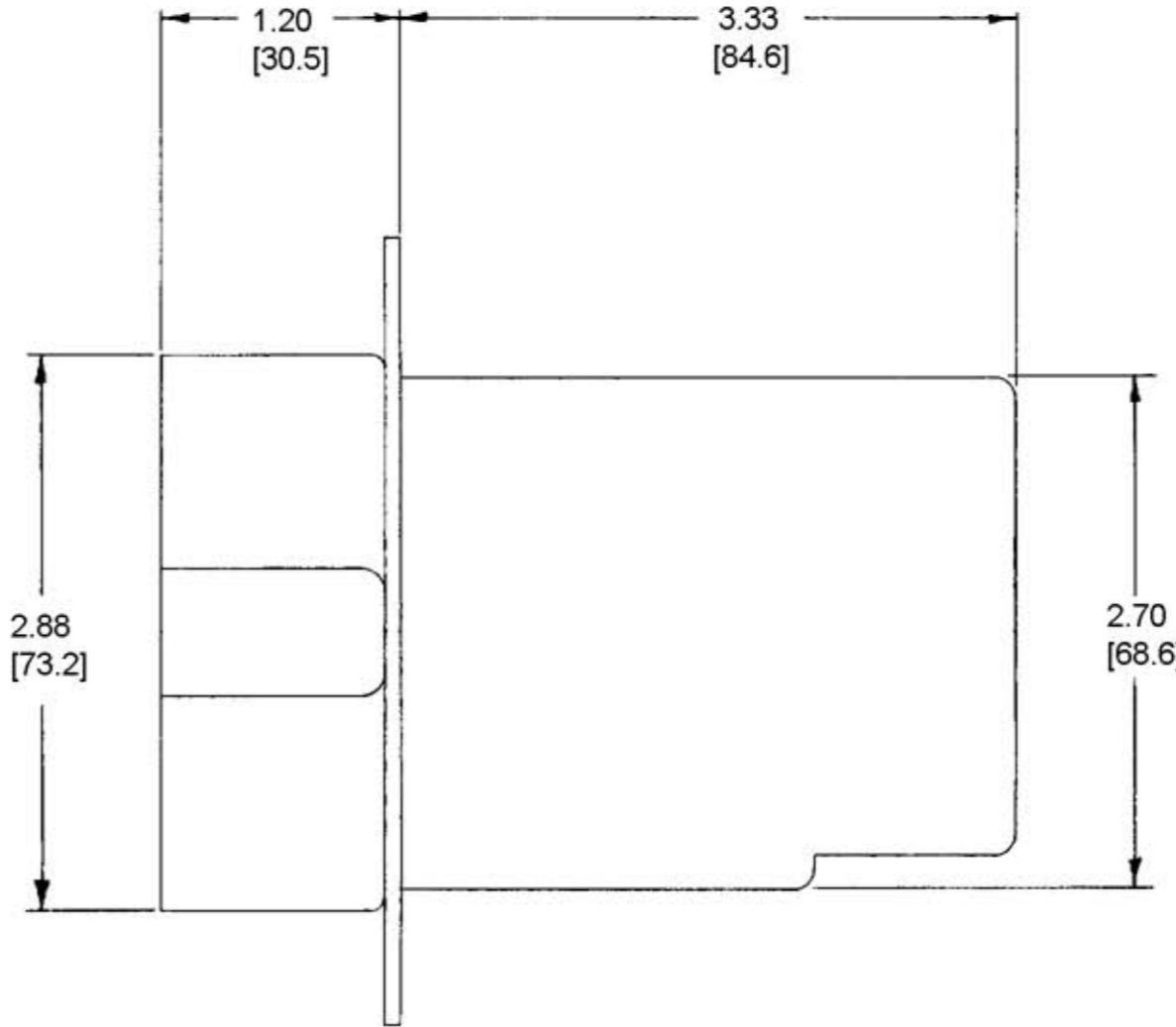
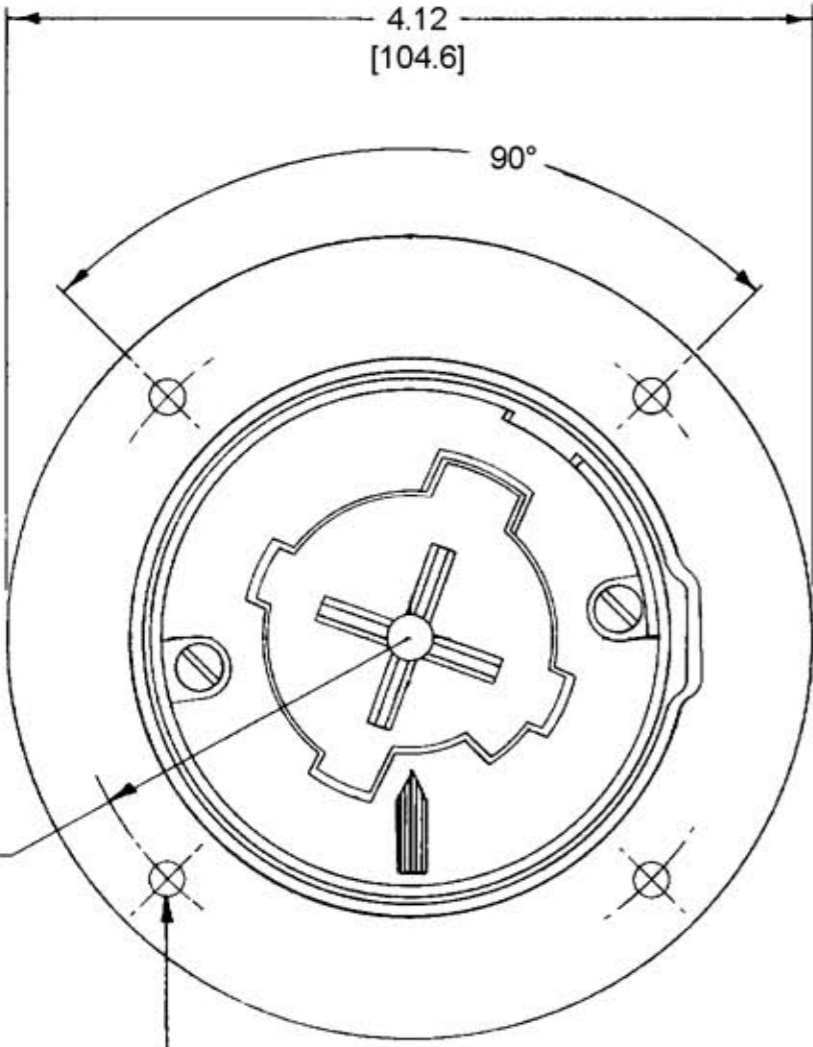


M-5906 1

LIST OF PARTS

DESCRIPTION	MATERIAL	FINISH
INSULATORS	DUREZ	BLACK
COVER	.062 STEEL	ZINC PL.
CONTACT SPRINGS	.040 COPPER	
GROUND SHUNT	.020 BRASS	
CLAMPS	ALUM.	WHITE
CLAMP SCREWS	STEEL	ZINC PL.
CENTER POST	STEEL	ZINC PL.
AUX. SPRING	.020 BRONZE	
COIL SPRING	.055 ST. WIRE	COPPER PL.
FLANGE	.078 C.R.S.	YELLOW



- NOTES:
 1. ALL DIMENSIONS TO BE IN INCHES.
 [mm]
 2. WIRE CAPACITY #6AWG TO #2AWG, SOLID OR STRANDED COPPER WIRE.

SYM	REVISIONS	APP	DATE
1	ADDED NOTES 1 & 2; HBL26421 WAS 26421; REVISED TITLE; CONVERTED ALL DIMS. TO DECIMAL & METRIC PER DCN 11902 RCM	JPP	1/21/05

DIMENSION SHEET FOR CAT. NO. HBL26421
 REPAIRABLE NON-REPAIRABLE
B
M-5906
1

TITLE
 60A 600VAC , 3 POLE, 4 WIRE
 GROUNDING HUBBELLOCK
 FLANGED OUTLET

TOLERANCES UNLESS OTHERWISE SPECIFIED
 FRACTIONS ± 1/64
 DECIMALS ± .005
 ANGLES ± 2°

HARVEY HUBBELL, INC.
 BRIDGEPORT, CONN.
 DR. BY KE APP. BY _____
 TR. BY _____ SCALE FULL
 CHK'D. BY _____ DATE 6-10-76