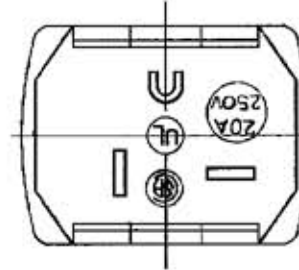
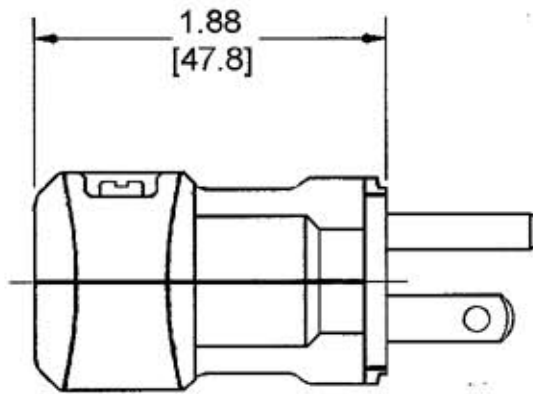
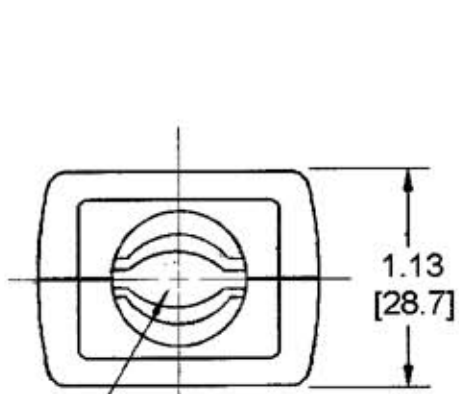
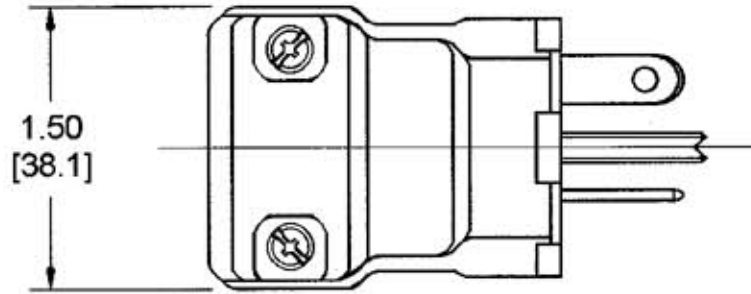


M-5974 1



USE ROUND CORD  
 TYPES 18/3 - 16/3 SV, SJ, S; 14/3 SJ WITH INSERTS; 14/3 - 12/3 WITHOUT INSERTS.  
 DIAMETER: .220 - .450 INCHES (5.5 - 11.3 MM) WITH INSERTS  
 .460 - .660 INCHES (11.5 - 16.5 MM) WITHOUT INSERTS.

NOTES: (UNLESS OTHERWISE SPECIFIED)

1) DIMENSIONS ARE: INCHES [MILLIMETERS]

2) .XX TOLERANCES TO BE ± .03

LIST OF PARTS

DESCRIPTION	MATERIAL	FINISH
HOUSING	NYLON	YELLOW
CONTACT BLADES	BRASS	
WIRE CLAMPS	STEEL	NICKEL PL.
BINDING SCREWS	STEEL	COPPER
HEX BIND'G SCREW	STEEL	GREEN
CORD CLAMP SCRS.	STEEL	ZINC PLATE

SYM	REVISIONS	APP	DATE
1	ADDED "NEMA 6-20P" TO TITLE AND NOTES 1 & 2. DUAL DIM.'S WERE FRACTIONAL. TRI-DRIVE SCREWS WERE STRAIGHT SLOT. IN LIST OF PARTS, "ZINC PLATE" WAS "YELL. CHRO." HBL5464VY WAS "5464VY". "USE ROUND CORD..." WAS "CORD CLAMPS TAKE CORDS FROM 29/64 TO 29/32 DIA." PER DCN #12944. JMN	DJP	5/23/06

DIMENSION SHEET FOR CAT. NO. HBL5464VY

REPAIRABLE  NON-REPAIRABLE

B

M-5974

1

**TITLE**  
 20A. 250V. 3 WIRE DEAD FRONT  
 NYLON VALISE PLUG  
 NEMA 6-20P

TOLERANCES UNLESS OTHERWISE SPECIFIED  
 FRACTIONS ± 1/64  
 DECIMALS ± .005  
 ANGLES ± 2°

**HARVEY HUBBELL, INC.**  
 BRIDGEPORT, CONN.

DR. BY ASM APP. BY  
 TR. BY SCALE FULL  
 CHK'D. BY DATE 5-16-77