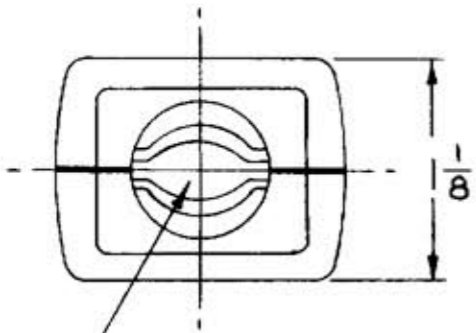
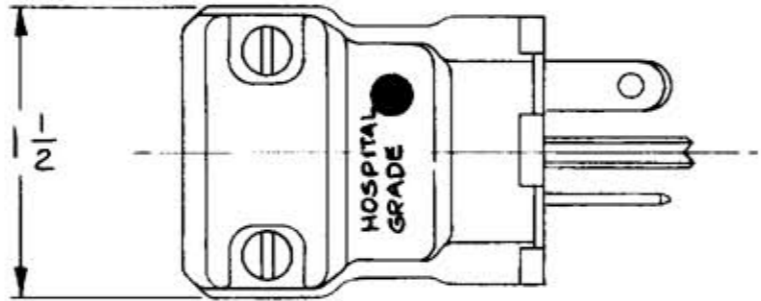
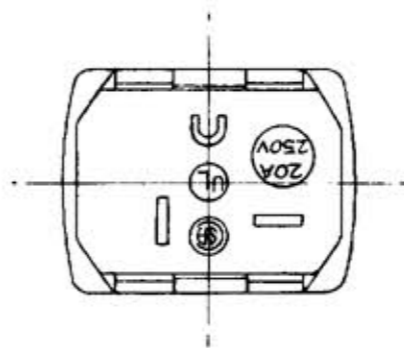
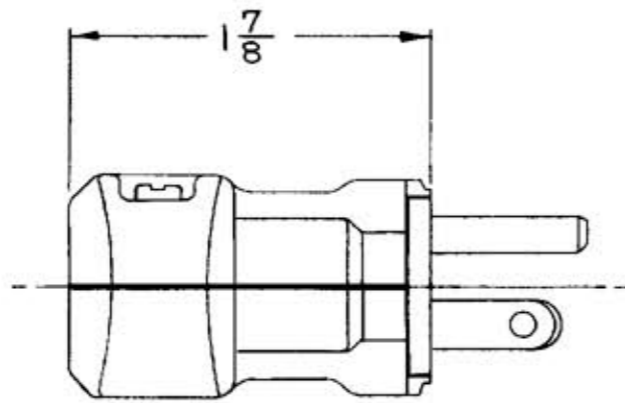


M-6101 1



CORD CLAMPS TAKE CORDS  
FROM  $\frac{29}{64}$  TO  $\frac{29}{32}$  DIA.



LIST OF PARTS

DESCRIPTION	MATERIAL	FINISH
HOUSING	NYLON	WHITE
CONTACT BLADES	BRASS	
WIRE CLAMPS	STEEL	NICKEL PL
BINDING SCREWS	STEEL	COPPER
HEX. BIND'G SCREW	STEEL	GREEN
CORD CLAMP SCR'S	STEEL	YELL. CHRO.

DIMENSION SHEET FOR CAT. NO. B424-V

REPAIRABLE  NON-REPAIRABLE

SYM	REVISIONS	APP	DATE
1	ROTATED LETTERING 180° HOUSING FINISH WAS NATURAL	KF	9-28-77

B M-6101

TITLE  
HOSPITAL GRADE 20A. 250V.  
3 WIRE DEAD FRONT  
NYLON VALISE PLUG

TOLERANCES UNLESS OTHERWISE SPECIFIED  
 FRACTIONS ± 1/64  
 DECIMALS ± .005  
 ANGLES ± 2°

HARVEY HUBBELL, INC.  
 BRIDGEPORT, CONN.

DR. BY KF APP. BY \_\_\_\_\_  
 TR. BY \_\_\_\_\_ SCALE FULL  
 CHK'D. BY \_\_\_\_\_ DATE 10-7-77