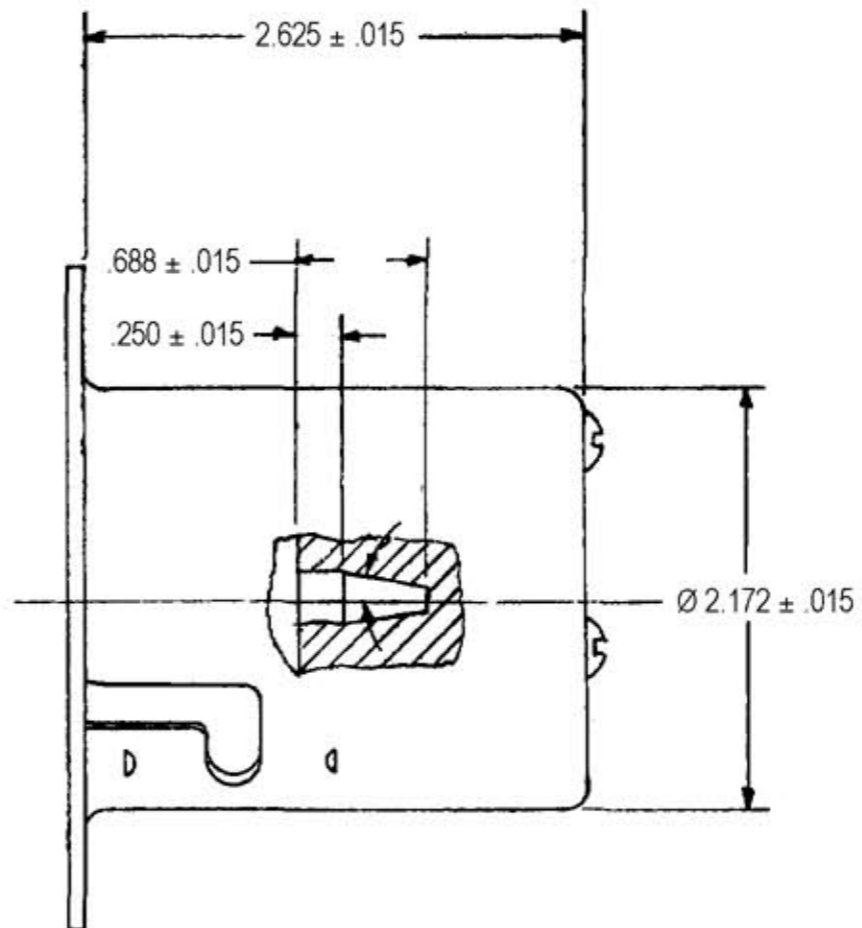
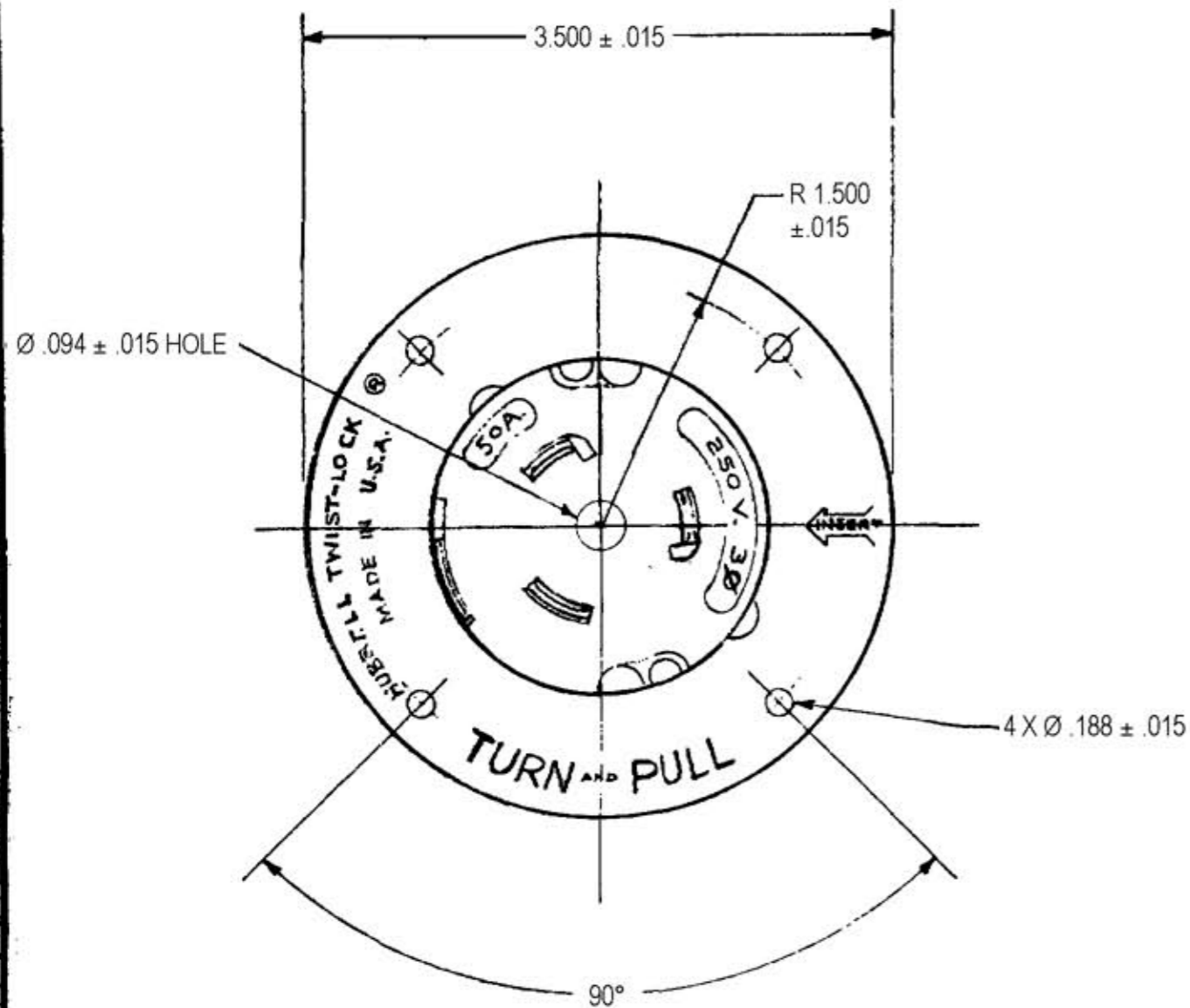


M-6156 1



LIST OF PARTS		
DESCRIPTION	MATERIAL	FINISH
INSULATORS	PHENOLIC	
CONTACT BLADES	100 BRASS	
TERMINALS	100 STEEL	BRASS
GE TERMINAL	102 COP	GREEN
CR SPRING	1025 BRZ	
PRESSURE SCREWS	STEEL	ZINC PL
FLANGED CASING	102 STEEL	ZINC PL
RD. HD. SCREWS	STEEL	ZINC PL

REPAIRABLE NON-REPAIRABLE

1	ALL DIMS CONVERTED TO 3 PL DECIMAL & TOL ADDED PER DCN #7772. AMZ DB	6/27/00
---	--	---------

SYM	REVISIONS	APP	DATE

CAT. NO. CS8375

TITLE 50A. 250 V. 3 ϕ 3 POLE
4 WIRE NON-INTERCHANGEABLE
TWIST-LOCK FLANGED INLET
WITH CENTER HOLE

TOLERANCES UNLESS OTHERWISE SPECIFIED		HARVEY HUBBELL, INC.	
FRACTIONS $\pm 1/64$		BRIDGEPORT, CONN.	
DECIMALS $\pm .005$		DR. BY: JCH	APP. BY:
ANGLES $\pm 2^\circ$		TR. BY:	SCALE: FULL
		CHK'D. BY:	DATE: 11-30-18