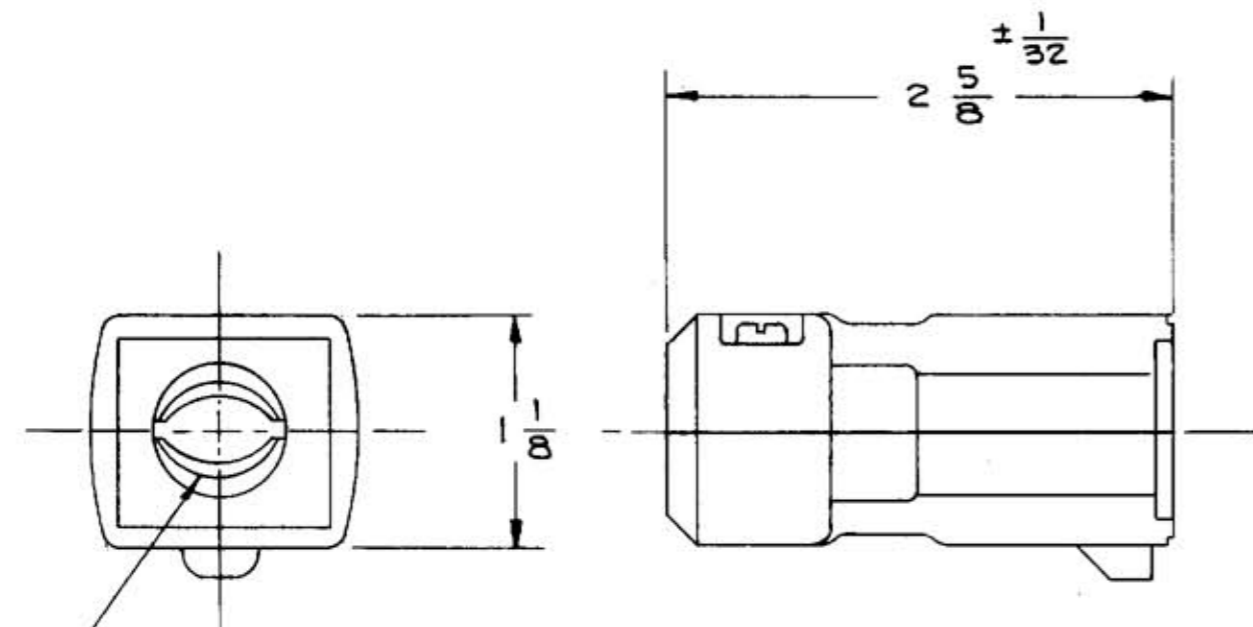
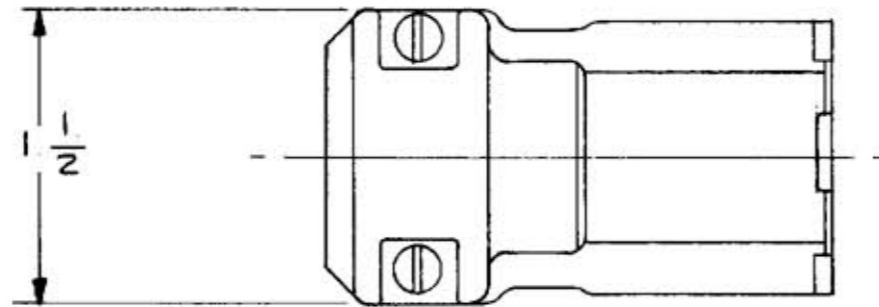


M-6196



CORD CLAMPS TAKE CORDS
FROM 29/64 TO 23/32 DIA.

LIST OF PARTS		
DESCRIPTION	MATERIAL	FINISH
HOUSING	NYLON	YELLOW
CONTACT BLADES	BRASS	
WIRE CLAMP NUT	C.R. STEEL	NICKEL
BINDING SCREW	STEEL	COPPER
WHITE BIND SCREW	STEEL	NICKEL
GR. BINDING SCREW	STEEL	GREEN
CORD CLAMP SCREW	STEEL	ZINC

DIMENSION SHEET FOR CAT. NO. 5369-VY

REPAIRABLE NON-REPAIRABLE

B M-6196

SYM.	REVISIONS	APP.	DATE

TITLE
20A. 125V. 3 WIRE GROUNDING
STRAIGHT BLADE VALISE
CONNECTOR

TOLERANCES UNLESS OTHERWISE SPECIFIED
 FRACTIONS ± 1/64
 DECIMALS ± .005
 ANGLES ± 2°

HARVEY HUBBELL, INC.
 BRIDGEPORT, CONN.

DR. BY P.M. APP. BY _____
 TR. BY _____ SCALE FULL
 CHK'D. BY _____ DATE 3-24-80

CODE 74545