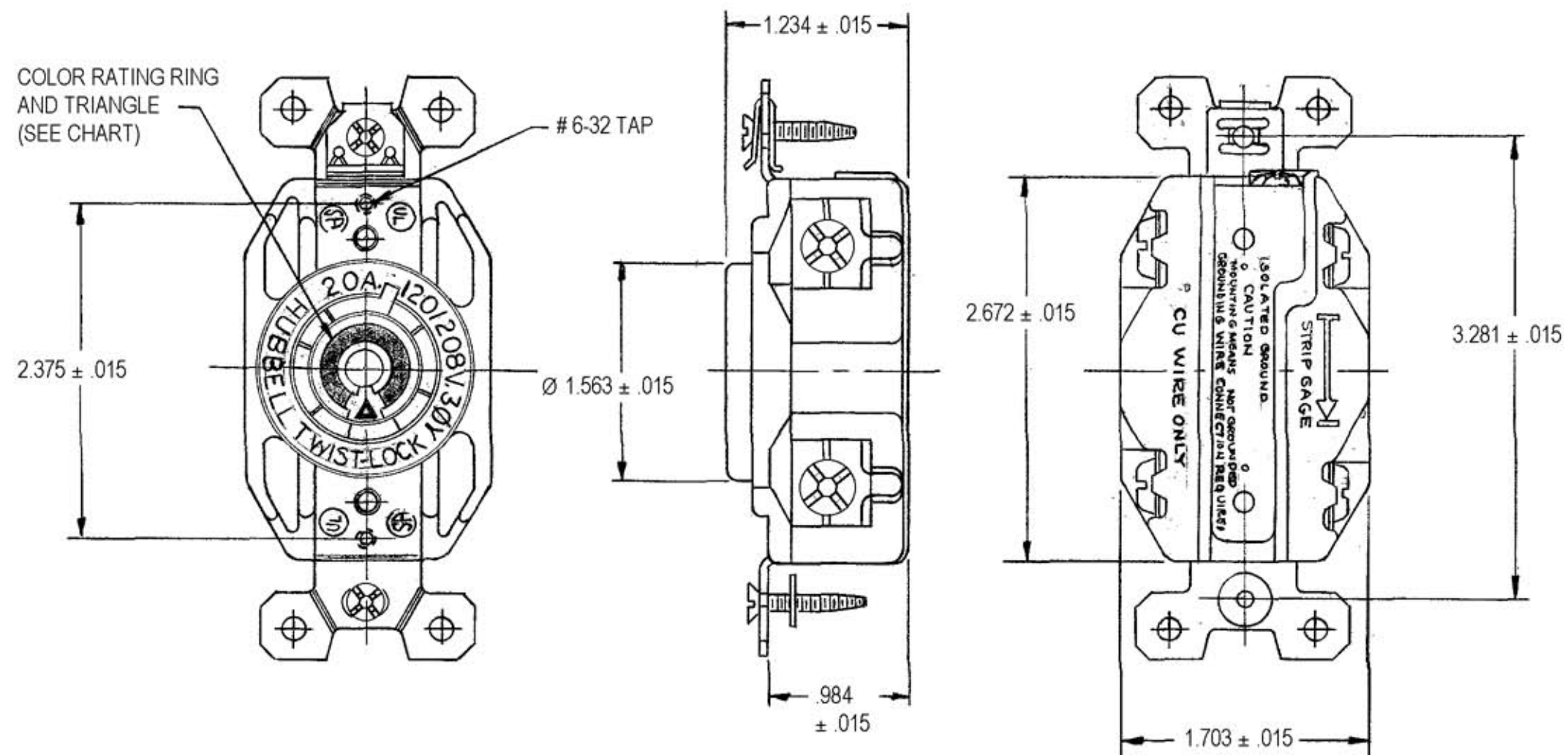


M-6473 3



CAT. NO.	CONFIGURATION	RATING	COLOR	
			RATING RING	△
1G-2510	NEMA L21-20R	20A. 120/208V 3ØY	BLUE	BLUE
1G-2520	NEMA L22-20R	20A. 277/480V 3ØY	RED	RED
1G-2530	NEMA L23-20R	20A. 347/600V 3ØY	BLACK	BLACK

LIST OF PARTS		
DESCRIPTION	MATERIAL	FINISH
BASE	POLYESTER	TAN
COVER	NYLON	ORANGE
CONTACT SPRINGS	.040BRASS	
CLAMP	.040BRASS	
BINDING SCREWS	BRONZE	*
HEX HEAD SCREW	BRONZE	GREEN
BACK PLATE	.040BRASS	
END PLATE	.050BRASS	
RIVET	BRASS	
GROUND CLIP	.010 SST	
WASHER	.031 FIBRE	RED
FLAT HD. MTG. SCR.	STEEL	
GROUND CLAMP	.078 STEEL	NICKEL P.

\* WHITE FINISH ON NEUTRAL SCREW WHEN USED.

3	CONVERTED ALL DIMS TO 3 PL DECIMAL & TOL ADDED, VIEW EDITED TO SHOW TRI-DRIVE SCREWS, CAT # 1G-2520 & 1G-2530 DSCONT PER DCN #7772. AMZ DB	6-30-00
2	CHD FINISH BASE, GRND CLIP REMOVED FROM CAT # EC 7252	10-3-99
1	CONTACT SPRING MTL. WGE. 040 BRONZE ASL	8-6-84
SYM.	REVISIONS	APP DATE

TITLE  
**20A. 4-POLE 5-WIRE  
 GROUNDING TWIST-LOCK RECEPTACLE  
 WITH ISOLATED GROUND**

TOLERANCES UNLESS OTHERWISE SPECIFIED		HARVEY HUBBELL, INC.	
FRACTIONS ± 1/64		BRIDGEPORT, CONN.	
DECIMALS ± .005"		DR. BY <u>A.J.L.</u>	APP. BY _____
ANGLES ± 2°		TR. BY _____	SCALE <u>1:1</u>
		CHK'D. BY _____	DATE <u>10-24-85</u>

DIMENSION SHEET FOR CAT. NO. SEE TABLE  
 REPAIRABLE  NON-REPAIRABLE   
**B M-6473 3**