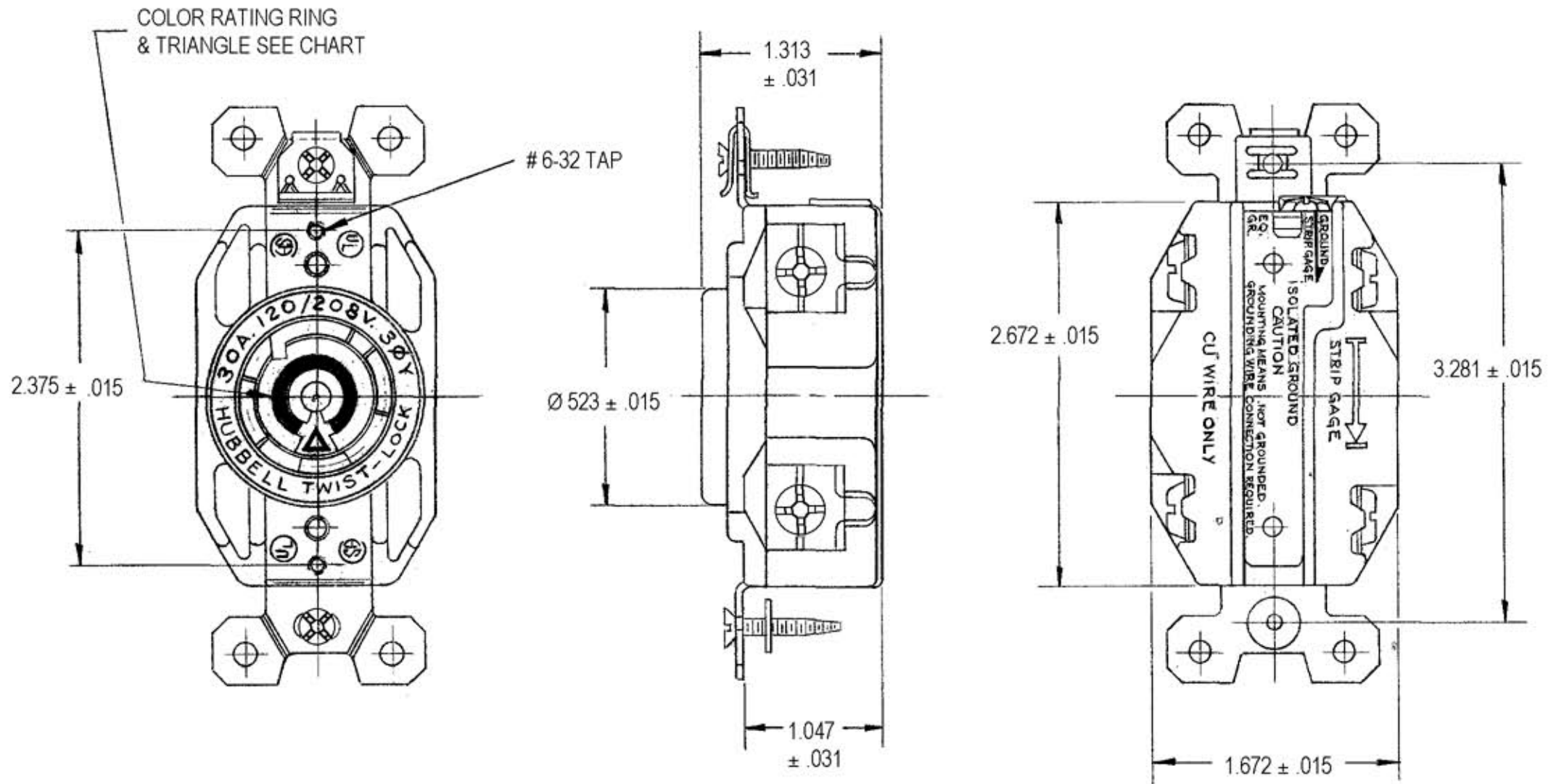


M-6477 3



CAT. NO.	CONFIGURATION	RATING	COLOR	
			RATING RING	△
1G-2810	NEMA L21-30R	4 POLE 5 WIRE GR. 120/208V. 3Ø Y	BLUE	BLUE
1G-2820	NEMA L22-30R	4 POLE 5 WIRE GR. 277/480V. 3Ø Y	RED	RED
1G-2830	NEMA L23-30R	4 POLE 5 WIRE GR. 347/600V. 3Ø Y	---	---

DESCRIPTION	MATERIAL	FINISH
BASE	POLYESTER	TAN
COVER	NYLON	ORANGE
CONTACT SPRINGS	.040 BRASS	
CLAMPS	.040 BRASS	
RIVET	BRASS	
BINDING SCREWS	BRONZE	*
HEX. HD. BIND. SCR.	BRONZE	GREEN
BACK PLATE	.040 BRASS	
END PLATES	.050 BRASS	
GROUND CLIP	.010 SST	
FLAT HD. SCREW	STEEL	
WASHER	.031 FIBRE	RED

* WHITE FINISH ON NEUTRAL SCREW WHEN USED.

SYM	REVISIONS	APP	DATE
3	CONVERTED ALL DIMS TO 3 PL DECIMAL, REVISED VIEW TO SHOW TRI-DRIVE SCREWS, DSCONT CAT # 1G-2820 & 1G2830 PER DCN 7772. AMZ DB		7-5-00
2	CHGD FINISH AN FROM CAT # EC7252 TO DB		10-3-99
1	CONTACT SPRING MATL. WAS .040 BRASS ALL		8-6-86

THE DESIGN AND DIMENSIONS OF THE PRODUCT SHOWN ON THIS DRAWING ARE SUBJECT TO CHANGE WITHOUT NOTICE.

TITLE
30A. 4 POLE 5 WIRE TWIST-LOCK RECEPTACLE WITH ISOLATED GROUND

TOLERANCES UNLESS OTHERWISE SPECIFIED	WIRING DEVICE DIVISION HARVEY HUBBELL, INC. BRIDGEPORT, CONN.	
FRACTIONS ± 1/64	DR. BY <u>ASM</u>	APP. BY _____
DECIMALS ± .005	TR. BY _____	SCALE <u>1=1</u>
ANGLES ± 2°	CHK'D. BY _____	DATE <u>10-30-85</u>

DIMENSION SHEET FOR CAT. NO. REPAIRABLE NON-REPAIRABLE **B M-6477 3**