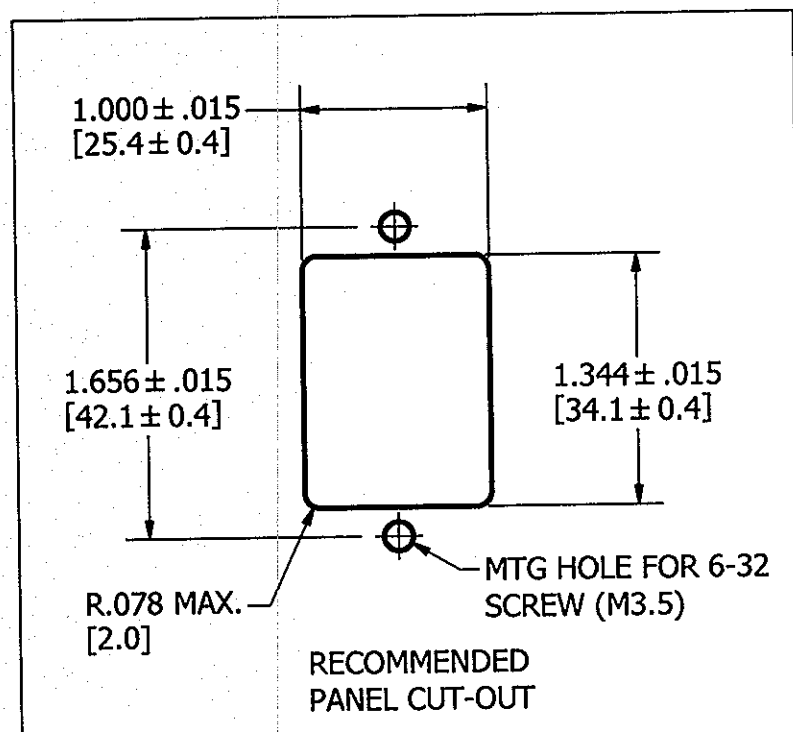
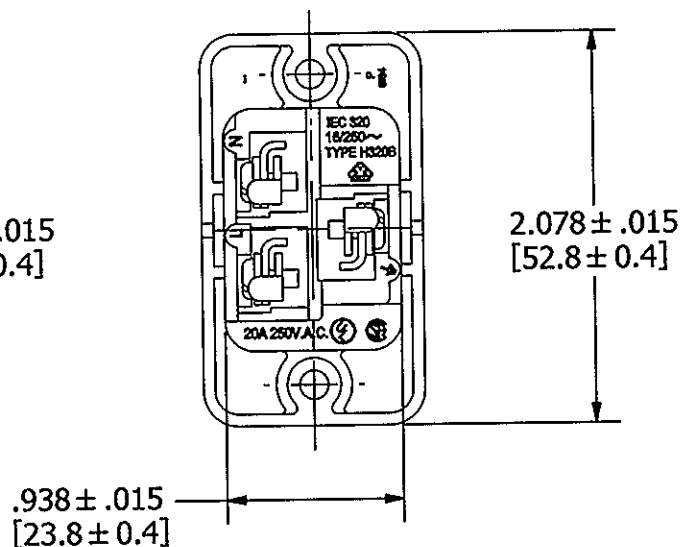
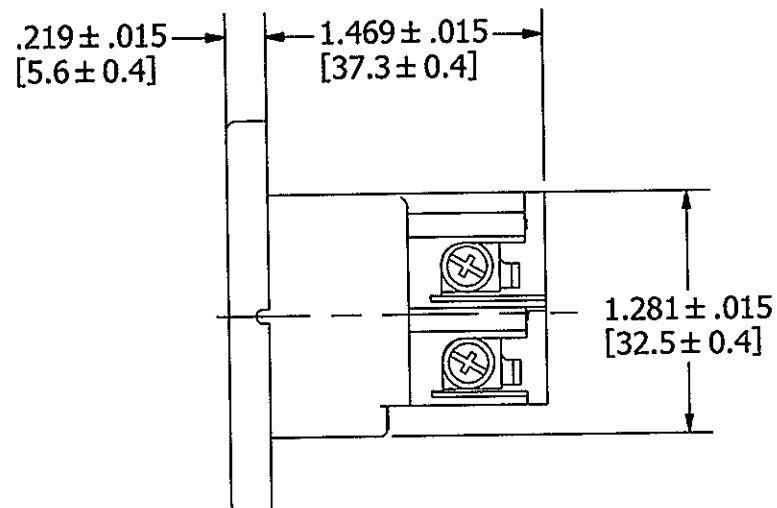
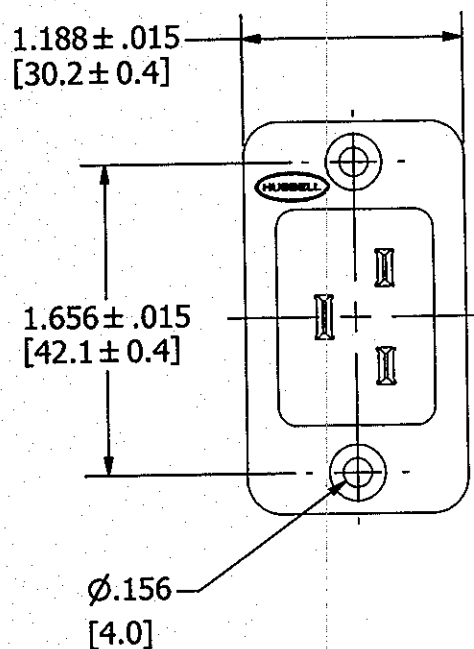


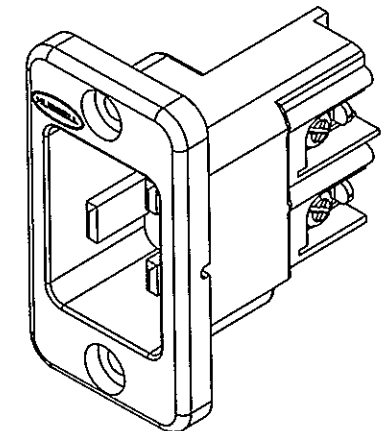
M-6564

3



TERMINAL ACCOMODATION:
 NORTH AMERICAN
 #16 AWG-#12 AWG
 INTERNATIONAL
 1.5mm²-2.5mm²

LIST OF PARTS		
DESCRIPTION	MATERIAL	FINISH
HOUSING	POLYESTER	BLACK
POWER BLADE	BRASS	
GROUND BLADE	BRASS	
WIRE BIND, CLAMP	STEEL	NICKEL PL.
BIND. SCREW	STAIN. ST.	BLACK
GR. BINDING SCR.	STAIN. ST.	GREEN



CATALOG NO. H320B
(NOT SHOWN TO SCALE)

3	REDRAWN WITH EMBEDDED CAD MODEL WITH NO CHANGES TO PART GEOMETRY. PER DCN 21895 SPN	DJP	2/5/16
		<i>DJP</i>	
REV	DESCRIPTION	APP	DATE

THE DESIGN AND DIMENSIONS OF THE PRODUCT SHOWN ON THIS DRAWING ARE SUBJECT TO CHANGE WITHOUT NOTICE

TITLE
 20/16A 250 V.A.C. THREE-WIRE
 I.E.C. STRAIGHT BLADE INLET

TOLERANCES UNLESS OTHERWISE SPECIFIED .XX = ± .01 .XXX = ± .005 ANGLES = ± 2'	WIRING DEVICE-KELLEMS HUBBELL INCORPORATED SHELTON, CT	
	DR. BY AJL	APP. BY
	TR. BY	SCALE 1:1
	CHK. BY	DATE 6-4-87

DIMENSION SHEET FOR CAT. NO. H320B

REPAIRABLE NON-REPAIRABLE

B

M-6564

3