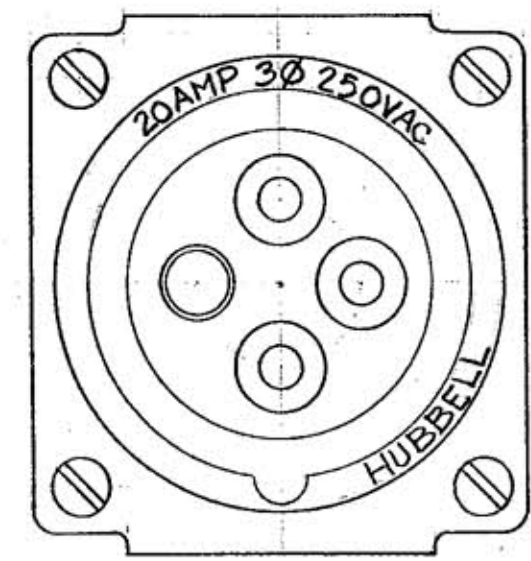
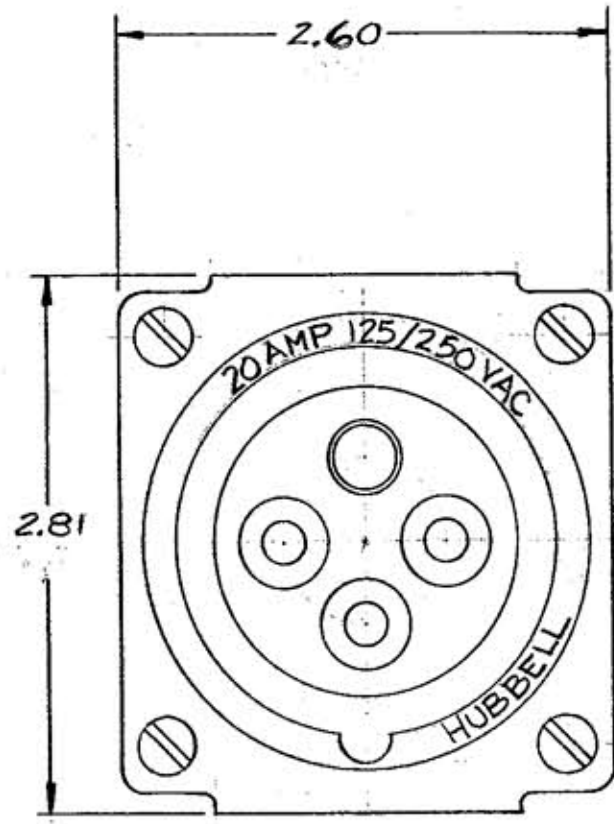


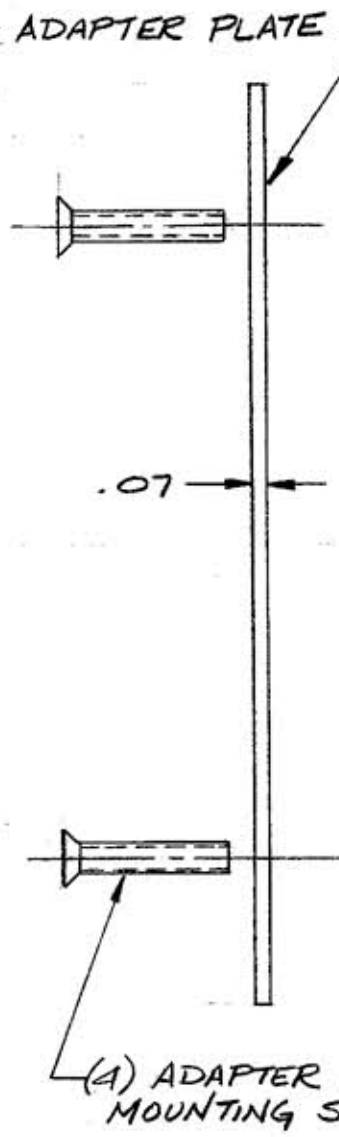
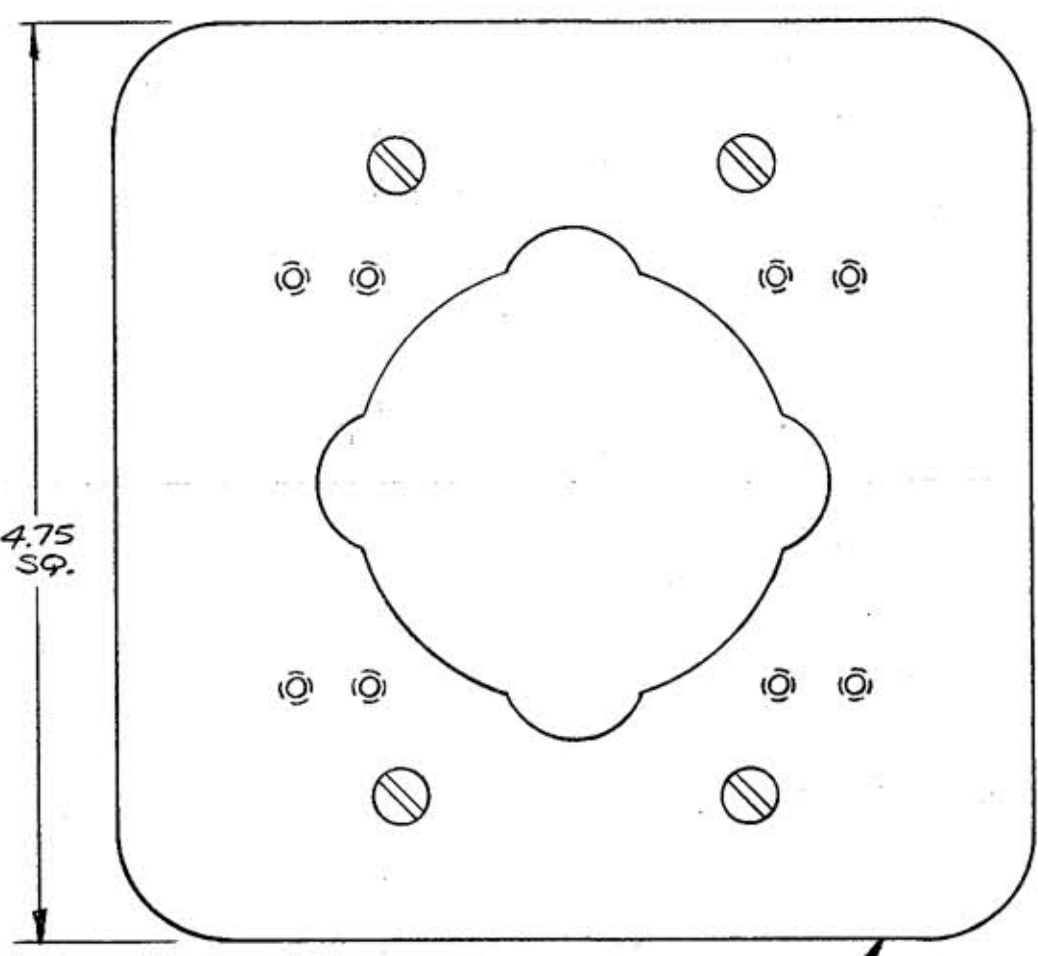
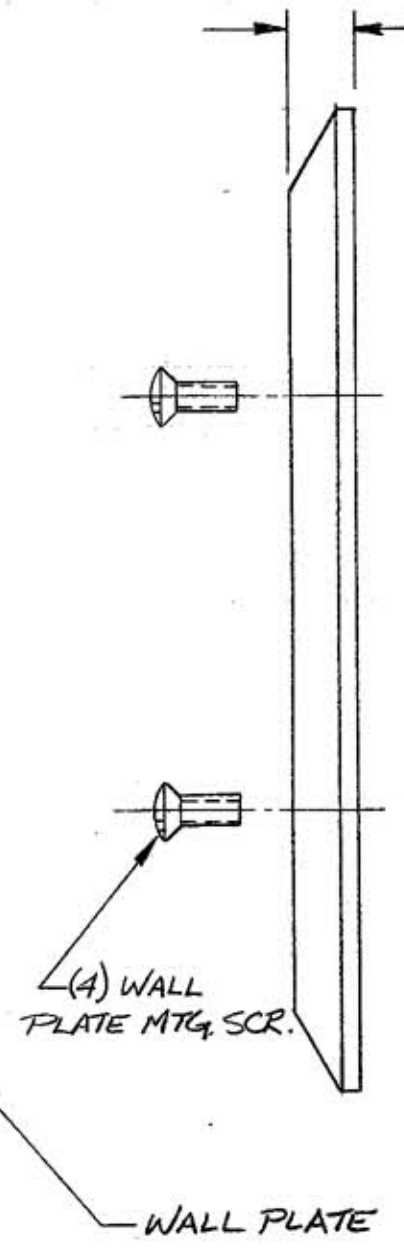
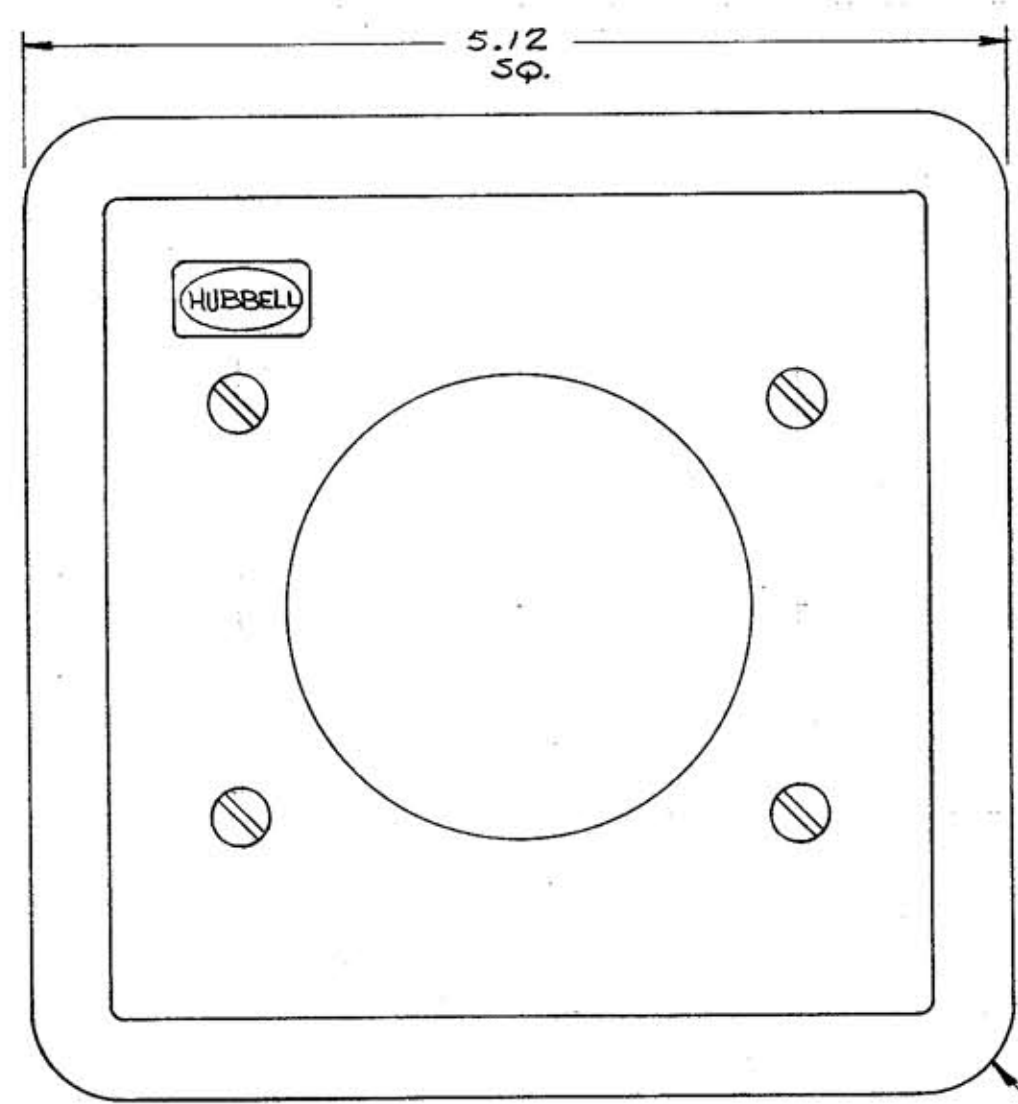
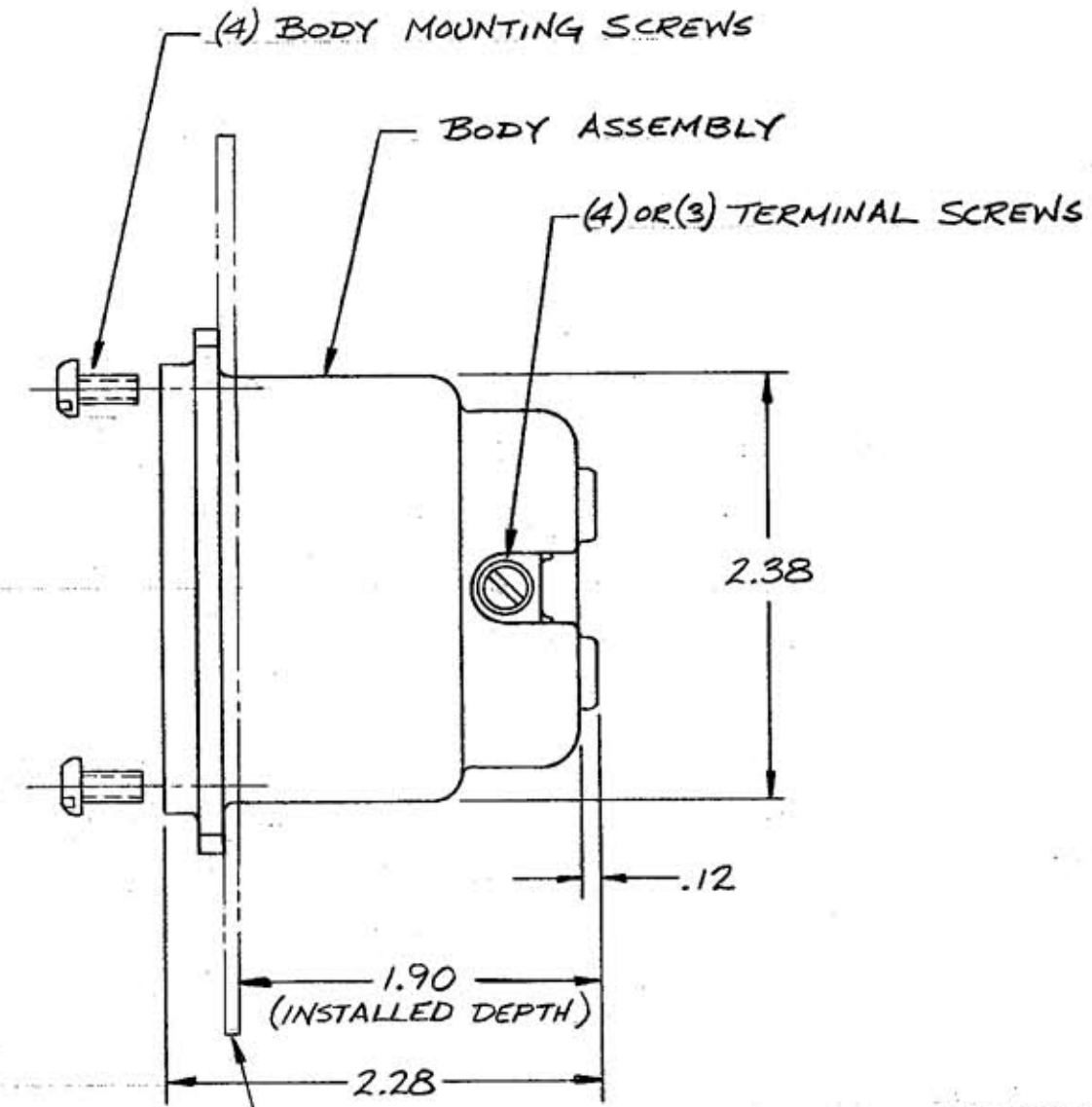
CAT. No. : L320R4
(BODY-YELLOW)



CAT. No. : L420R9
(BODY-BLUE)



CAT. No. : L420R12
(BODY-ORANGE)



- MATERIALS:**
- BODY-----NYLON ZYTEL 101-L
 - SLEEVE CARRIER-----NYLON ZYTEL 101-L
 - WALL PLATE-----NYLON ZYTEL 101-L
 - ADAPTER PLATE-----GALVANIZED STEEL
 - SLEEVES-----BRASS CDA #360
 - TERMINAL SCREWS(4)-----300 SERIES SST.
 - WALL PLATE SCREWS(4)-----ZINC PLATED STEEL
 - ADAPTER PLATE SCREWS(4)-----ZINC PLATED STEEL
 - MTG SCREWS(4)-----ZINC PLATED STEEL

- PRODUCT INFORMATION:**
1. THIS PRODUCT IS NOT WATER TIGHT.
 2. SHIPPED WITH WALL PLATE, ADAPTER PLATE, WALL PLATE SCREWS, ADAPTER SCREWS AND MTG SCREWS UNASSEMBLED.
 3. BODY ASSEMBLY IS PRE-ASSEMBLED CONSISTING OF BODY, SLEEVE CARRIER, SLEEVES, TERMINAL SCREWS AND (2) BODY ASSY SCREWS (300 SERIES SST.).
 4. COLOR, RATING, AND CONTACT CONFIG. IS COMPATIBLE WITH IEC 309-2.
 5. APPROVALS: UL LISTED, CSA CERTIFIED.

REVISIONS
5-1-89 "X" REMOVED
LAST X WAS X-0
J. SANDOR

TITLE 20 AMP LOW PROFILE P&S WALL MOUNT RECEPTACLE	
WIRING DEVICE DIVISION HARVEY HUBBELL, INC. BRIDGEPORT, CONN.	
DR. BY <i>JLS</i>	APP. BY
PROJECT NO. 999	SCALE 1:1
CHK. BY	DATE 5-1-89
DR. NO. M-6792	
SHEET 1 OF 1	

"IN ACCEPTING OUR DRAWINGS OR BLUEPRINTS FOR QUOTATION OR OTHER PURPOSES, YOU AGREE NOT TO DISCLOSE TO OTHERS THE IDEAS, INFORMATION, OR DESIGNS THEREIN SHOWN, AND THAT YOU WILL MAKE NO USE OF OUR DRAWINGS OR BLUEPRINTS OR OF THE IDEAS, INFORMATION OR DESIGNS THEREIN SHOWN WITHOUT OUR PERMISSION."
M-6792