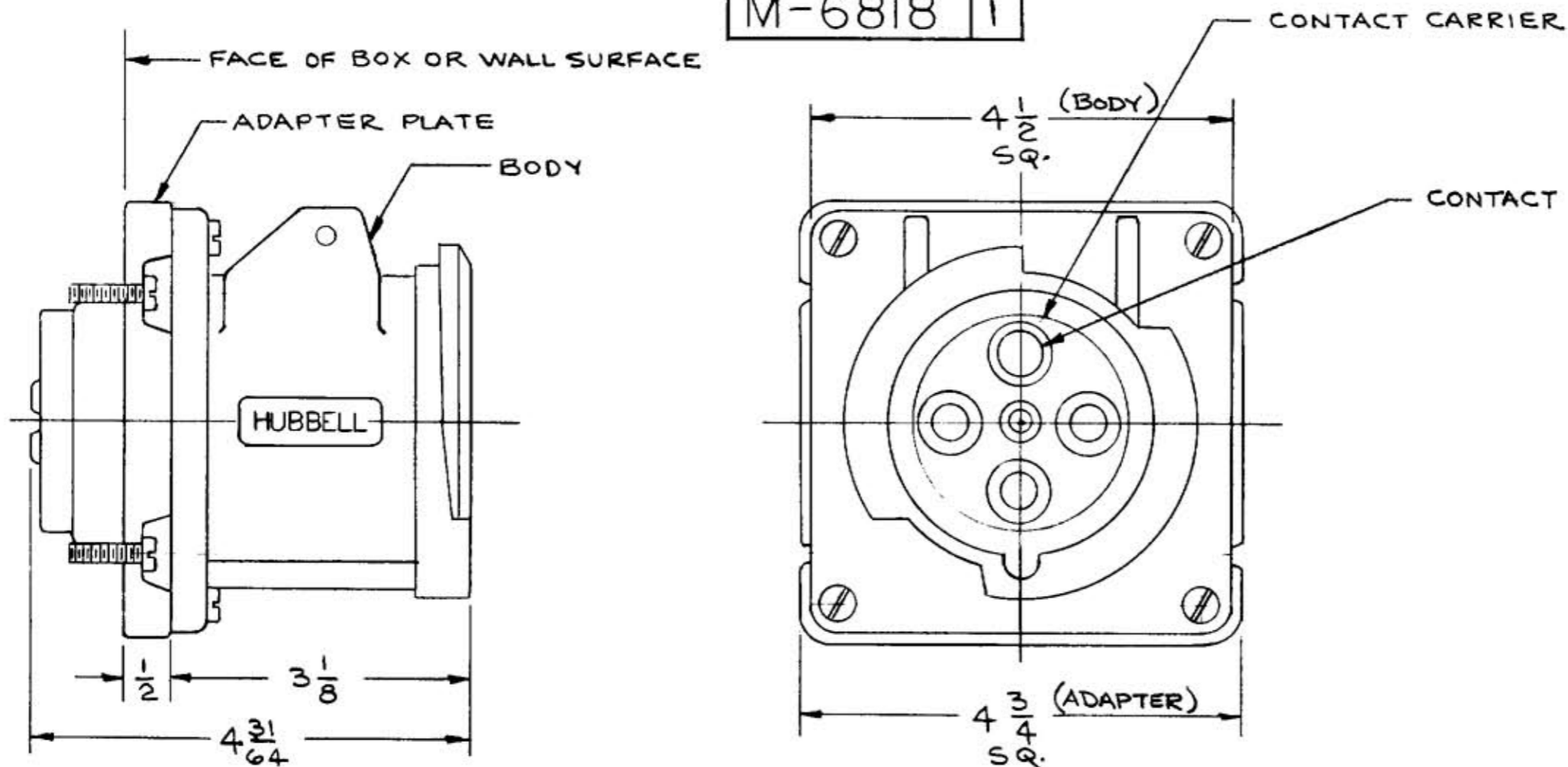


M-6818 1



LIST OF PARTS		
DESCRIPTION	MATERIAL	FINISH
BODY	NYLON	
ADAPTER	ALUMINUM	
CONTACT	BRASS	
CONTACT CARRIER	POLYESTER	
#6 MTG. SCREW	STEEL	ZINC PL.
#8 MTG. SCREW	STEEL	ZINC PL.
#10 MTG. SCREW	STAIN. ST.	
TERMINAL SCREWS	STAIN. ST.	

- NOTE:
- 1.) THIS DEVICE IS NOT WATER TIGHT
 - 2.) SHIPPED WITH BODY, CONTACT CARRIER ASSY AND ADAPTER PLATE UNASSEMBLED. ASSEMBLY SCREWS SUPPLIED
 - 3.) TERMINAL WIRE CAPACITY - #4 AWG MAX.
 - 4.) COLOR RATING AND CONFIGURATION IS COMPATIBLE WITH IEC 309-2
 - 5.) APPROVALS - UL LISTED, C.S.A. CERTIFIED.
 - 6.) 4-#6 MTG. SCREWS TO MOUNT ADAPTER PLATE TO 2 GANG BOX OR RAISED BOX COVER
4-#8 MTG. SCREWS TO MOUNT ADAPTER PLATE TO 4 11/16 BOX
 - 7.) 4-#10 MTG. SCREWS TO MOUNT BODY TO ADAPTER PLATE
 - 8.) GREEN PIG TAIL SUPPLIED FOR GROUNDING TO METALIC WIRING SYSTEM

CAT. NO.	RATING	COLOR
A 460 R9	60A 3Ø 250 VAC.	BLUE
A 460 R12	60A 125/250 VAC.	ORANGE
A 360 R6	60A 250 VAC	BLUE

REPAIRABLE <input type="checkbox"/>	NON-REPAIRABLE <input checked="" type="checkbox"/>
-------------------------------------	--

SYM	REVISIONS	APP	DATE
1	A360R6 ADDED PER DCS 209210 MM		6-24-93

THE DESIGN AND DIMENSIONS OF THE PRODUCT SHOWN ON THIS DRAWING ARE SUBJECT TO CHANGE WITHOUT NOTICE.

DO NOT SCALE DWG.

TITLE 60 A PIN & SLEEVE
RECEPTACLE WITH ADAPTER PLATE

TOLERANCES UNLESS OTHERWISE SPECIFIED		WIRING DEVICE DIVISION HARVEY HUBBELL, INC. BRIDGEPORT, CONN.	
FRACTIONS ± 1/64	DR. BY <u>AJL</u>	APP. BY	
DECIMALS ± .005	TR. BY	SCALE <u>2</u>	
ANGLES ± 2°	CHK'D. BY	DATE <u>10-4-89</u>	

DIMENSION SHEET FOR CAT. NO. A 460 R9, A 460 R12
REPAIRABLE NON-REPAIRABLE B M-6818 1