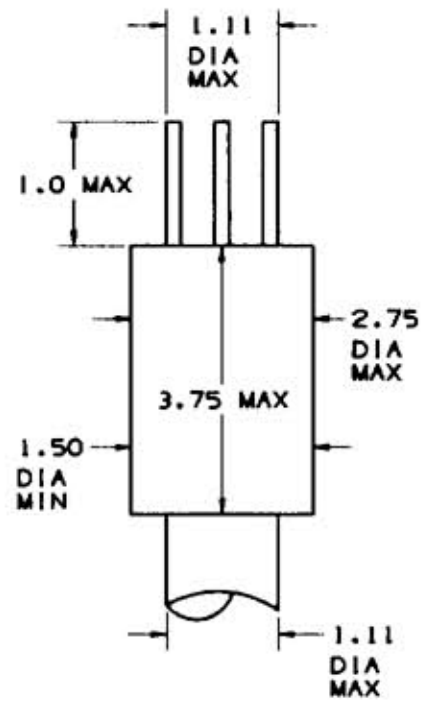


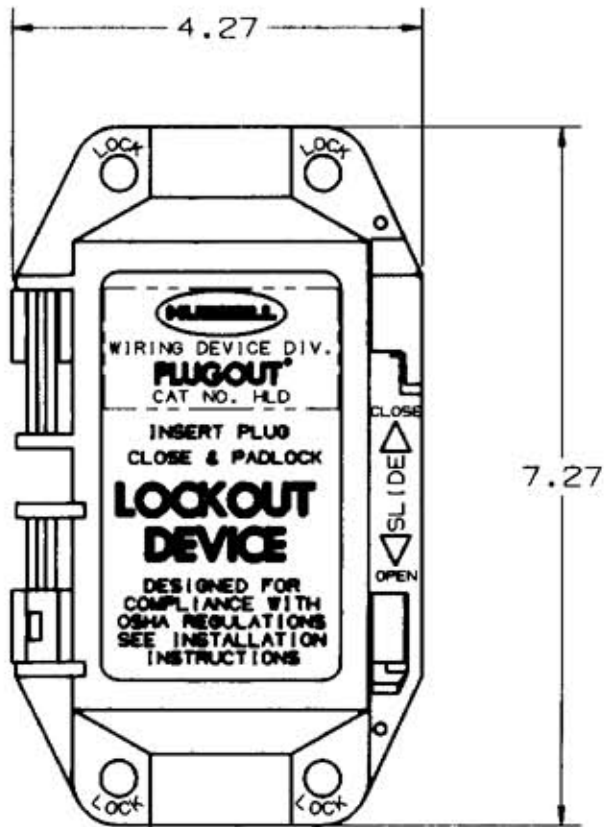
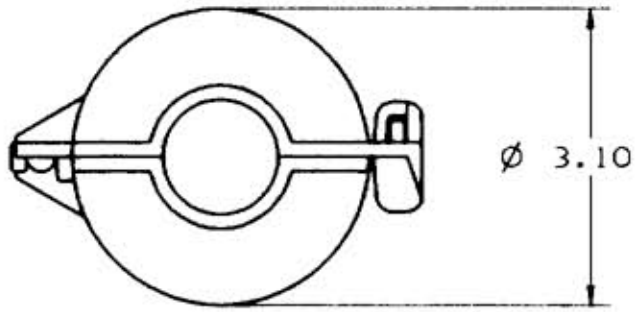
**M-6938** | 1

DIMENSION SHEET FOR CAT. NO. HLD



RECOMMENDED PLUG SIZES AND POSITION  
PATENT PENDING

INFORMATION SHOWN ON INSIDE OF TOP & BOTTOM HALVES  
SCALE 1:1



LIST OF PARTS

DESCRIPTION	MATERIAL	FINISH
TOP & BOTTOM HALVES	PLOYOLEFIN	YELLOW

REPAIRABLE  NON-REPAIRABLE

SYM	REVISIONS	APP	DATE
1	"X" REMOVED: LAST X-REVISION WAS X-0 PER DCN #235B. JMN WUH		11/9/93

THE DESIGN AND DIMENSIONS OF THE PRODUCT SHOWN ON THIS DRAWING ARE SUBJECT TO CHANGE WITHOUT NOTICE

TITLE  
LOCKOUT DEVICE

TOLERANCES UNLESS OTHERWISE SPECIFIED FRACTIONS ± 1/64 DECIMALS ± .005 ANGLES ± 2°	WIRING DEVICE DIVISION HUBBELL, INCORPORATED BRIDGEPORT, CT	
	DR. BY JMN	APP. BY WUH
	TR. BY	SCALE 1:2
	CHK'D BY	DATE 11/9/93

**B** M-6938 | 1