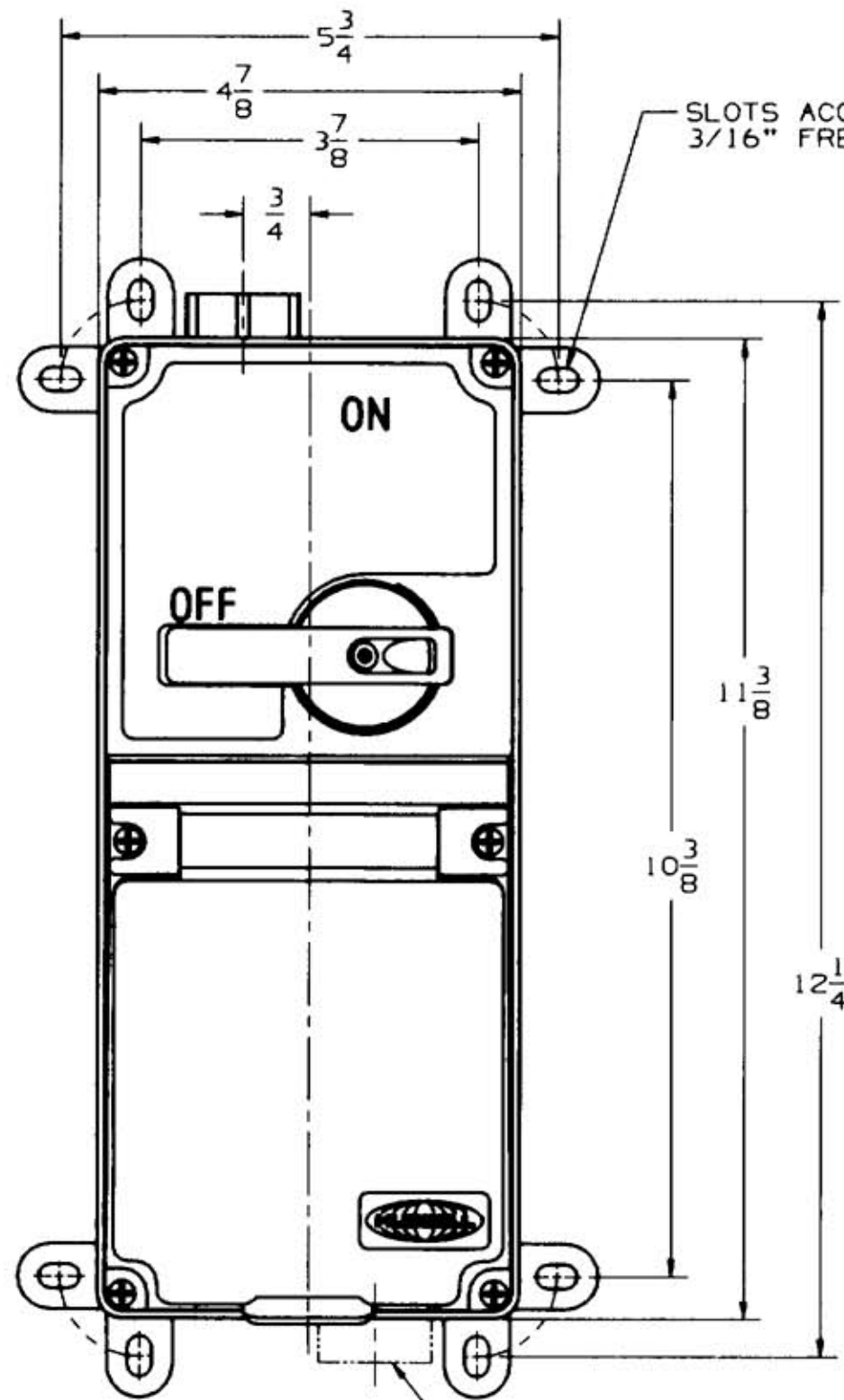
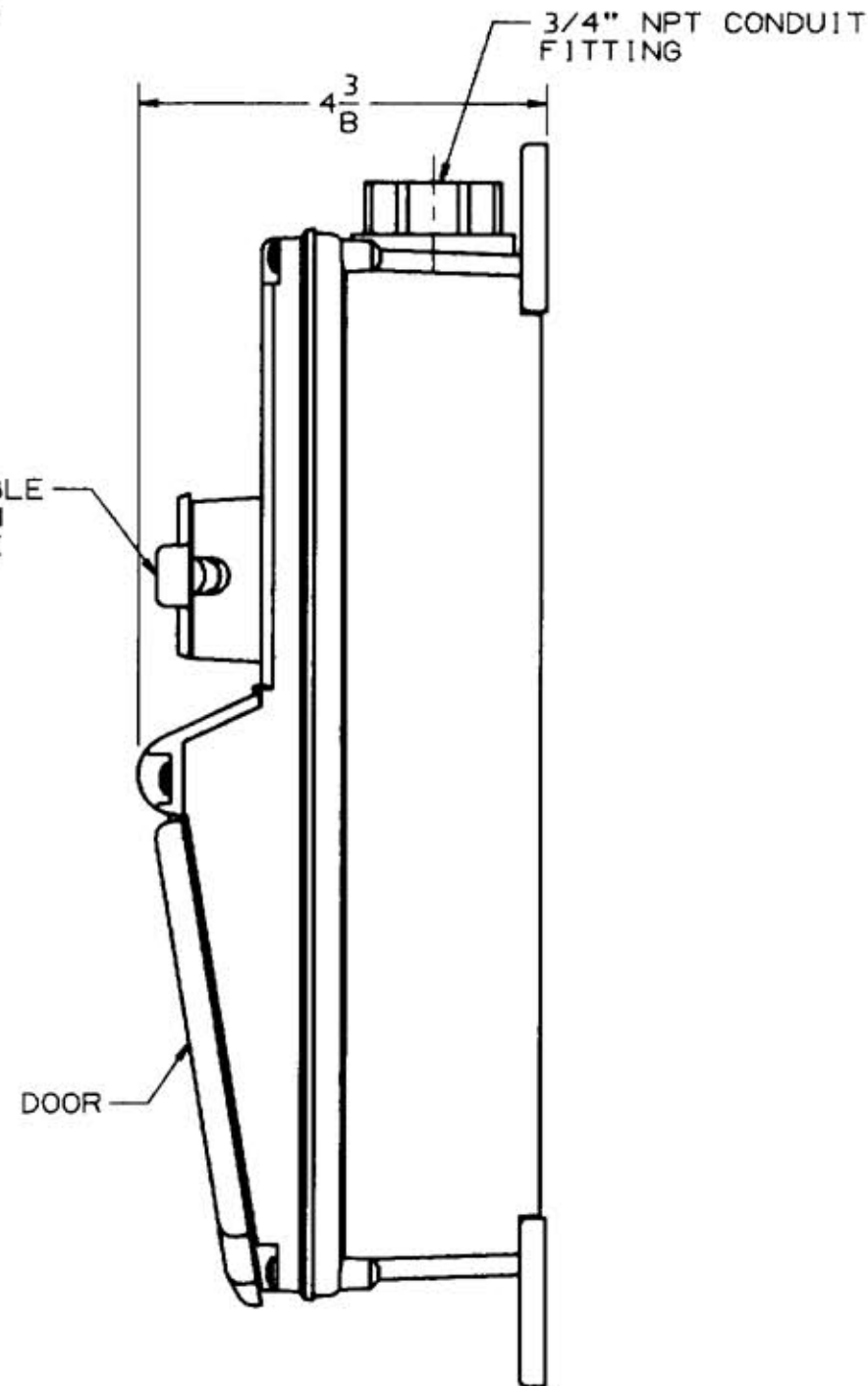


M-6975 1



SLOTS ACCEPT 1/4" SCREWS
3/16" FREE PLAY IN SLOTS



| LIST OF PARTS | | |
|----------------------------------|---|--------|
| DESCRIPTION | MATERIAL | FINISH |
| ALL EXTERNAL PLASTIC PARTS | UV STABILIZED POLYESTER/POLYCARBONATE BLEND | |
| FRAME | GALVANIZED STEEL | |
| ALL EXTERNAL SCREWS AND HARDWARE | STAINLESS STEEL | |
| CONDUIT HUB | ALUMINUM | |

DIMENSION SHEET FOR CAT. NO. SETL 3

REPAIRABLE NON-REPAIRABLE

| 1 | RELEASED PER DCN #1069 RCM | AE | 3/2/92 |
|-----|----------------------------|-----|--------|
| SYM | REVISIONS | APP | DATE |

THE DESIGN AND DIMENSIONS OF THE PRODUCT SHOWN ON THIS DRAWING ARE SUBJECT TO CHANGE WITHOUT NOTICE

B

M-6975

1

TITLE
DIM. SHEET FOR SWITCHED TWIST-LOCK ENCLOSURE (W/O RECEPTACLE)

TOLERANCES UNLESS OTHERWISE SPECIFIED
FRACTIONS ± 1/64
DECIMALS ± .005
ANGLES ± 2°

WIRING DEVICE DIVISION
HUBBELL, INCORPORATED
BRIDGEPORT, CT
DR. BY RCM APP. BY
TR. BY SCALE $\frac{1}{1}$
CHK'D BY *AE* DATE 2/29/92