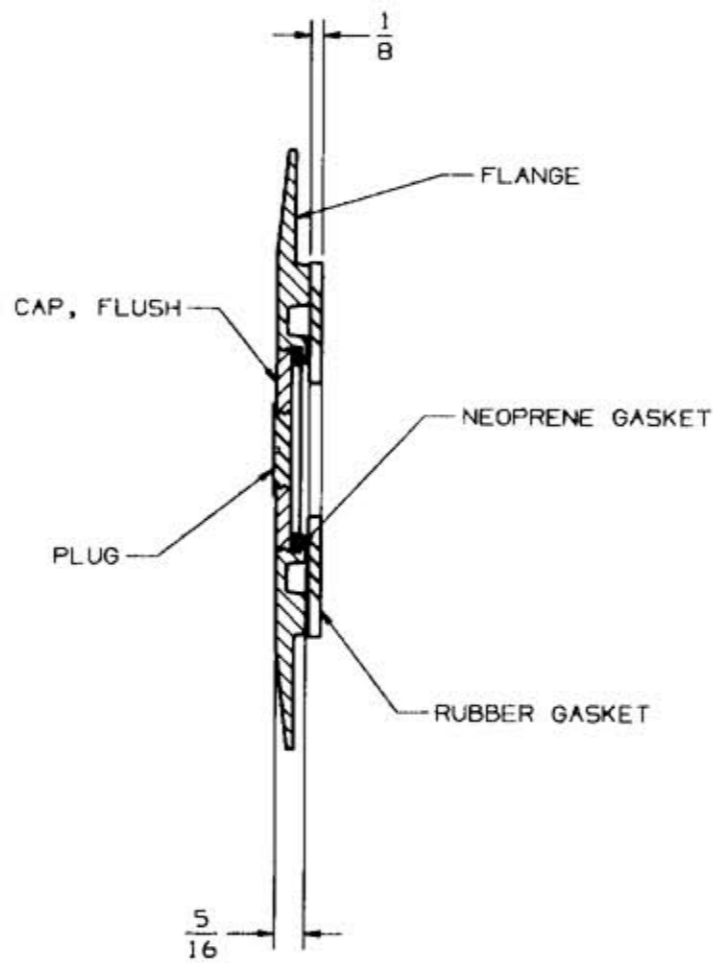
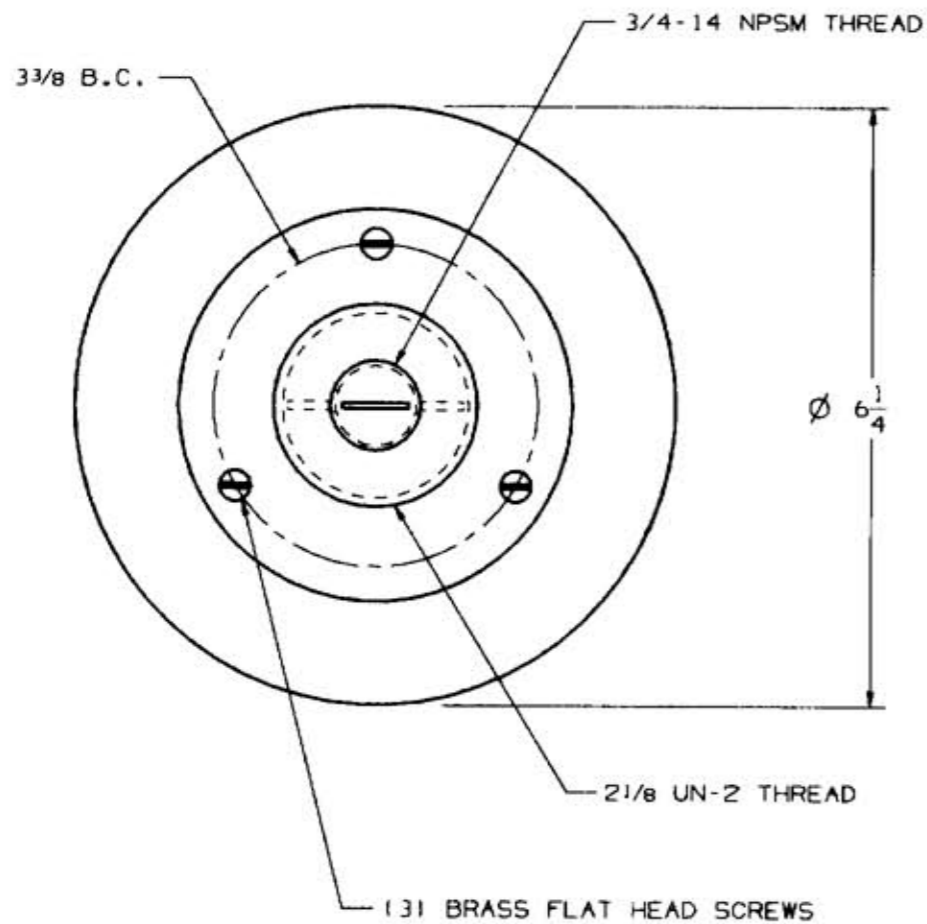


M-7085

LIST OF PARTS

| DESCRIPTION | MATERIAL | FINISH |
|-------------------|----------|---------|
| FLANGE | BRASS | BRUSHED |
| GASKET | NEOPRENE | |
| CAP, FLUSH | BRASS | BRUSHED |
| PLUG, CROWN | BRASS | BRUSHED |
| GASKET | RUBBER | |
| SCREW, #8 FLAT HD | BRASS | NATURAL |



DIMENSION SHEET FOR CAT. NO. SF-2525

REPAIRABLE NON-REPAIRABLE

B

M-7085

| SYM | REVISIONS | APP | DATE |
|-----|--------------------------|-----|---------|
| 1 | FIRST ISSUE PER DCN 1422 | ESW | 11-3-92 |

THE DESIGN AND DIMENSIONS OF THE PRODUCT SHOWN ON THIS DRAWING ARE SUBJECT TO CHANGE WITHOUT NOTICE

TITLE
 ASSY, BRASS FLOOR BOX, SINGLE FACE

TOLERANCES UNLESS OTHERWISE SPECIFIED
 FRACTIONS ± 1/64
 DECIMALS ± .005
 ANGLES ± 2°

WIRING DEVICE DIVISION
 HUBBELL, INCORPORATED
 BRIDGEPORT, CT

DR. BY MDM APP. BY *EJ/ldg*
 TR. BY SCALE 1/2
 CHK'D BY ESW DATE 9/29/92