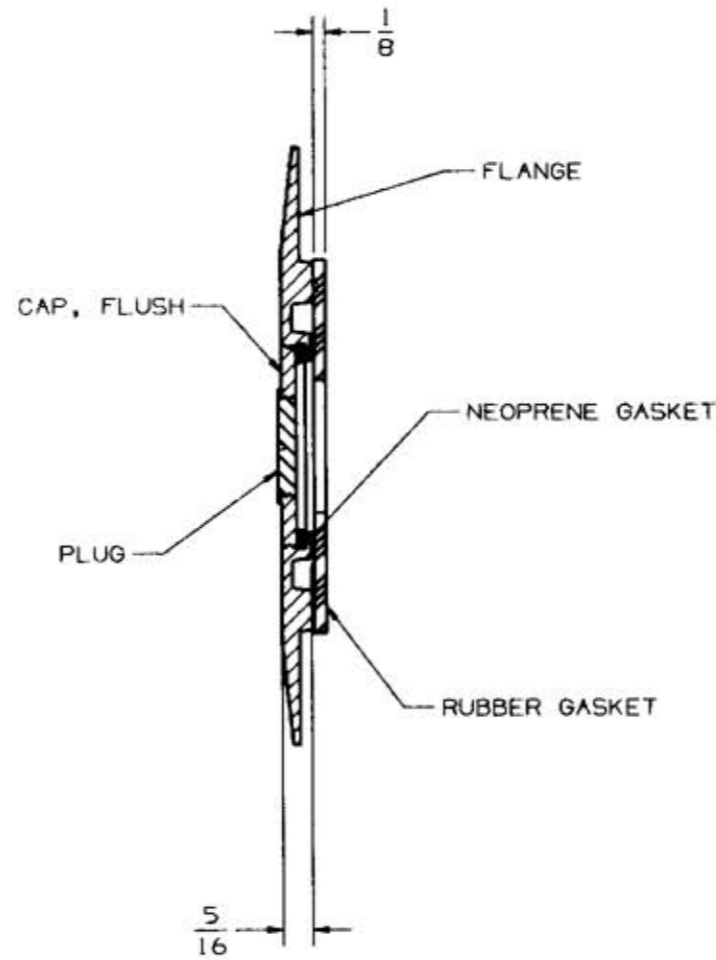
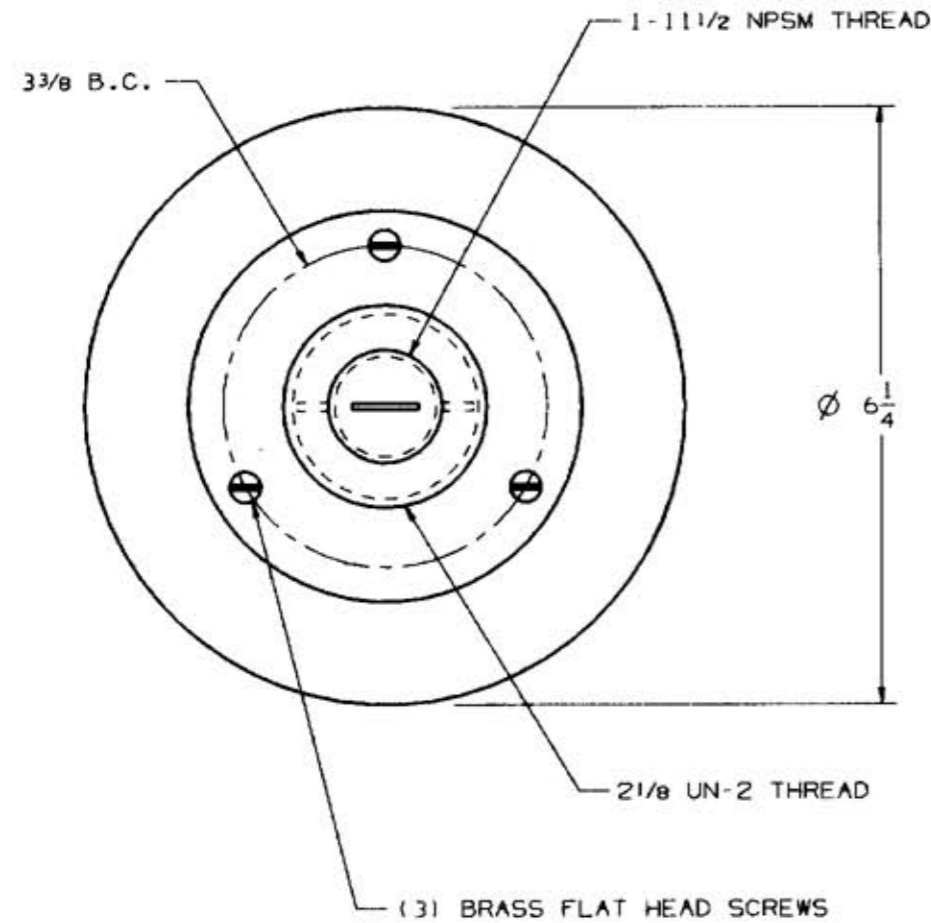


M-7086



LIST OF PARTS

DESCRIPTION	MATERIAL	FINISH
FLANGE	BRASS	BRUSHED
GASKET	NEOPRENE	
CAP, FLUSH	BRASS	BRUSHED
PLUG, CROWN	BRASS	BRUSHED
GASKET	RUBBER	
SCREW, #8 FLAT HD	BRASS	NATURAL

DIMENSION SHEET FOR CAT. NO. SF-2725

REPAIRABLE NON-REPAIRABLE

SYM	REVISIONS	APP	DATE
1	FIRST ISSUE PER DCN 1422	EN	11-3-92

THE DESIGN AND DIMENSIONS OF THE PRODUCT SHOWN ON THIS DRAWING ARE SUBJECT TO CHANGE WITHOUT NOTICE

TITLE
 ASSY, BRASS FLOOR BOX, SINGLE FACE

TOLERANCES UNLESS OTHERWISE SPECIFIED		WIRING DEVICE DIVISION HUBBELL, INCORPORATED BRIDGEPORT, CT	
FRACTIONS	± 1/64	DR. BY	MDM
DECIMALS	± .005	APP. BY	ELH
ANGLES	± 2°	TR. BY	SCALE 1/2
		CHK'D BY	ESW
		DATE	9/29/92

M-7086