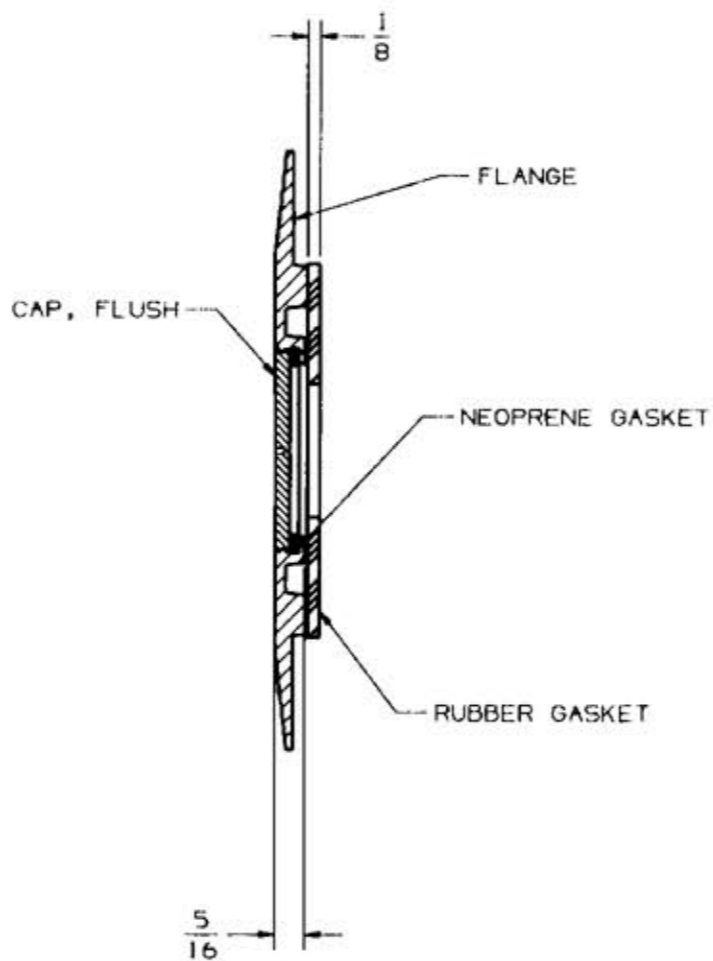
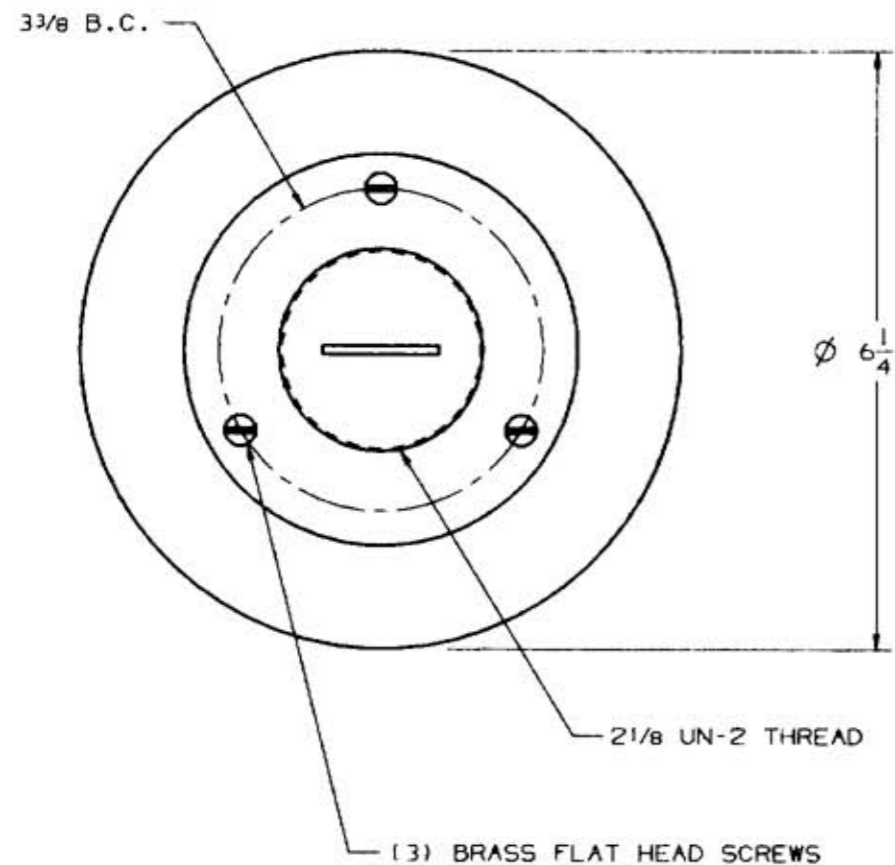


M-7090



LIST OF PARTS

DESCRIPTION	MATERIAL	FINISH
FLANGE	BRASS	BRUSHED
GASKET	NEOPRENE	
CAP, FLUSH	BRASS	BRUSHED
PLUG, CROWN	BRASS	BRUSHED
GASKET	RUBBER	
SCREW, #8 FLAT HD	BRASS	NATURAL

DIMENSION SHEET FOR CAT. NO. SF-2925

REPAIRABLE

NON-REPAIRABLE

B

M-7090

SYM	REVISIONS	APP	DATE
1	FIRST ISSUE PER DCN 1422	ESW	11-3-92

THE DESIGN AND DIMENSIONS OF THE PRODUCT SHOWN ON THIS DRAWING ARE SUBJECT TO CHANGE WITHOUT NOTICE

TITLE

ASSY, BRASS FLOOR BOX, SINGLE FACE

TOLERANCES UNLESS OTHERWISE SPECIFIED
 FRACTIONS ± 1/64
 DECIMALS ± .005
 ANGLES ± 2°

WIRING DEVICE DIVISION
 HUBBELL, INCORPORATED
 BRIDGEPORT, CT

DR. BY MDM APP. BY *[Signature]*
 TR. BY SCALE 1/2
 CHK'D BY ESW DATE 9/29/92