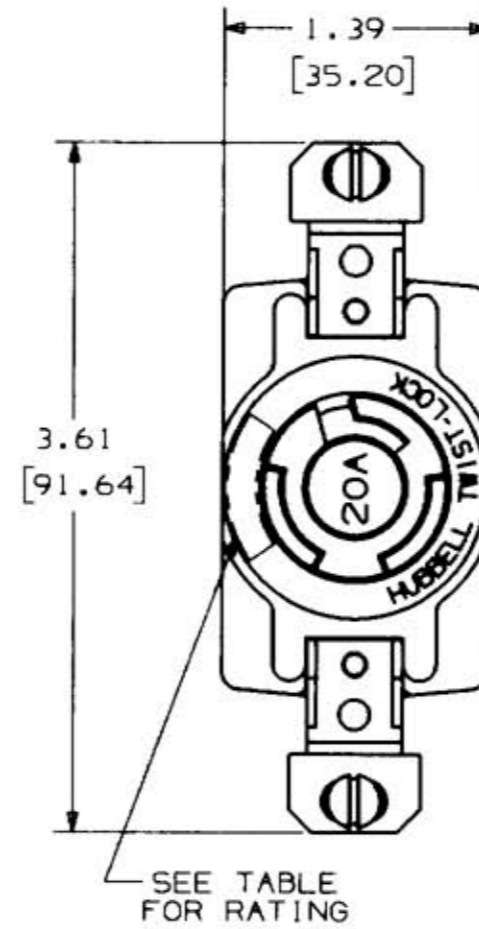
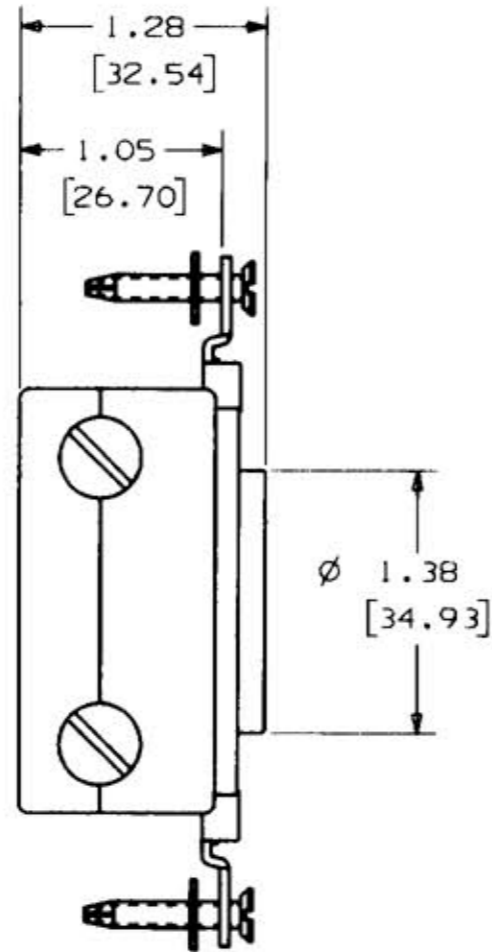
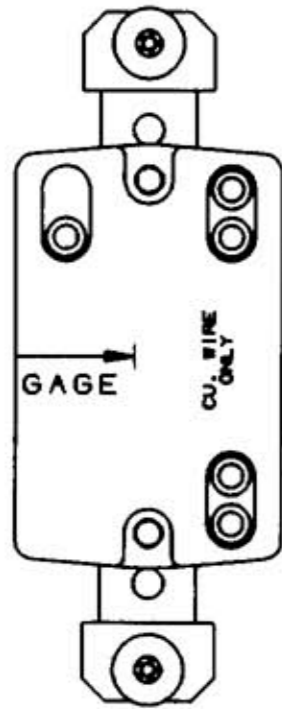


M-7136 1



CATALOG NO.	RATING
HBL7310B	125/250V
HBL7310BG	250V

LIST OF PARTS

DESCRIPTION	MATERIAL	FINISH
FACE	UREA	
BASE	UREA	
CONTACT SPRING	BRASS	
WIRE CLAMPS	STEEL	ZINC PLATE
TERMINAL SCREWS	BRASS	
BRIDGE	STEEL	ZINC PLATE
MOUNTING SCREWS	STEEL	ZINC PLATE

DIMENSION SHEET FOR CAT. NO. SEE TABLE

REPAIRABLE NON-REPAIRABLE

B M-7136

1

SYM	REVISIONS	APP	DATE
1	RELEASED PER DCN #2818 RCM	WUH	6/22/94

THE DESIGN AND DIMENSIONS OF THE PRODUCT SHOWN ON THIS DRAWING ARE SUBJECT TO CHANGE WITHOUT NOTICE

TITLE
NON-NEMA GROUNDING RECEPTACLES

TOLERANCES UNLESS OTHERWISE SPECIFIED			
FRACTIONS	± 1/64	WIRING DEVICE DIVISION HUBBELL, INCORPORATED BRIDGEPORT, CT	
DECIMALS	± .005		
ANGLES	± 2°		
		DR. BY RCM	APP. BY WUH
		TR. BY	SCALE 1:1
		CHK'D BY WUH	DATE 6/22/94