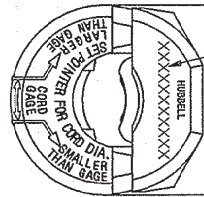
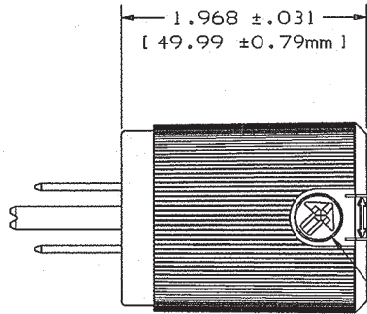
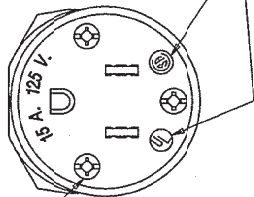


M-7149 8

AGENCY LISTING PER TABLE



CATALOG NUMBER (HBL5266CM2 & HBL5266EBK NOT MARKED)

ALL SCREWS ARE COMBINATION ROBERTSON/PHILLIPS/SLOTTED HEAD

INTEGRAL VARISIZE® INSERT

LIST OF PARTS

DESCRIPTION	MATERIAL	FINISH
BLADE HOLDER	NYLON	NATURAL
RETAINER COVER	POLYCARBONATE	CLEAR
INSERT	NYLON	
CORD CLAMP	NYLON	NATURAL
WIRE CLAMP	.062 CRS	NICKEL PL
CONTACT BLADE	.060 BRASS	*
GROUND CONTACT BLADE	.040 BRASS	
BINDING SCREW	BRASS	*
GROUND HEX HEAD BINDING SCREW	BRASS	GREEN
CORD CLAMP SCREWS	STEEL	ZINC PL
ASSY SCREWS	STEEL	ZINC PL

*WHITE FINISH ON NEUTRAL PARTS WHEN USED

NOTE: ON "CM" DEVICES, STEEL PARTS ARE MADE OF BRASS OR STAINLESS STEEL AND ALL BRASS PARTS ARE .0003 NICKEL PLATED.

CUSTOMER SPECIAL CAT. NO. (BLADE HOLDER & CORD CLAMP) ALL BLACK	CHEM-MARINE CAT. NO. (YELLOW COVER) & INSERT	CAT. NO. (BLACK COVER) & INSERT	CONFIGURATION	RATING	UL	CSA	CORD RANGE	
							LARGER THAN GAGE	SMALLER THAN GAGE
HBL5266CM2	HBL52CM66C	HBL5266C	NEMA 5-15P	15A. 125V.	YES	YES	18/3 TYPE S	18/3-16/3 TYPE SV, SJ
—	HBL53CM66C	HBL5366C	NEMA 5-20P	20A. 125V.	YES	YES	16/3-10/3 TYPE S, SO, SJ	DIAMETER: .230-.360 [5.8mm]-[9.1mm]
—	HBL54CM66C	HBL5466C	NEMA 6-20P	20A. 250V.	YES	YES	DIAMETER: .325-.720 [8.3mm]-[18.3mm]	
—	HBL56CM66C	HBL5666C	NEMA 6-15P	15A. 250V.	YES	YES		
HBL5266EBK	—	—	NEMA 5-15P	15A. 125V.	YES	YES	18/3-10/3 TYPE S 14/3-10/3 TYPE SJ DIAMETER: .360-.720 [9.1mm]-[18.3mm]	N/A

8	TEXT HEIGHT FOR CAT. NO. XXX OF HIGH WAS .05. PICTORIAL UPDATE ONLY PER DCN 17514 SPN	DJP	3/31/11
7	ADDED "CORD RANGE" TO TABLE; ADDED "HBL5266EBK" CALLOUTS PER DCN 12450 RCN	DJP	8/31/05
SYM	REVISIONS	APP	DATE

THE DESIGN AND DIMENSIONS OF THE PRODUCT SHOWN ON THIS DRAWING ARE SUBJECT TO CHANGE WITHOUT NOTICE

TITLE
INSULGRIP®
2 POLE 3 WIRE
GROUNDING STRAIGHT BLADE
PLUG

TOLERANCES UNLESS OTHERWISE SPECIFIED	WIRING DEVICE-KE-LEMS HUBBELL INCORPORATED BRIDGEPORT, CT	
FRACTIONS ± 1/64	DR. BY RCM	APP. BY VFL
DECIMALS ± .005	TR. BY	SCALE $\frac{1}{1}$
ANGLES ± 1°	CHK'D BY ZIMM	DATE 6/29/93

CODE 74545

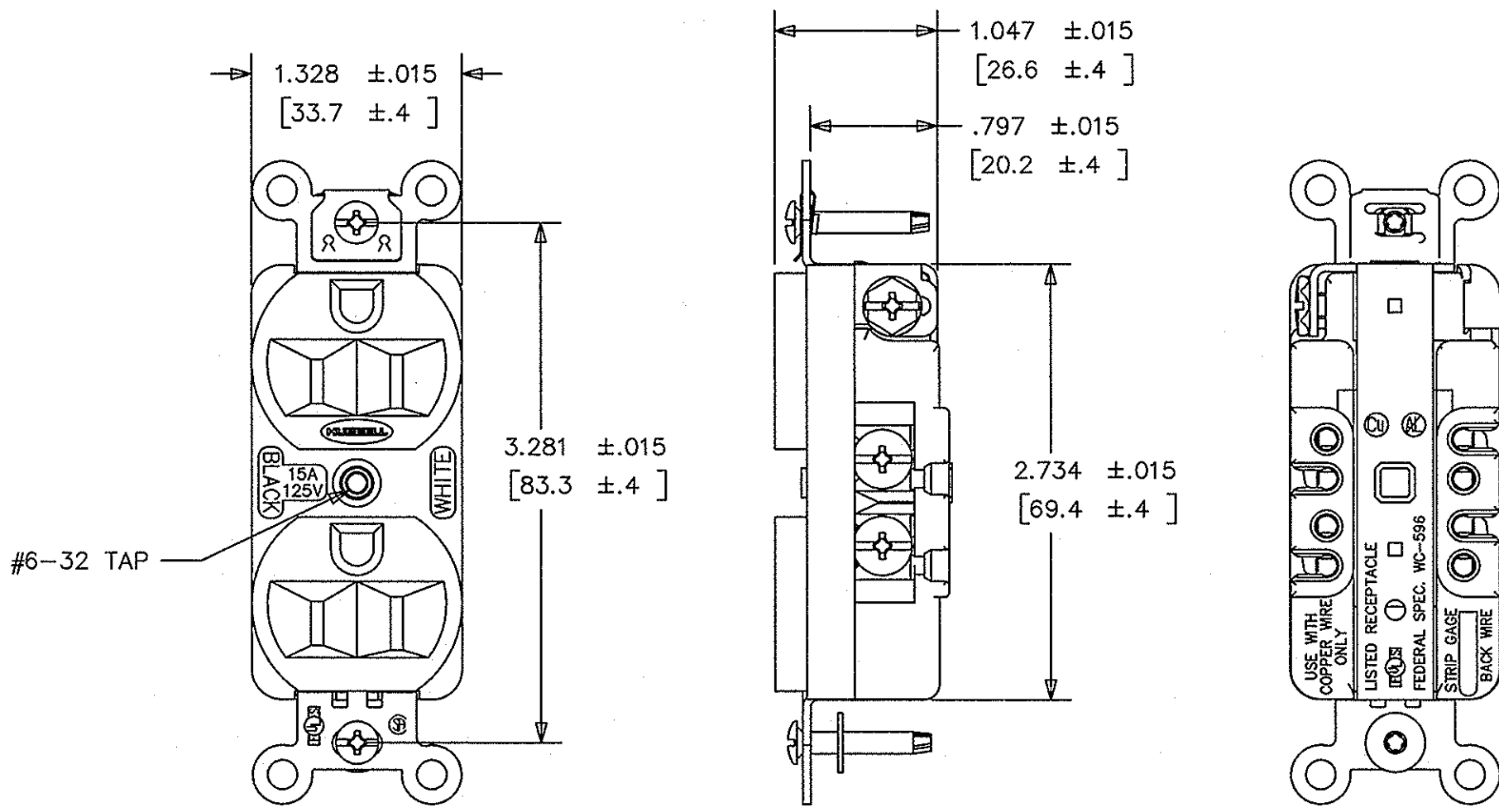
SEE TABLE

REPAIRABLE NON REPAIRABLE

M-7149

8

M-6326 | 7



NOTES: UNLESS OTHERWISE SPECIFIED
 1. DIMENSIONS ARE IN INCHES
 [mm]
 2. ALL DEVICES U.L. LISTED & C.S.A CERTIFIED.
 3. TERMINALS ACCOMODATE #14-10 AWG COPPER WIRE ONLY.

CATALOG NUMBERS								
BROWN	IVORY	GRAY	WHITE	BLACK	RED	ALMOND	CONFIGURATION	RATING
HBL5252	HBL5252I	HBL5252GY	HBL5252W	HBL5252BK	HBL5252R	HBL5252AL		15A-125V
HBL5352	HBL5352I	HBL5352GY	HBL5352W	HBL5352BK	HBL5352R	HBL5352AL		20A-125V

LIST OF PARTS		
DESCRIPTION	MATERIAL	FINISH
TOP	NYLON	
BASE	THERMOPLASTIC POLYESTER PHOSPHOR BRONZE	BLACK
CONT. SP. BIND. PLATE		
GR. CONTACT SP.	.031 BRASS	
WIRE CLAMP	.062 C.R.S.	NICKEL PL.
BRIDGE	BRASS	
GROUND SPRING	ST. STEEL	
BINDING SCREWS	BRASS	*
HEX. HD. BIND. SC.	BRASS	GREEN
MOUNTING SCREW	STEEL	ZINC PL.
WASHER	FIBER	RED
CENTER RIVET	SIL. BRONZE	

* = WHITE FINISH ON NEUTRAL PARTS WHEN USED

7	REMOVED "X" FROM RIVET; RIVET MATERIAL WAS BRASS PER DCN 16974 RCM	PJB PJB	10/20/10
SYM	REVISIONS	APP	DATE

THE DESIGN AND DIMENSIONS OF THE PRODUCT SHOWN ON THIS DRAWING ARE SUBJECT TO CHANGE WITHOUT NOTICE

TITLE
 3 WIRE GROUNDING STRAIGHT BLADE DUPLEX RECEPTACLE SIDE & BACK WIRED

TOLERANCES UNLESS OTHERWISE SPECIFIED FRACTIONS ±1/64 DECIMALS ±.005 ANGLES ±2°	WIRING DEVICE--KELLEMS HUBBELL INCORPORATED BRIDGEPORT, CT	
	DR. BY ASM	APP. BY
	TR. BY	SCALE 1:1
	CHK'D BY	DATE 11/3/82

DIMENSION SHEET FOR CAT. NO.

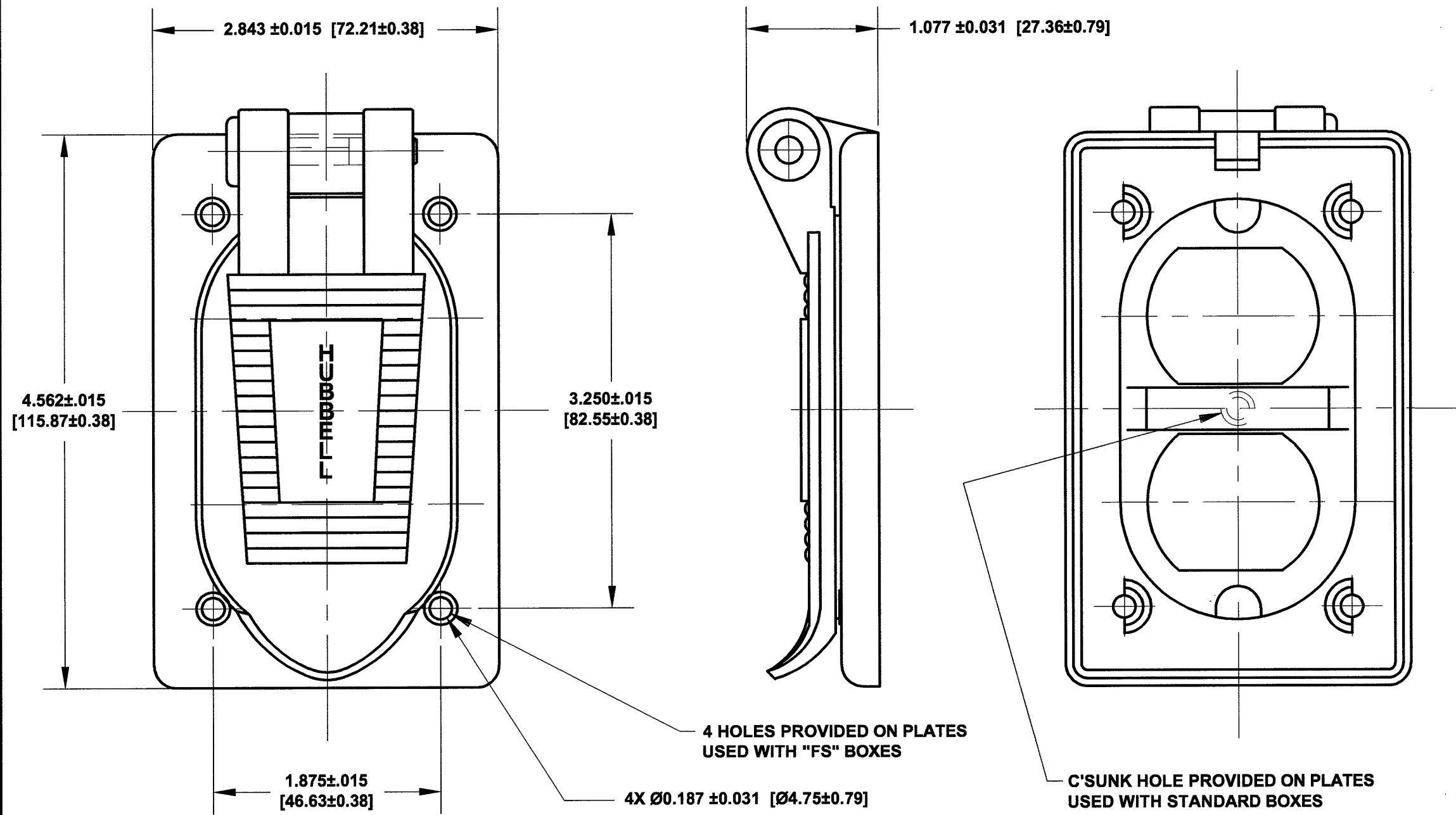
REPAIRABLE NON-REPAIRABLE

B

M-6326

7

M-5895 3



LIST OF PARTS		
DESCRIPTION	MATERIAL	FINISH
COVER	VALOX	SEE CHART
FLAP	VALOX	SEE CHART
GASKETS	NEOPRENE	BLACK
SPRING	SST	
RIVET	SST	

DIMENSION SHEET FOR CAT. NO. SEE TABLE

REPAIRABLE NON-REPAIRABLE

B

M-5895

3

3	REDRAWN IN AUTOCAD WITH CHANGES: ADDED DUAL DIMENSIONS & NOTE 1; TO TABLE ADDED CAT. NO. HBL5221M1 AND "UL" & "CSA" COLUMNS. IN LIST OF PARTS, "VALOX" WAS "LEXAN" PER DCN #12425. JMN	WRV WRV	8/9/05
SYM	REVISIONS	APP	DATE

THE DESIGN AND DIMENSIONS OF THE PRODUCT SHOWN ON THIS DRAWING ARE SUBJECT TO CHANGE WITHOUT NOTICE

TITLE
WEATHERPROOF LIFT COVER PLATE FOR DUPLEX OUTLETS

TOLERANCES UNLESS OTHERWISE SPECIFIED	DR. BY K.F.	APP. BY
FRACTIONS ±1/64	TR. BY J.M.N.	SCALE 1:1
DECIMALS ±.005	CHK'D BY	DATE 8/9/05
ANGLES ±2°		

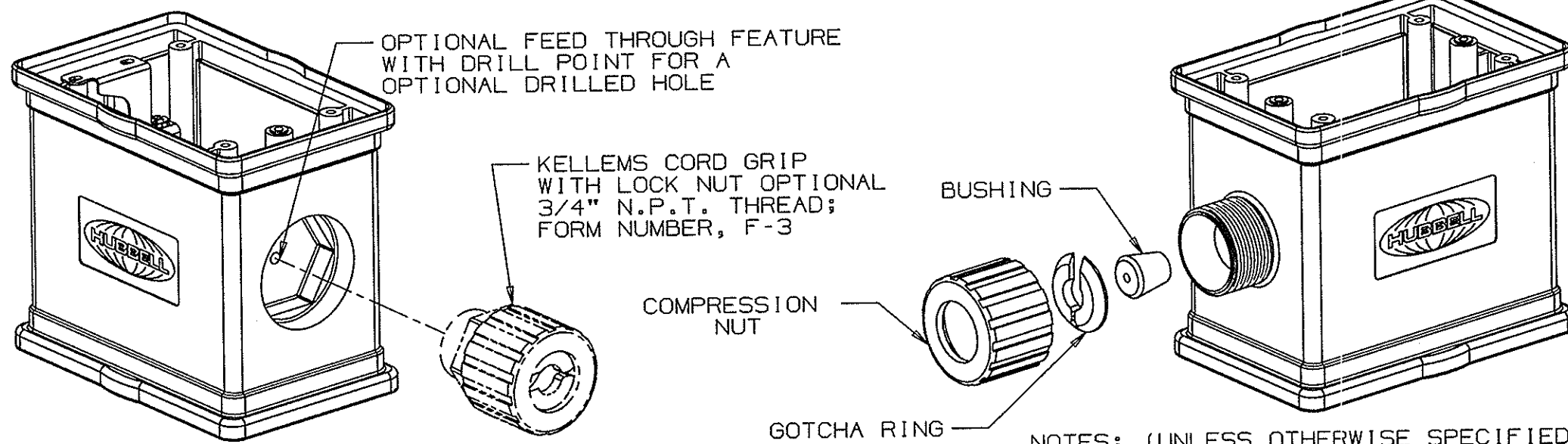
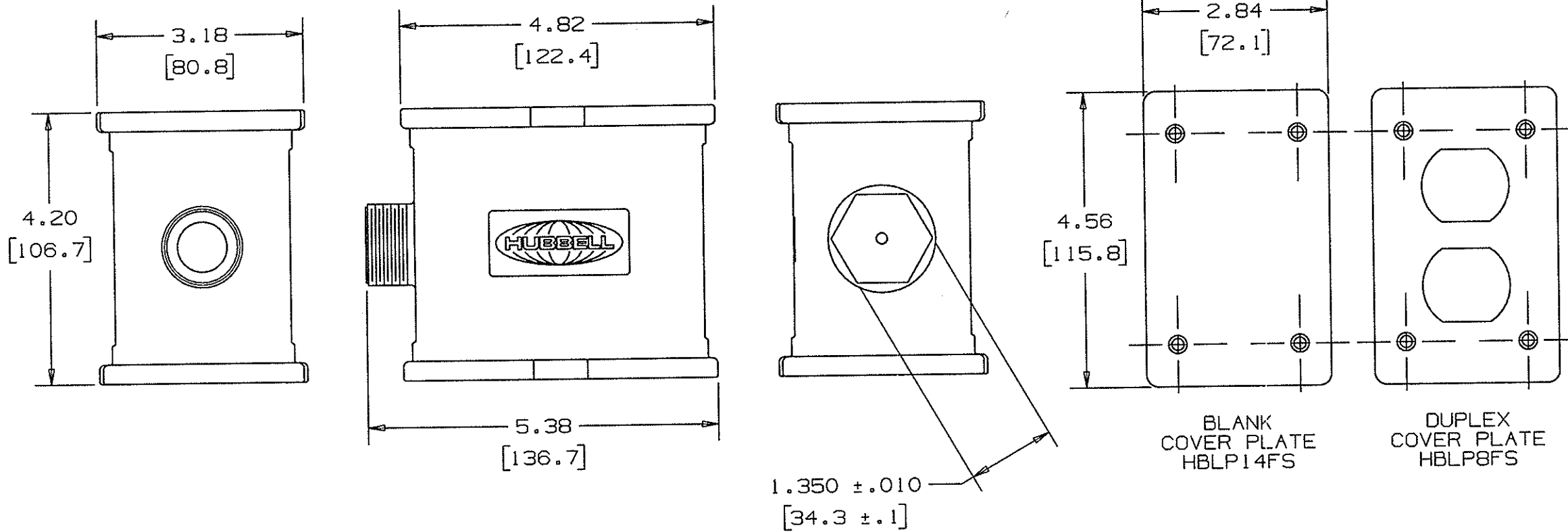
NOTES: (UNLESS OTHERWISE SPECIFIED)

1) DIMENSIONS SHOWN AS: INCHES[METRIC]

CAT. NO	COLOR	4 HOLES	C'SUNK HOLE	U.L.	C.S.A.
5221	GRAY	X			
52CM21	YELLOW	X			
5222	GRAY		X		
52CM22	YELLOW		X		
HBL5221	GRAY	X		X	X
HBL52CM21	YELLOW	X		X	X
HBL5222	GRAY		X	X	X
HBL52CM22	YELLOW		X	X	X
HBL5221M1	GRAY	X		X	X

M-7652

6



NOTES: (UNLESS OTHERWISE SPECIFIED)
 1. DIMENSIONS ARE IN UNITS OF INCH/[mm]
 2. TOLERANCE ON 2 PLACE DECIMALS IS ± .02

LIST OF PARTS

DESCRIPTION	MATERIAL	FINISH
PORTABLE OUTLET BOX	PBTP	SEE TABLE
COVER PLATE, DUPLEX	PBTP	SEE TABLE
COVER PLATE, BLANK*	PBTP	SEE TABLE
COMPRESSION NUT	NYLON	SEE TABLE
GOTCHA RING	NYLON	GRAY
GOTCHA RING	NYLON	BLUE
GOTCHA RING	NYLON	BROWN
GROMMET	RUBBER	BLACK
GROMMET	RUBBER	BLACK
GROMMET	RUBBER	BLACK
BONDING PLATE ASSY	BRASS	
GROUND SCREW	BRASS	
WIRE CLAMPING NUT	STEEL	NICKEL
INSERT	BRASS	
GASKET*	FOAM	
SCREWS	ST STEEL	

6	DIM. 1.350 WAS 1.35 ADDED ±.010. MOVED FINISH OF OUTLET BOX, COVER PLATES AND COMPRESSION NUT TO TABLE. TABLE ADDED HBLPOB1BK BOX COLOR, COMP NUT COLOR, AND COVER PLATE COLOR. ADDED NOTES 1 AND 2 PER DCN 18477 SPN	DJP	11/15/11
5	REVISED ALL INCH DIMS TO 2 DECIMAL PLACES, METRIC DIM'S REVISED TO 1 PLACE DECIMALS PER DCN 11119 MYA	RDK	8/26/03
4	12/03/01 ADDED PART NO'S TO PLATES. ADDED N.P.T. CALLOUT FOR CORD GRIP. MODIFIED TITLE. PER DCN 9129 SPN	TCM	12/03/01
3	BONDING PLATE ASY. MATERIAL "BRASS" WAS "STEEL" & DELETED "GALVANIZED" FROM FINISH COLUMN PER DCN #4751-1. DJG	MRM	12-6-96
2	RELEASED FOR PRODUCTION PER DCN #4443. DJG	KRR	9-13-96
1	"X" REMOVED PER EC 3921	KRR	7-12-96
SYM	REVISIONS	APP	DATE

THE DESIGN AND DIMENSIONS OF THE PRODUCT SHOWN ON THIS DRAWING ARE SUBJECT TO CHANGE WITHOUT NOTICE

TITLE
 PORTABLE OUTLET BOX

CAT NO.	PLATES	GOTCHA RINGS	GROMMETS	SCREWS	GASKETS	UL	CSA	BOX COLOR	COMPRESSION NUT COLOR	COVER PLATE COLOR
HBLPOB1	1 BLANK*	3 SIZES	3 SIZES	4	1	YES	YES	MATTE YELLOW	GRAY	MATTE GRAY
HBLPOB1D	2 DUPLEX	3 SIZES	3 SIZES	8	0	YES	YES	MATTE YELLOW	GRAY	MATTE GRAY
HBLPOB1BK	1 BLANK*	3 SIZES	3 SIZES	4	1	YES	YES	MATTE BLACK	BLACK	MATTE BLACK

TOLERANCES UNLESS OTHERWISE SPECIFIED FRACTIONS ± 1/64 DECIMALS ± .005 ANGLES ± 2'	WIRING DEVICE-KELLEMS HUBBELL INCORPORATED BRIDGEPORT, CT	
	DR. BY KRR	APP. BY KRR
	TR. BY	SCALE 1/2
	CHK'D BY KRR	DATE 7/12/96

DIMENSION SHEET FOR CAT. NO. M-7652
 REPAIRABLE NON-REPAIRABLE B