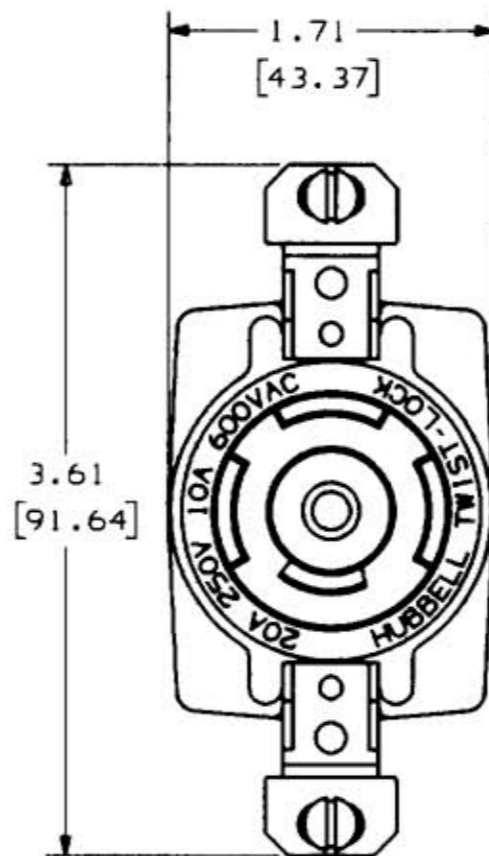
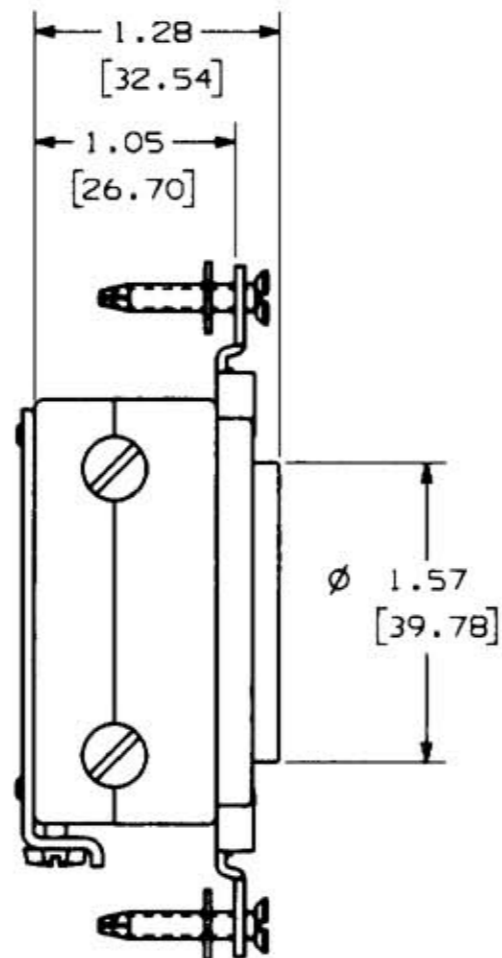
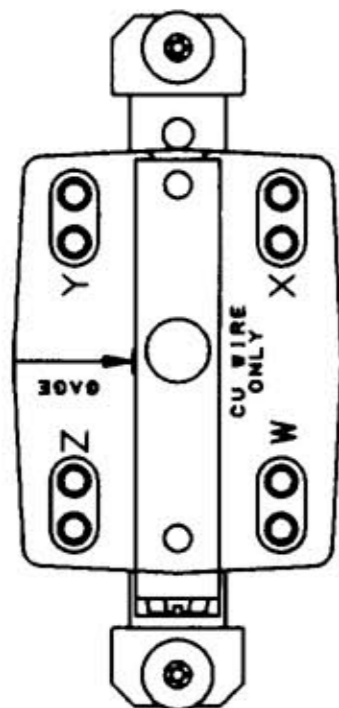


# M-7255 I



LIST OF PARTS		
DESCRIPTION	MATERIAL	FINISH
FACE	UREA	
BASE	UREA	
CONTACT SPRING	BRASS	
WIRE CLAMPS	STEEL	ZINC PLATE
TERMINAL SCREWS	BRASS	
BRIDGE	STEEL	ZINC PLATE
MOUNTING SCREWS	STEEL	ZINC PLATE

DIMENSION SHEET FOR CAT. NO. HBL 3520

REPAIRABLE  NON-REPAIRABLE

**B**

**M-7255**

**1**

1	RELEASED PER DCN #2818 RCM	WVH	6/24/94
SYM	REVISIONS	APP	DATE

THE DESIGN AND DIMENSIONS OF THE PRODUCT SHOWN ON THIS DRAWING ARE SUBJECT TO CHANGE WITHOUT NOTICE

**TITLE**  
NON-NEMA NON-GROUNDING RECEPTACLES

TOLERANCES UNLESS OTHERWISE SPECIFIED FRACTIONS ± 1/64 DECIMALS ± .005 ANGLES ± 2°	WIRING DEVICE DIVISION <b>HUBBELL, INCORPORATED</b> BRIDGEPORT, CT	
	DR. BY RCM	APP. BY WVH
	TR. BY	SCALE 1:1
	CHK'D BY WVH	DATE 6/24/94