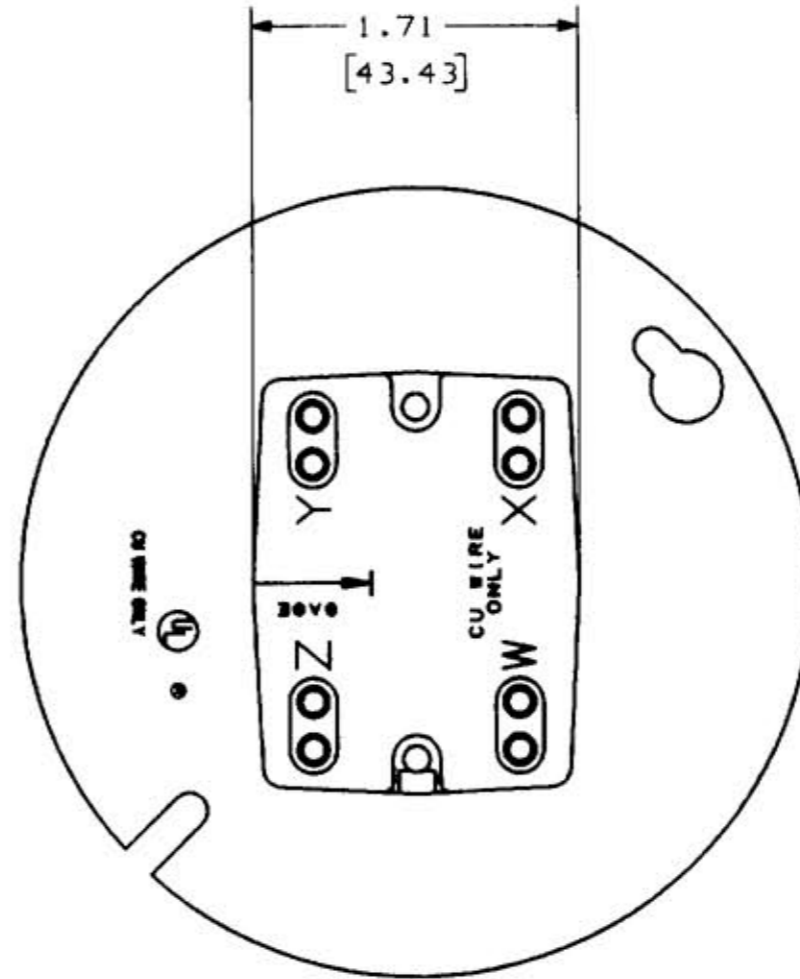
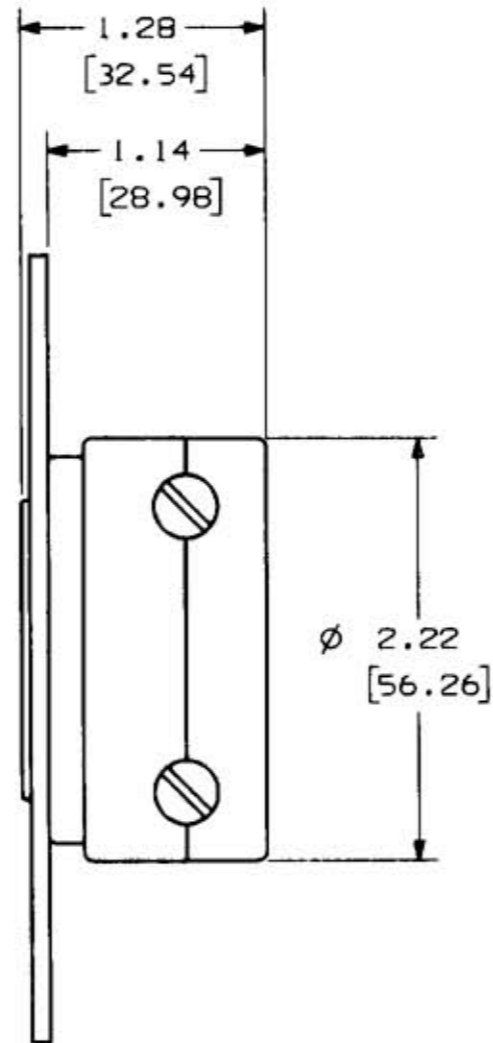
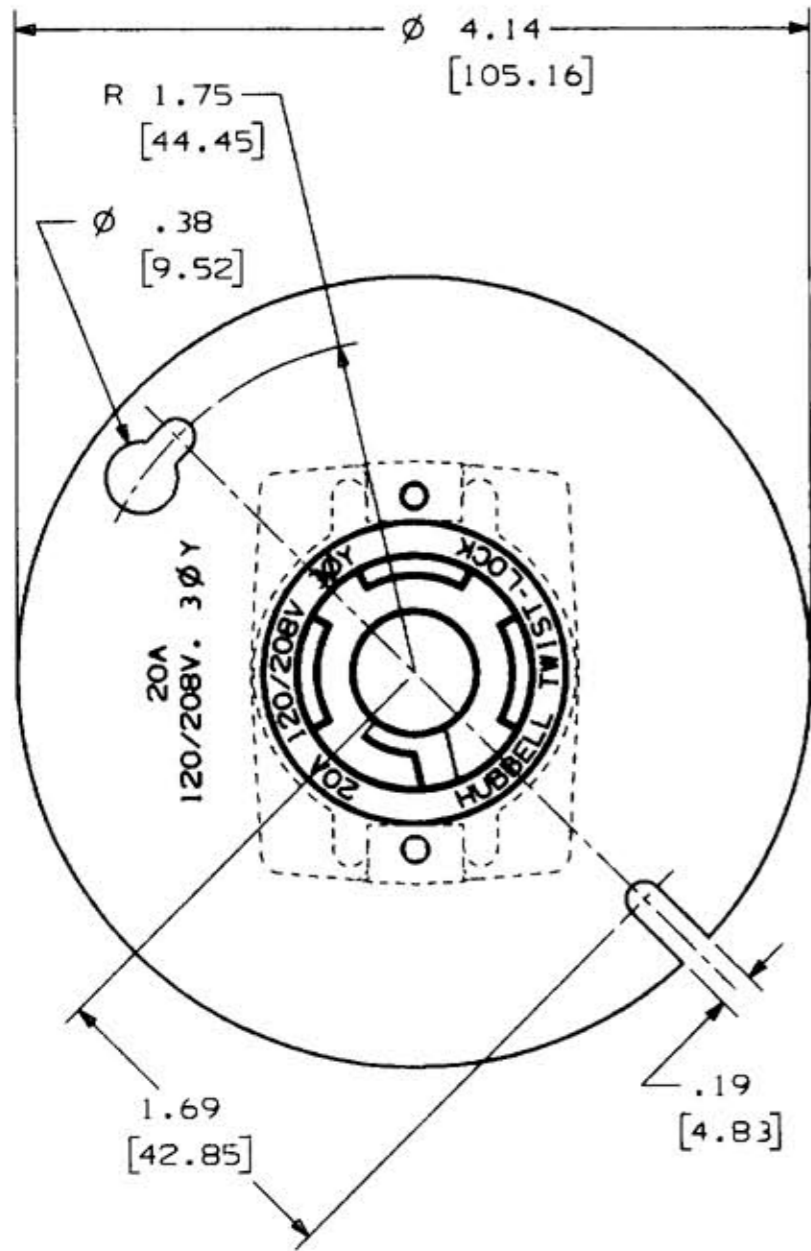


# M-7256 1



## LIST OF PARTS

DESCRIPTION	MATERIAL	FINISH
FACE	UREA	
BASE	UREA	
CONTACT SPRING	BRASS	
WIRE CLAMPS	STEEL	ZINC PLATE
TERMINAL SCREWS	BRASS	
BRIDGE	STEEL	ZINC PLATE
MOUNTING SCREWS	STEEL	ZINC PLATE
OUTLET COVER	ALUMINUM	

DIMENSION SHEET FOR CAT. NO. HBL7417B

REPAIRABLE  NON-REPAIRABLE

1	RELEASED PER DCN #2818 RCM	WQH	6/24/94
SYM	REVISIONS	APP	DATE

THE DESIGN AND DIMENSIONS OF THE PRODUCT SHOWN ON THIS DRAWING ARE SUBJECT TO CHANGE WITHOUT NOTICE

**TITLE**  
NON-NEMA NON GROUNDING RECEPTACLE ON A 4" DIA OUTLET BOX COVER

TOLERANCES UNLESS OTHERWISE SPECIFIED  
FRACTIONS ± 1/64  
DECIMALS ± .005  
ANGLES ± 2°

**WIRING DEVICE DIVISION**  
**HUBBELL, INCORPORATED**  
BRIDGEPORT, CT

DR. BY RCM	APP. BY WQH
TR. BY	SCALE 1:1
CHK'D BY WQH	DATE 6/24/94

**B**  
**M-7256**

**1**