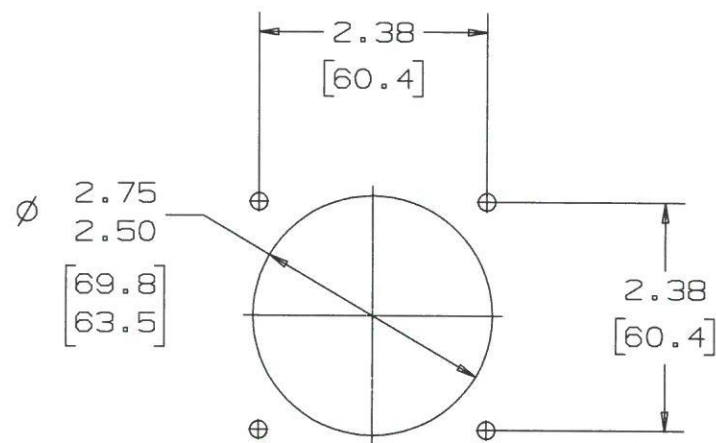
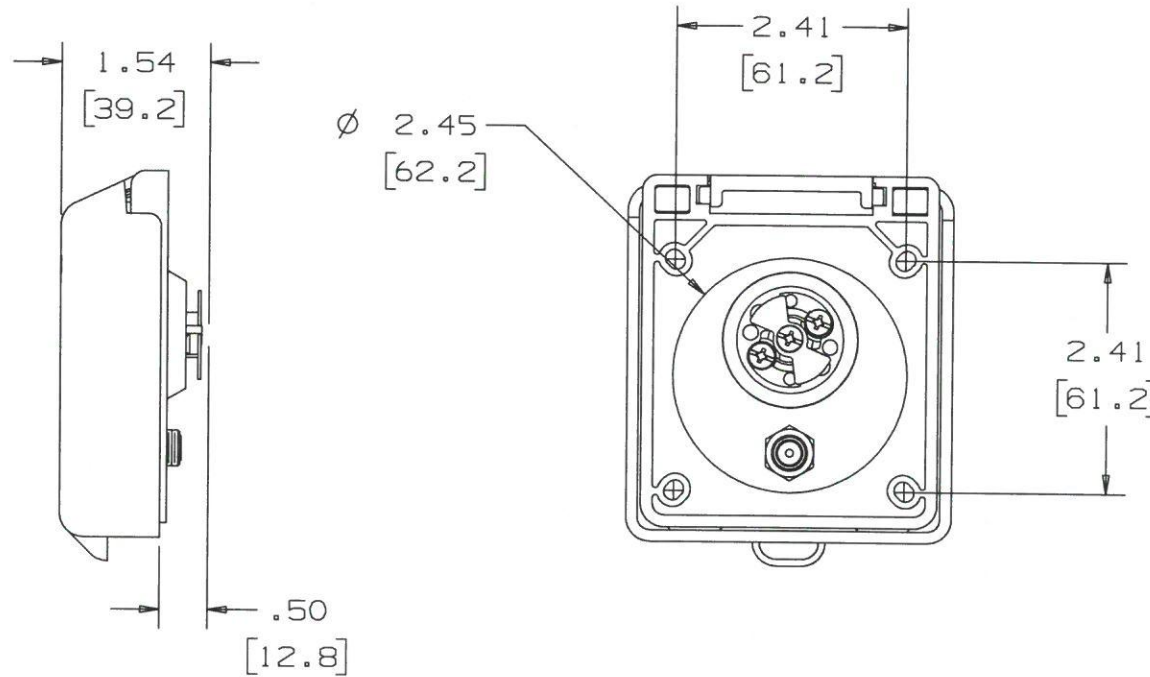
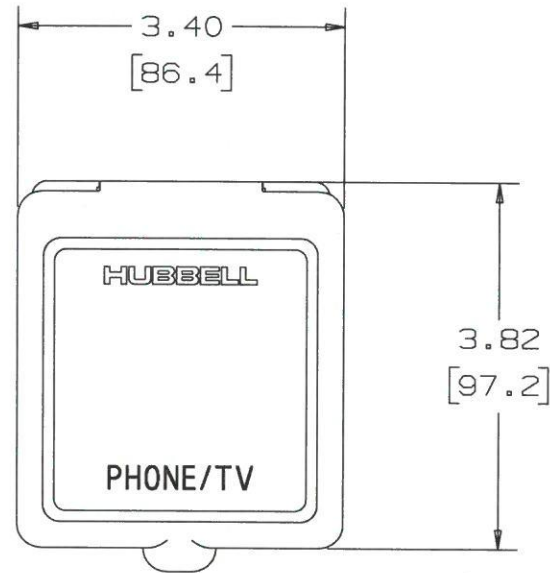


M-7460 3



CUTOUT OPENING

LIST OF PARTS		
DESCRIPTION	MATERIAL	FINISH
COVER	WEATHERABLE POLYMER	
THREADED BODY	FLAME RETARDANT GLASS REINFORCED POLYESTER	
INTERIOR	NYLON	
BLADES	BRASS	NICKEL PLATE
INTERIOR SCREWS	STAINLESS STEEL	
MOUNTING SCREWS	STAINLESS STEEL	
STRAIN RELIEF	NYLON	
STRAIN RELIEF SCREWS	STAINLESS STEEL	
GASKETS	EDPM FOAM RUBBER	

REPAIRABLE <input type="checkbox"/>	NON-REPAIRABLE <input checked="" type="checkbox"/>
-------------------------------------	--

SYM	REVISIONS	APP	DATE
3	PICTORIAL CHANGE TO BOTTOM VIEW TO SHOW COMBO DRIVE SCREWS PER DCN 23087 RM	DJP	5/24/17
2	ADDED MM TO DIMS.; REMOVED TOL. FROM DIMS.; ADDED 1.54 & .50; Ø 2.45 WAS Ø 2.46 PER DCN #8685 RCM	TCM	11/16/01
1	"X" REMOVED; LAST X-REVISION WAS X-0 PER DCN #4139 . JMN	JLW	7/12/96

THE DESIGN AND DIMENSIONS OF THE PRODUCT SHOWN ON THIS DRAWING ARE SUBJECT TO CHANGE WITHOUT NOTICE

TITLE
NON-METALLIC
SHORE PHONE/TV INLET

TOLERANCES UNLESS OTHERWISE SPECIFIED	WIRING DEVICE-KELLEMS HUBBELL INCORPORATED SHELTON, CT	
.XX = ±.01	DR. BY JMN	APP. BY JLW
.XXX = ±.005	TR. BY	SCALE .5:1
ANGLES = ±2°	CHK. BY JLW	DATE 7/12/96

NOTE: INCHES [MM]

DIMENSION SHEET FOR CAT. NO. HBLPHTVNM
 REPAIRABLE NON-REPAIRABLE
 B M-7460
 3