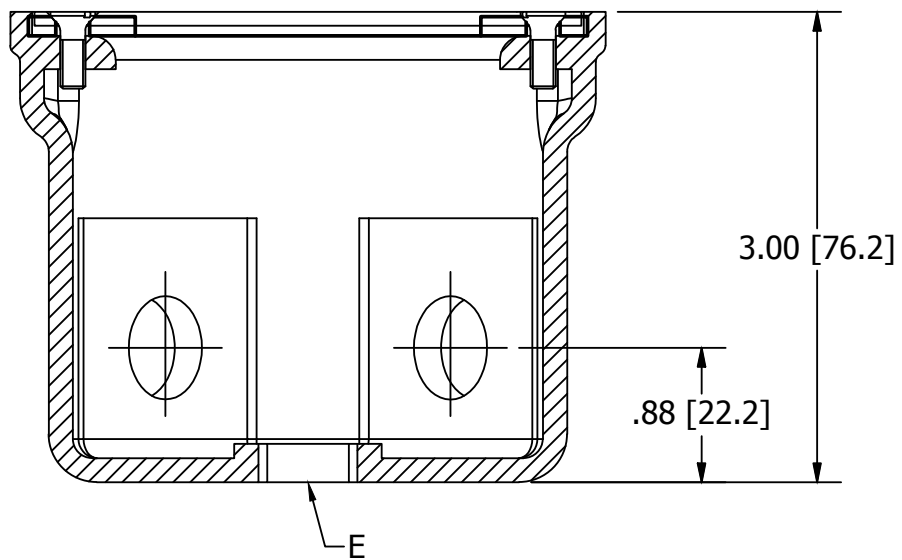
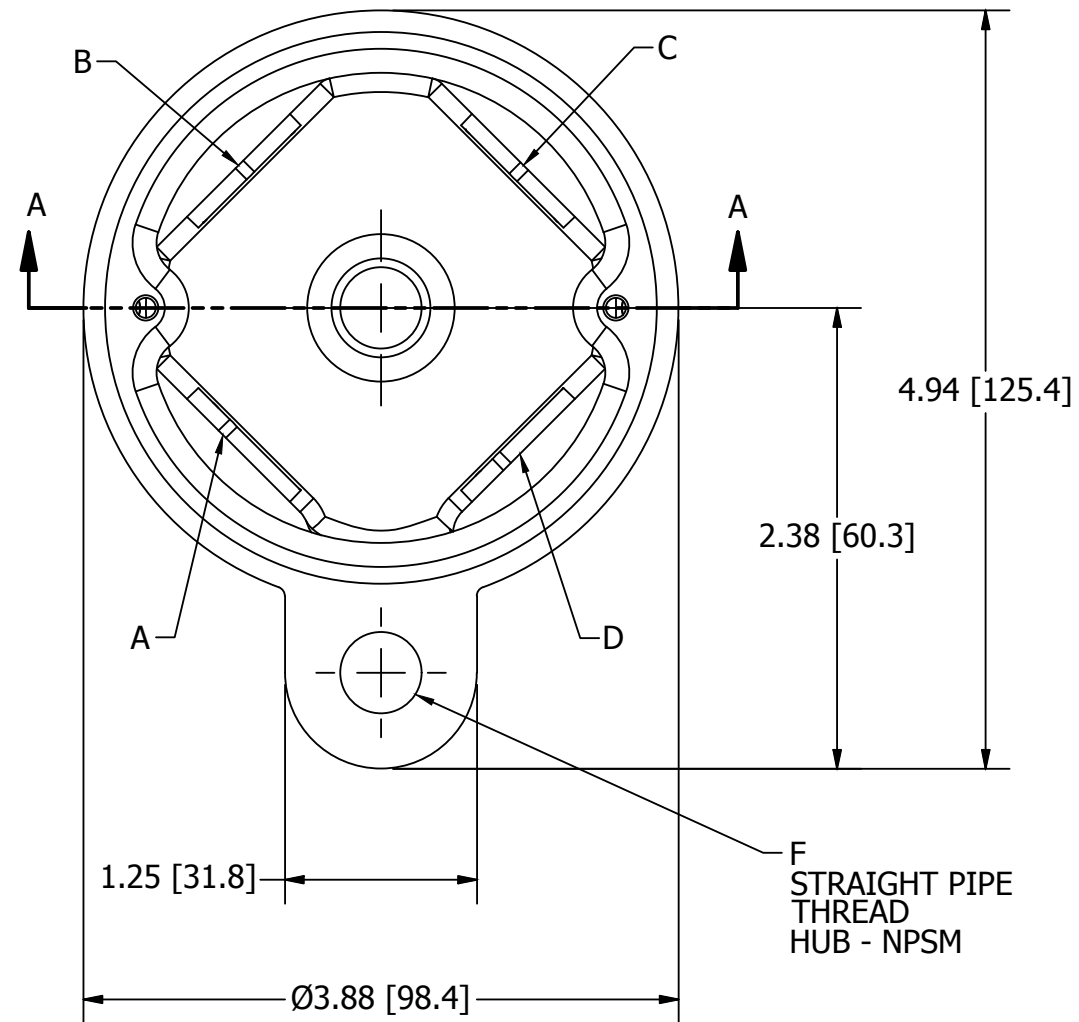
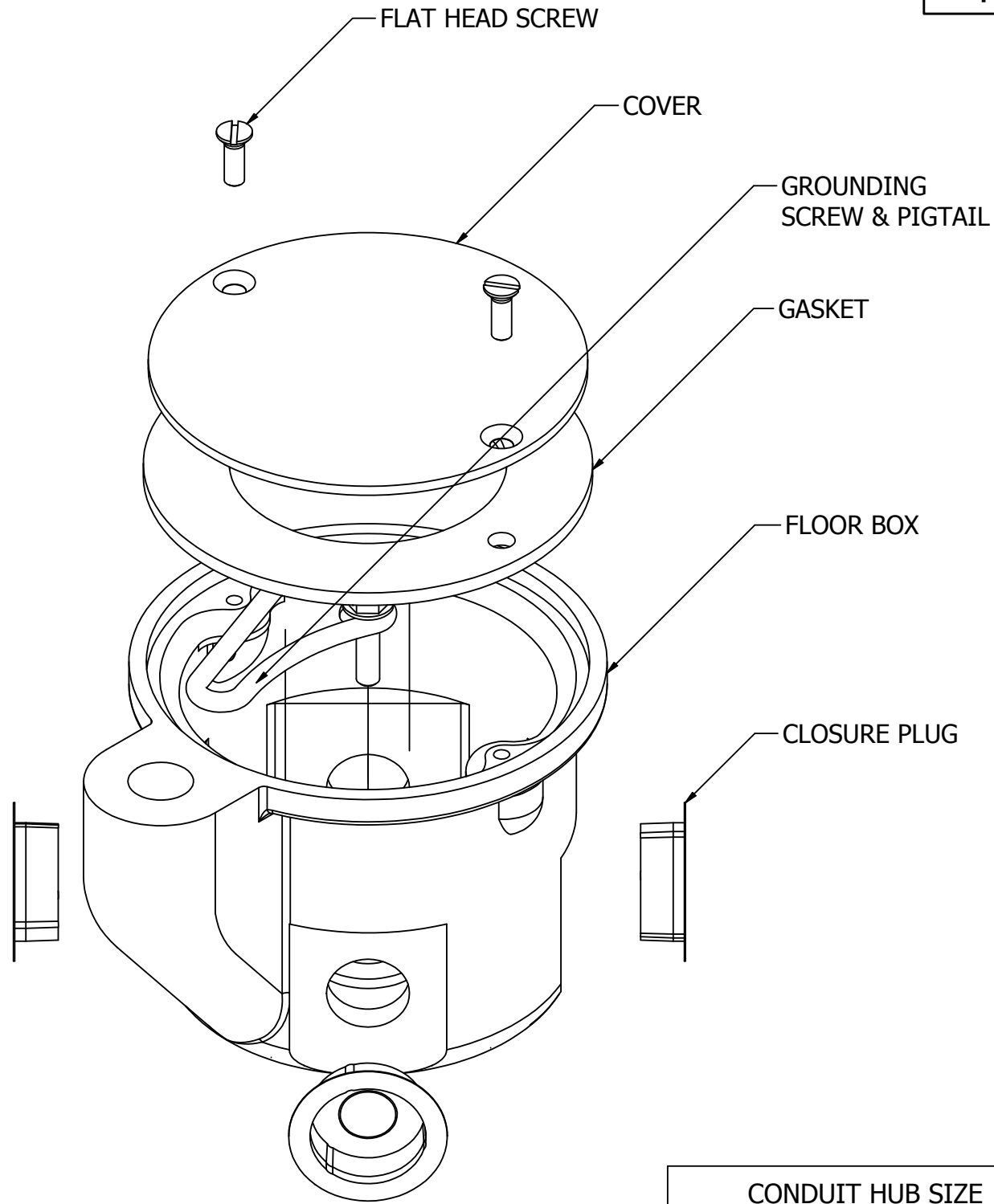


M-7536

2



SECTION A-A  
THROUGH FLOOR BOX

CATALOG NUMBER	CONDUIT HUB SIZE					
	A	B	C	D	E	F
F3185	3/4	3/4	3/4	3/4	3/4	3/4
F3186	3/4	3/4	3/4	3/4	1/2	1/2
F3187	1/2	1/2	1/2	1/2	1/2	1/2

NOTES:  
1. PRODUCT IS UL & CSA LISTED.COMPLIES WITH  
UL 514A, CSA C22.2 NO. 85-14.

CAGE CODE 74545

LIST OF PARTS

DESCRIPTION	MATERIAL	FINISH
FLOOR BOX	CAST IRON	GRAY
COVER	STEEL	GRAY
CLOSURE PLUG	STEEL	TIN PLATE
GASKET	CELLULOSE CORK	
SCREW FLAT HEAD	STEEL	ZINC PLATE
GROUNDING SCREW & PIGTAIL	COPPER	GREEN INSUL

DIMENSION SHEET FOR CAT. NO. SEE TABLE

2	REPLACED DRAWING FORMAT TO AUTOCAD SHEET DWG. PER DCN 22067	DDL	04/18/16
REV	DESCRIPTION	APP	DATE

THE DESIGN AND DIMENSIONS OF THE  
PRODUCT SHOWN ON THIS DRAWING ARE  
SUBJECT TO CHANGE WITHOUT NOTICE.  
DIMENSIONS ARE IN INCHES [mm].

TITLE  
**THEATER SEATING FLOOR BOX**



WIRING DEVICE-KELLEMS  
HUBBELL INCORPORATED  
SHELTON, CT

TOLERANCES UNLESS OTHERWISE SPECIFIED .XX = ± .01 .XXX = ± .005 ANGLE TOL. ±2'	DR. BY DDL	SCALE NONE
	CHK. BY DDL	DATE 04/15/16

B

M-7536

2