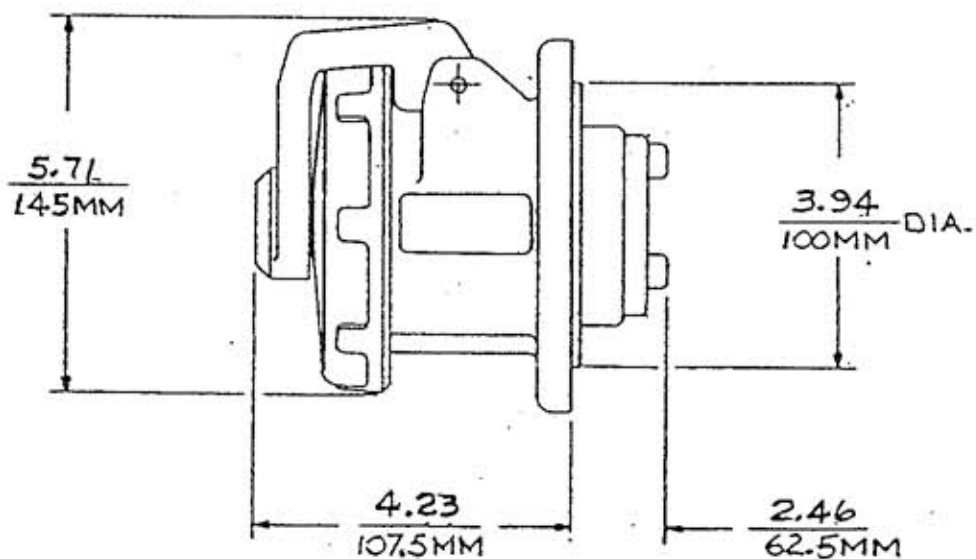
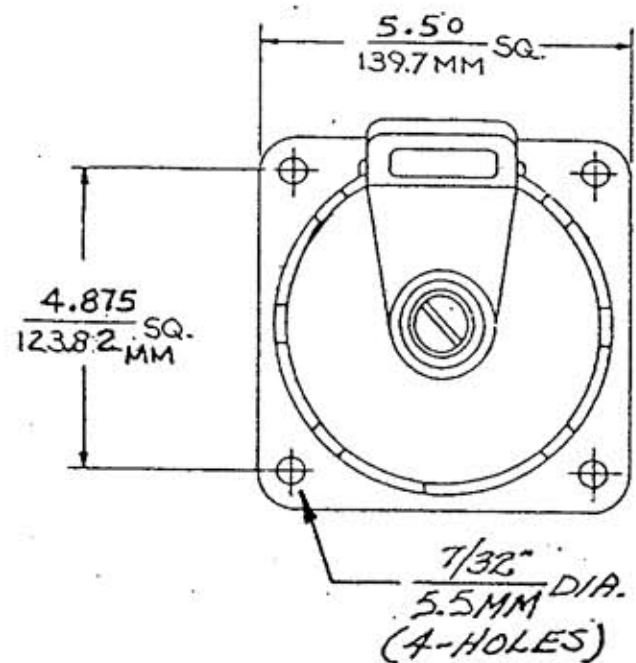


M-7667 1



LIST OF PARTS


DESCRIPTION	MATERIAL	FINISH
HOUSING	NYLON	
INTERIOR	THERMOSET	
PINS	BRASS	
TERMINAL SCREWS	STAIN. STL.	
COVER	POLYESTER	
COVER SCREW	BRASS	NICKEL
COVER SPRING	STAIN. STL.	
GASKET	RUBBER	
DISC	POLYCARB	
ARM	POLYESTER	
HINGE PIN	STAIN. STL.	
HINGE SPRING	STAIN. STL.	
ASSY SCREW	STAIN. STL.	

DIMENSION SHEET FOR CAT. NO.

SEE TABLE

REPAIRABLE NON-REPAIRABLE

B M-7667

CAT. No.	CONFIGURATION	RATING	CAT. No.	CONFIGURATION	RATING
			M4100B12R		100 AMP 125/250 VAC

1	RELEASE PER DCN 4455/27	8-22-96
SYM	REVISIONS	APP DATE

THE DESIGN AND DIMENSIONS OF THE PRODUCT SHOWN ON THIS DRAWING ARE SUBJECT TO CHANGE WITHOUT NOTICE.

NOTES:
1. ALL DECIMAL DIM. TOLS. TO BE ± .03.

TITLE
100A 4 WIRE
PIN & SLEEVE
INLET

TOLERANCES UNLESS OTHERWISE SPECIFIED	WIRING DEVICE DIVISION HARVEY HUBBELL, INC. BRIDGEPORT, CONN.	
FRACTIONS ± 1/64	DR. BY <i>RMB</i>	APP. BY
DECIMALS	TR. BY	SCALE 1:1
ANGLES ± 2°	CHK'D. BY	DATE 8-22-96