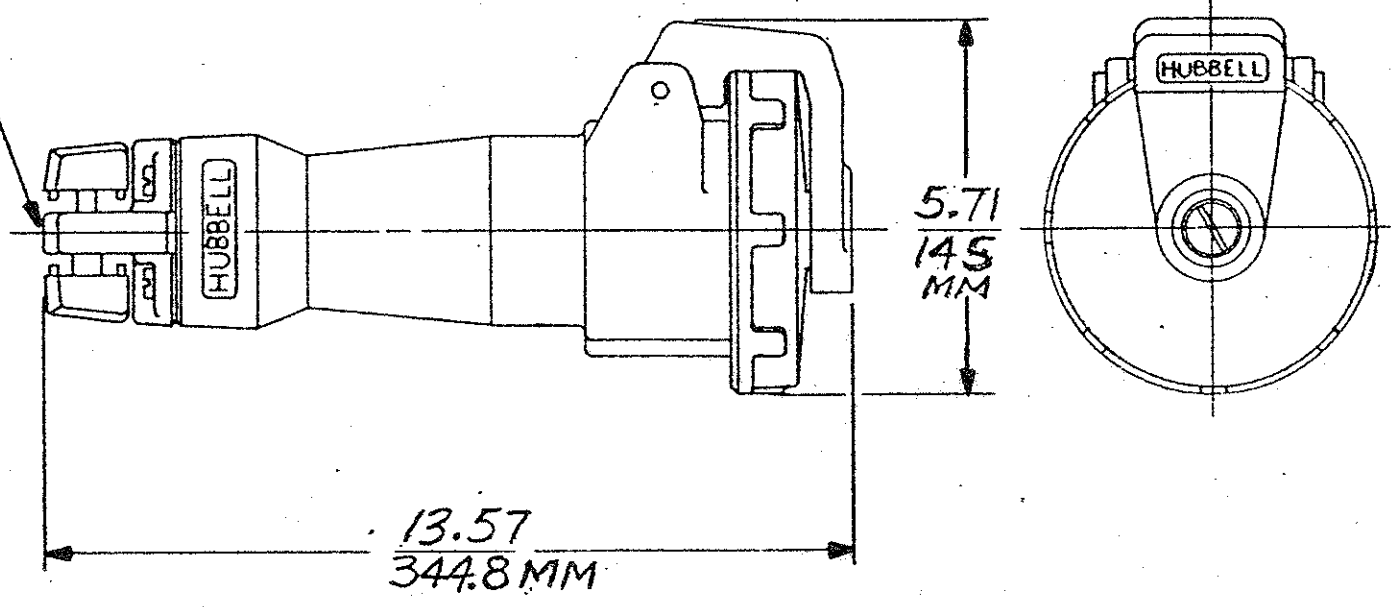


M-7675 1

CABLE DIA.  
 1.200 MIN.  
 30.48 MM  
 1.780 MAX.  
 45.21 MM



LIST OF PARTS		
DESCRIPTION	MATERIAL	FINISH
HOUSING	NYLON	
INTERIOR	THERMOSET	
SLEEVE	BRASS	
TERMINAL SCREWS	STAIN. STL.	
COVER	POLYESTER	
COVER SCREW	BRASS	NICKEL
COVER SPRING	STAIN. STL.	
GASKET	RUBBER	
DISC	POLYCARB	
ARM	POLYESTER	
HINGE PIN	STAIN. STL.	
HINGE SPRING	STAIN. STL.	
ASSY SCREW	STAIN. STL.	

CAT. No.	CONFIGURATION	RATING	CAT. No.	CONFIGURATION	RATING
			M4100C12		100 AMP 125/250 VAC

1	RELEASE PER DCN 4455 RJA	8-22-96
SYM	REVISIONS	APP DATE

THE DESIGN AND DIMENSIONS OF THE PRODUCT SHOWN ON THIS DRAWING ARE SUBJECT TO CHANGE WITHOUT NOTICE.

NOTES:  
 1. ALL DECIMAL DIM. TOLS. TO BE ± .03

CODE 74545

TITLE  
 100A 4 WIRE  
 PIN & SLEEVE  
 CONNECTOR

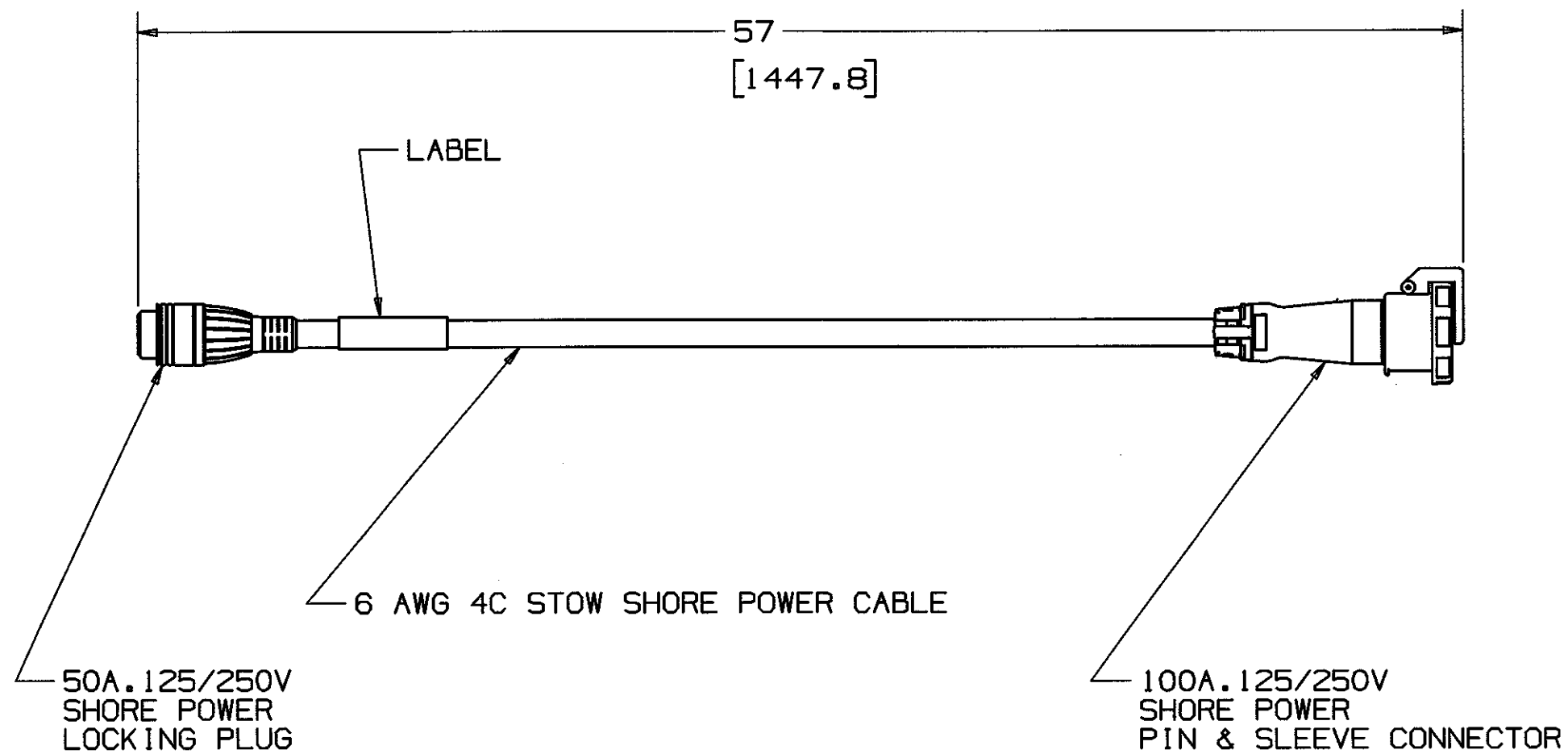
TOLERANCES UNLESS OTHERWISE SPECIFIED  
 FRACTIONS ± 1/64  
 DECIMALS ██████  
 ANGLES ± 2°

WIRING DEVICE DIVISION  
 HARVEY HUBBELL, INC.  
 BRIDGEPORT, CONN.

DR. BY *[Signature]* APP. BY \_\_\_\_\_  
 TR. BY \_\_\_\_\_ SCALE 1:1  
 CHK'D. BY \_\_\_\_\_ DATE 8-22-96

DIMENSION SHEET FOR CAT. NO. M-7675  
 SETTABLE  REPAIRABLE  NON-REPAIRABLE  B  
 M-7675  
 1

M-8760 1



LIST OF PARTS

DESCRIPTION	MATERIAL	FINISH

DIMENSION SHEET FOR CAT. NO. HBL61CM100 REPAIRABLE  NON-REPAIRABLE

**B**

**M-8760**

**1**

1	RELEASE PER DCN. 9380	WJH	
SYM	REVISIONS	APP	DATE

THE DESIGN AND DIMENSIONS OF THE PRODUCT SHOWN ON THIS DRAWING ARE SUBJECT TO CHANGE WITHOUT NOTICE

TITLE  
 100 AMP STRAIGHT MARINE ADAPTER

TOLERANCES UNLESS OTHERWISE SPECIFIED FRACTIONS ± 1/64 DECIMALS ± .005 ANGLES ± 2°	WIRING DEVICE-KELLEMS HUBBELL INCORPORATED BRIDGEPORT, CT	
	DR. BY TJV	APP. BY WJH
	TR. BY	SCALE N/A
	CHK'D BY	DATE 4-15-02