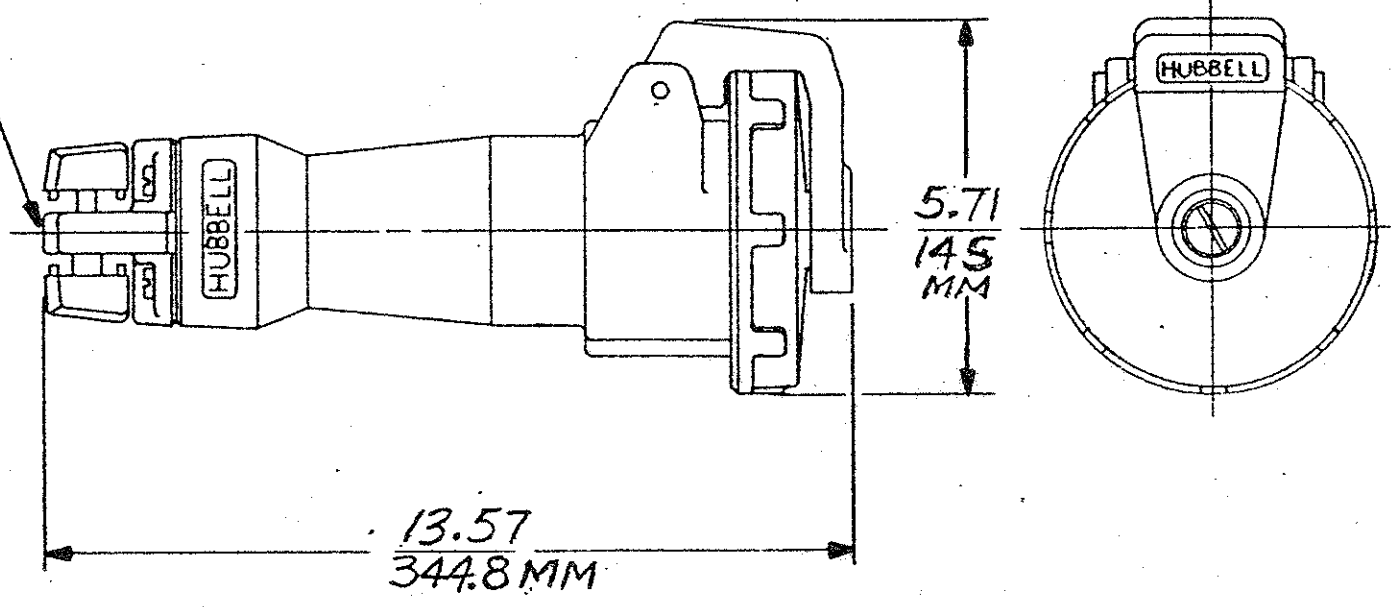


M-7675 1

CABLE DIA.  
 1.200 MIN.  
 30.48 MM  
 1.780 MAX.  
 45.21 MM



| LIST OF PARTS   |             |        |
|-----------------|-------------|--------|
| DESCRIPTION     | MATERIAL    | FINISH |
| HOUSING         | NYLON       |        |
| INTERIOR        | THERMOSET   |        |
| SLEEVE          | BRASS       |        |
| TERMINAL SCREWS | STAIN. STL. |        |
| COVER           | POLYESTER   |        |
| COVER SCREW     | BRASS       | NICKEL |
| COVER SPRING    | STAIN. STL. |        |
| GASKET          | RUBBER      |        |
| DISC            | POLYCARB    |        |
| ARM             | POLYESTER   |        |
| HINGE PIN       | STAIN. STL. |        |
| HINGE SPRING    | STAIN. STL. |        |
| ASSY SCREW      | STAIN. STL. |        |

| CAT. No. | CONFIGURATION | RATING | CAT. No. | CONFIGURATION | RATING                 |
|----------|---------------|--------|----------|---------------|------------------------|
|          |               |        |          |               |                        |
|          |               |        |          |               |                        |
|          |               |        |          |               |                        |
|          |               |        |          |               |                        |
|          |               |        |          |               |                        |
|          |               |        |          |               |                        |
|          |               |        |          |               |                        |
|          |               |        | M4100C12 |               | 100 AMP<br>125/250 VAC |

| 1   | RELEASE PER DCN 4455 RJA | 8-22-96  |
|-----|--------------------------|----------|
| SYM | REVISIONS                | APP DATE |

THE DESIGN AND DIMENSIONS OF THE PRODUCT SHOWN ON THIS DRAWING ARE SUBJECT TO CHANGE WITHOUT NOTICE.

TITLE  
 100A 4 WIRE  
 PIN & SLEEVE  
 CONNECTOR

NOTES:  
 1. ALL DECIMAL DIM. TOLS. TO BE ± .03

WIRING DEVICE DIVISION  
 HARVEY HUBBELL, INC.  
 BRIDGEPORT, CONN.

DR. BY *[Signature]* APP. BY \_\_\_\_\_  
 TR. BY \_\_\_\_\_ SCALE 1:1  
 CHK'D. BY \_\_\_\_\_ DATE 8-22-96

CODE 74545

DIMENSION SHEET FOR CAT. NO. M-7675  
 SETTABLE  REPAIRABLE  NON-REPAIRABLE  B  
 M-7675  
 1