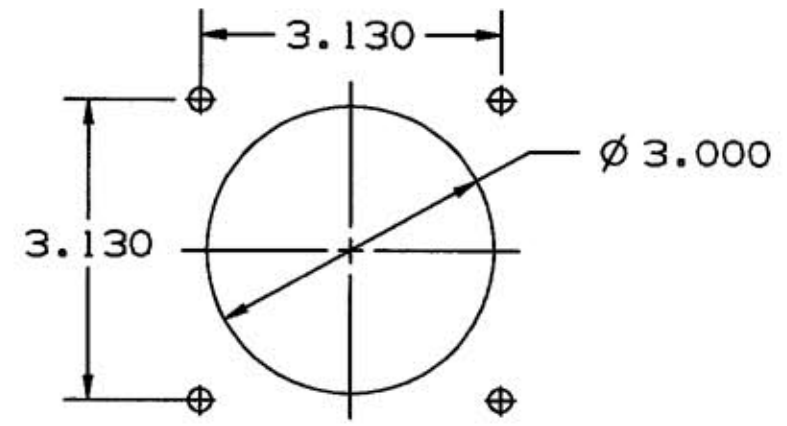
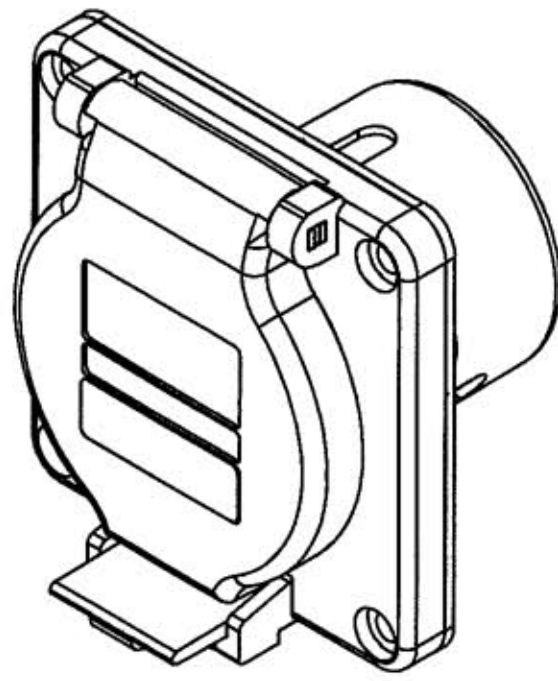
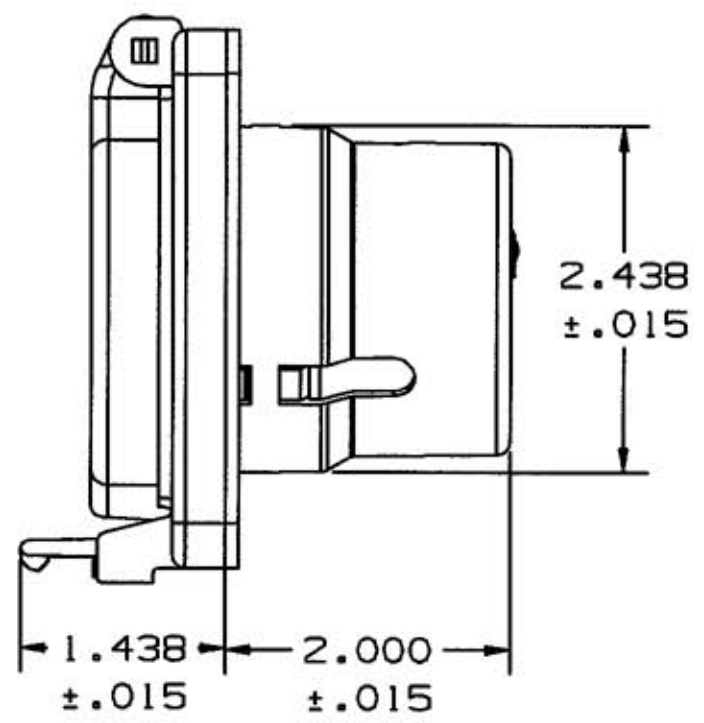
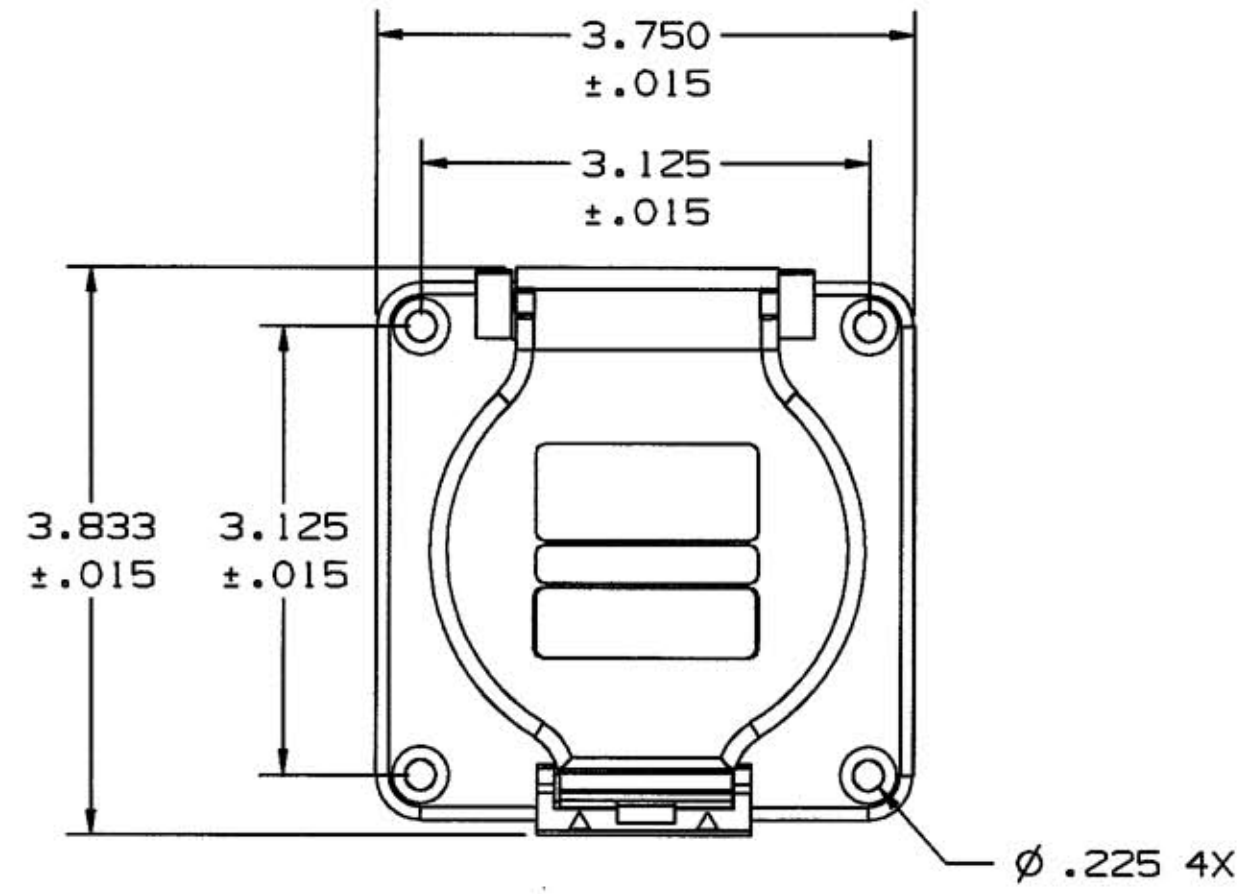


M-8305 2



CUTOUT OPENING



LIST OF PARTS		
DESCRIPTION	MATERIAL	FINISH
INLET BASE	PBT	
CUP, BLADE HOLDER	NYLON	
RING, RETAINING	SST	
SHUNT	COPPER	Ni PLATE
TERMINALS	COPPER	Ni PLATE
TERMINALS	COPPER	Zn PLATE
SCREW ASSY'S, TERM	SST/BRASS	Ni PLATE
BLADE HOLDER	PHENOLIC	
BASE, CAP	PHENOLIC	
BLADES	BRASS	Ni PLATE
SCREWS	STEEL	Zn PLATE
LIFT LID	PBTB	
HINGE PIN	SST	
HINGE SPRING	SST	
GASKET, LID	NEOPRENE	
GASKET, FLANGE	NEOPRENE	
LABEL, RATING	POLYESTER	
LABEL, CAUTION	POLYESTER	

2	CONVERTED ALL DIMS TO 3 PL DECIMAL, ADDED TOL. AND CUTOUT VIEW PER DCN #7772. AMZ	DB DP	8/25/00
1	RELEASED PER DCN7341. DJH	MJL	12/13/99
SYM	REVISIONS	APP	DATE

THE DESIGN AND DIMENSIONS OF THE PRODUCT SHOWN ON THIS DRAWING ARE SUBJECT TO CHANGE WITHOUT NOTICE

TITLE  
HBL6375S  
50A T/L INLET  
125/250V

TOLERANCES UNLESS OTHERWISE SPECIFIED	WIRING DEVICE-KELLEMS HUBBELL INCORPORATED BRIDGEPORT, CT	
FRACTIONS ±1/64	DR. BY DJH	APP. BY MJL
DECIMALS ±.005	TR. BY	SCALE NONE
ANGLES ±2°	CHK'D BY MJL	DATE 12/13/99

DIMENSION SHEET FOR CAT. NO. HBL6375S  
 REPAIRABLE  NON-REPAIRABLE   
 M-8305  
 2