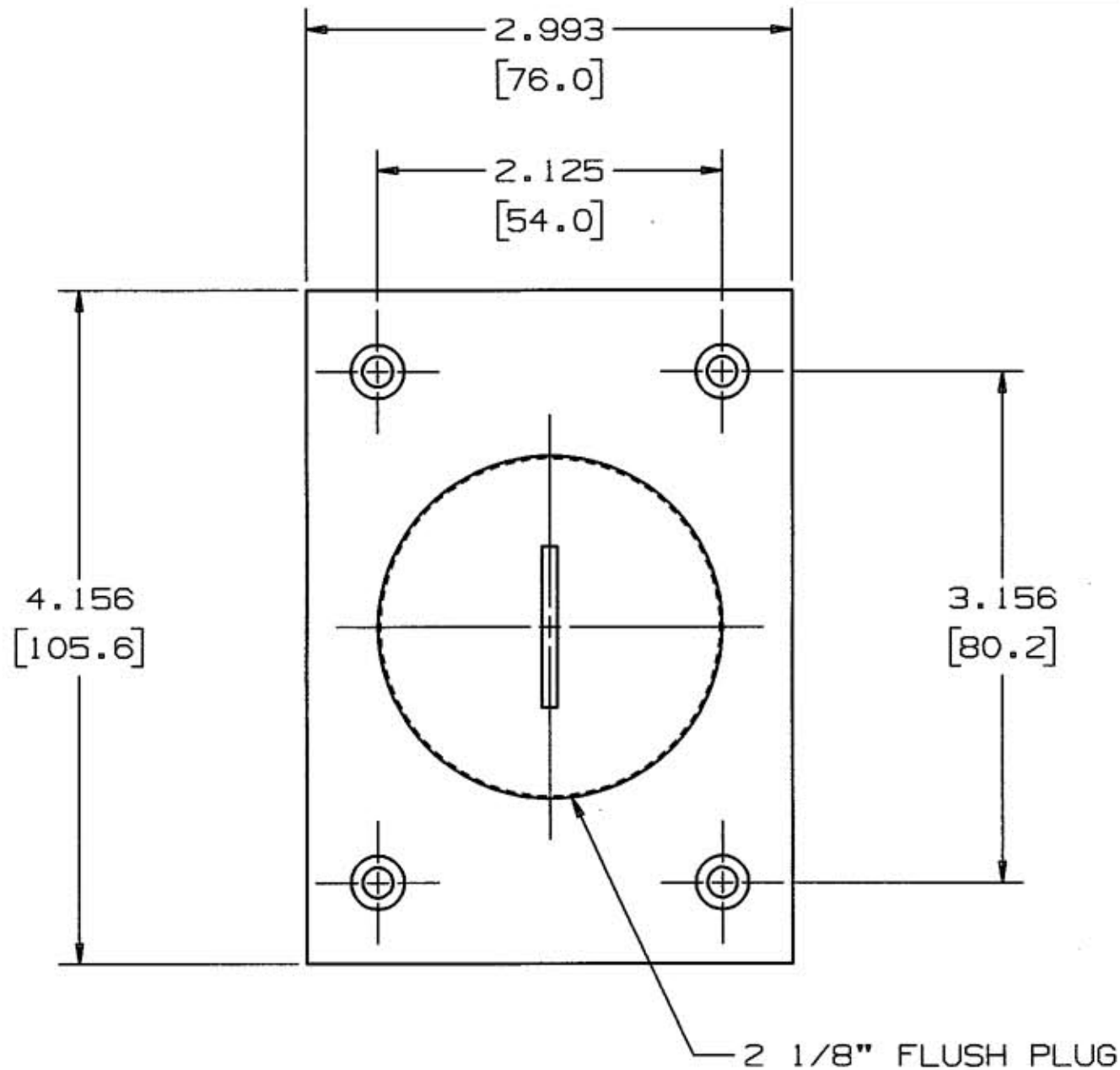


**M-8513 1**



NOTES: (UNLESS OTHERWISE SPECIFIED)

1) DIMENSION FORMAT IS: INCHES  
[ mm ]

2) DIMENSIONS SHOWN ON THIS DRAWING ARE NOMINAL VALUES FOR GENERAL USE ONLY. ACTUAL PART TOLERANCES MUST BE OBTAINED FROM HUBBELL ENGINEERING.

CAT. NO.	MATERIAL	FINISH
S2825	BRASS	BRUSHED & LACQUERED

LIST OF PARTS

DESCRIPTION	MATERIAL	FINISH
SEE TABLE		

REPAIRABLE  NON-REPAIRABLE

1	X REMOVED; LAST X-REVISION WAS X-0. RELEASED FOR PRODUCTION PER DCN #8674. JMN	TCM	7/27/01
SYM	REVISIONS	APP	DATE

THE DESIGN AND DIMENSIONS OF THE PRODUCT SHOWN ON THIS DRAWING ARE SUBJECT TO CHANGE WITHOUT NOTICE

**TITLE**  
RECTANGULAR FLOOR BOX COVER  
2 1/8" FOR SINGLE RECEPTACLE

TOLERANCES UNLESS OTHERWISE SPECIFIED FRACTIONS ±1/64 DECIMALS ±.005 ANGLES ±2°	WIRING DEVICE-KELLEMS HUBBELL INCORPORATED BRIDGEPORT, CT	
	DR. BY JMN	APP. BY JNC
	TR. BY	SCALE 1:1
	CHK'D BY TCM	DATE 7/27/01

M-8513

DIMENSION SHEET FOR CAT. NO. SEE TABLE