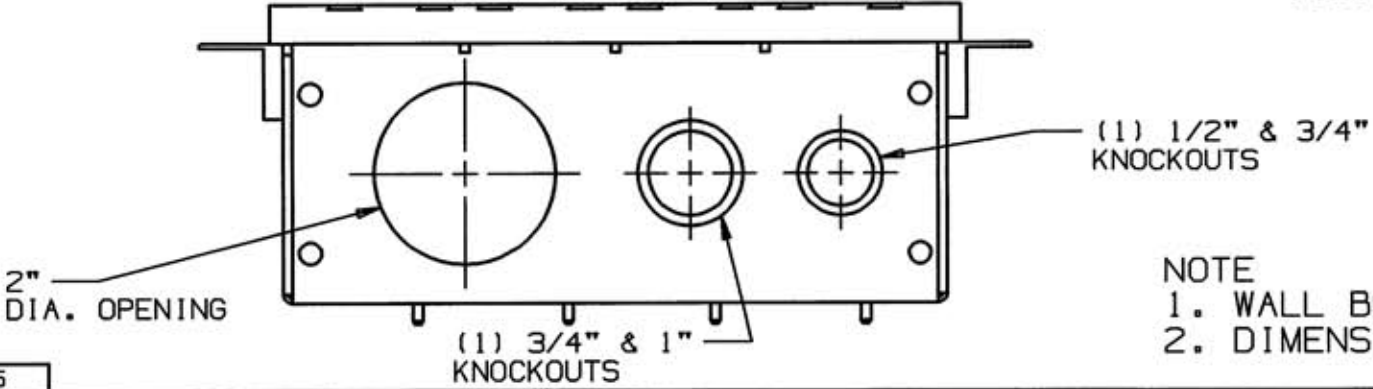
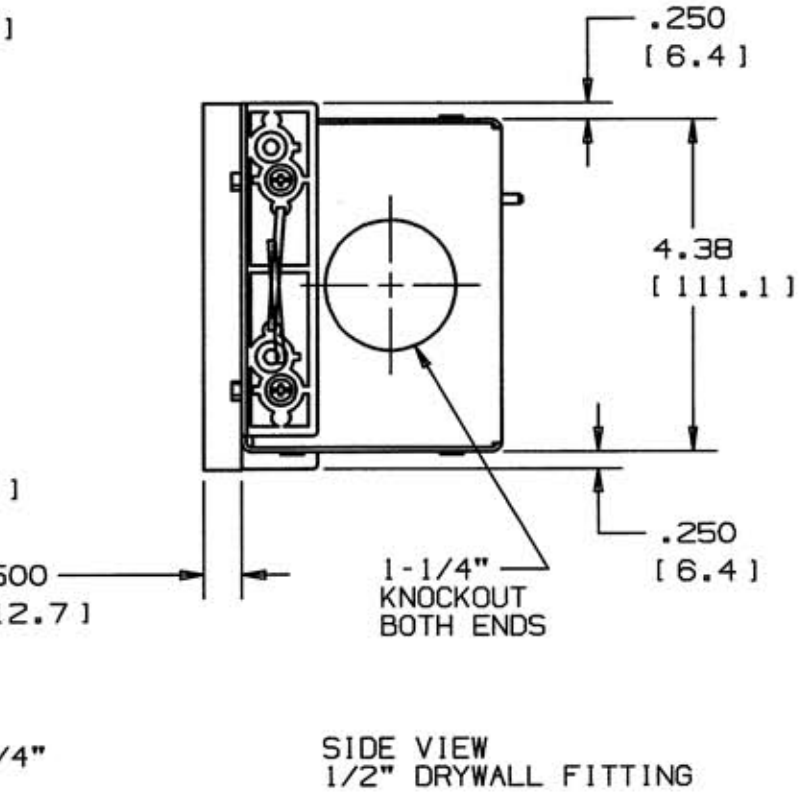
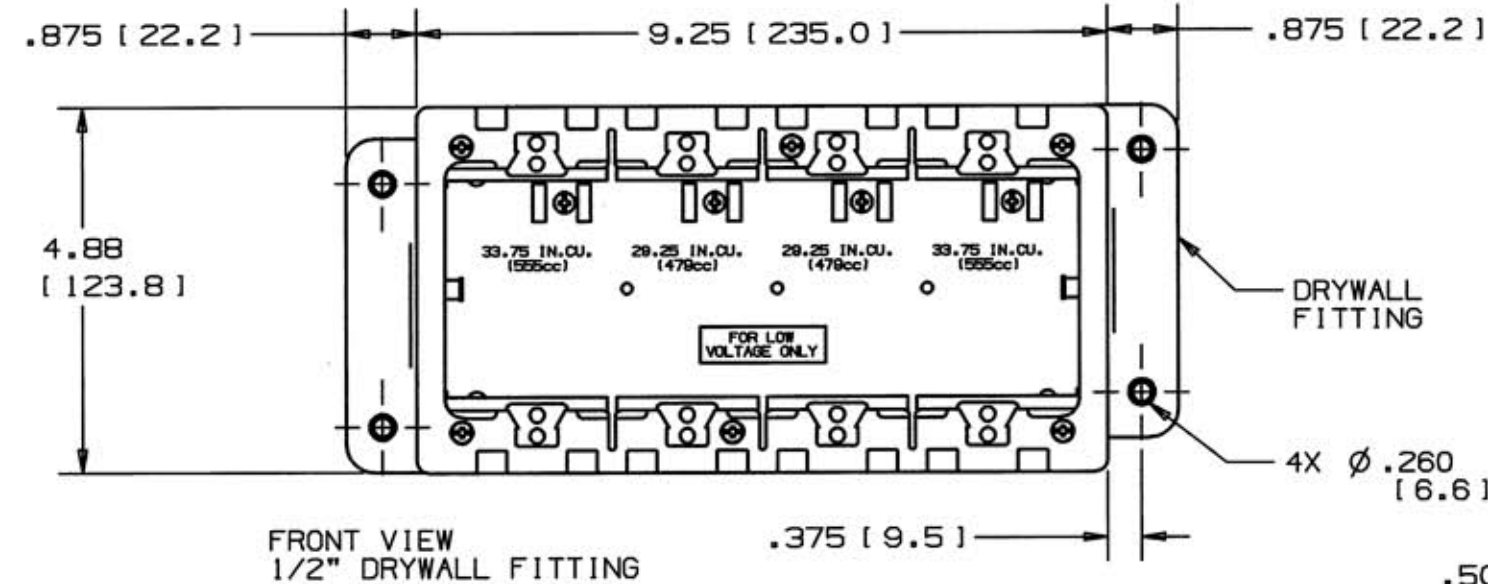
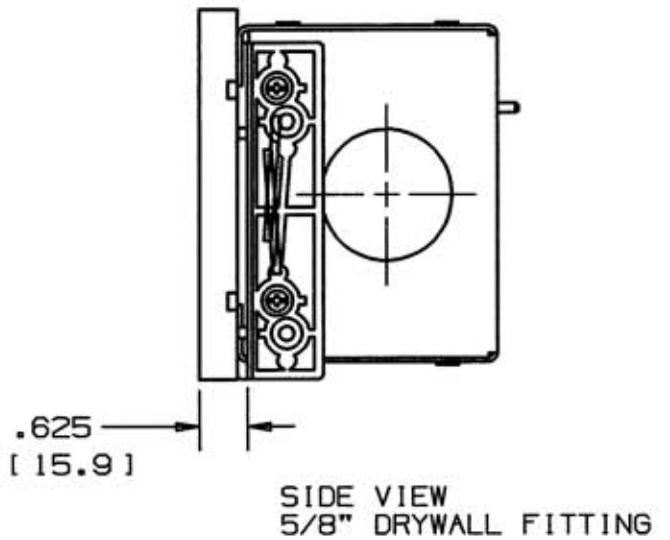
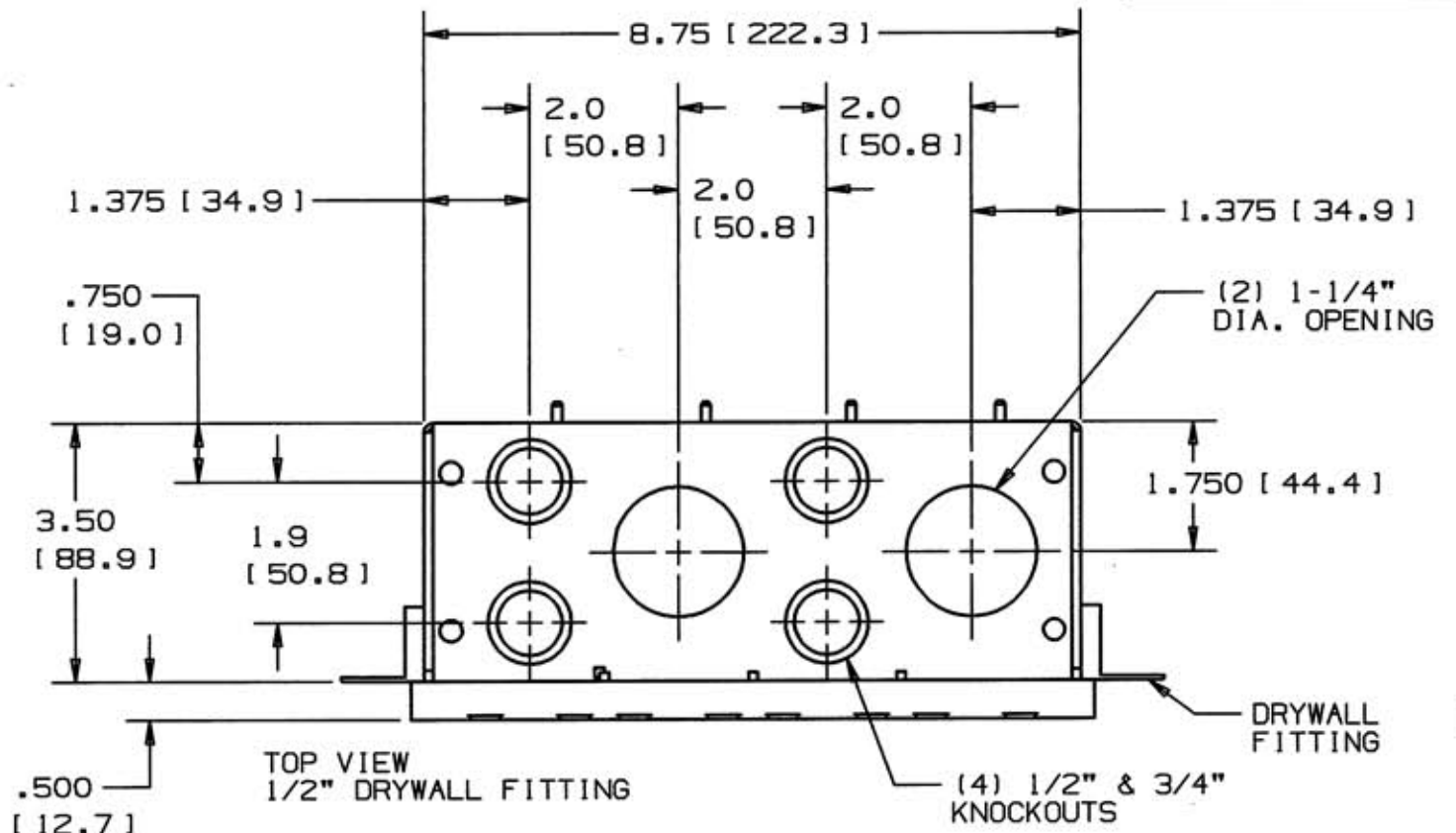


M-8704 2



NOTE
 1. WALL BOX, PRESET FOR 1/2" THK. DRYWALL.
 2. DIMENSIONS: INCHES (MM).

LIST OF PARTS

DESCRIPTION	MATERIAL	FINISH
WALL BOX	16G STEEL	PRE-GALV.
MOUNTING BKT.	PVC	
DRYWALL FITTING	PVC	
GRD. SCREW #10-32 COMB. HD.	STEEL	GREEN

DIMENSION SHEET FOR CAT. NO. HBLWCS4MMO

REPAIRABLE

NON-REPAIRABLE

B

M-8704

2

SYM	REVISIONS	DATE
2	REDRAWN TO CAD, ADD BOTT. VIEW & KO, ADDED KO IN SIDE VIEWS. DCN#10420 PAC JVD	12/2/02
1	RELEASE FOR PRODUCTION DCN#9281 PAC JVD	2/12/02

THE DESIGN AND DIMENSIONS OF THE PRODUCT SHOWN ON THIS DRAWING ARE SUBJECT TO CHANGE WITHOUT NOTICE

TITLE
 RECESS WALL BOX 4-G
 MMO DEEP

TOLERANCES UNLESS OTHERWISE SPECIFIED		WIRING DEVICE-KELLEMS HUBBELL INCORPORATED BRIDGEPORT, CT	
FRACTIONS	$\pm 1/64$	DR. BY	PAC APP. BY JVD
DECIMALS	$\pm .005$	TR. BY	SCALE NTS
ANGLES	$\pm 2^\circ$	CHK'D BY	DATE 2/12/02