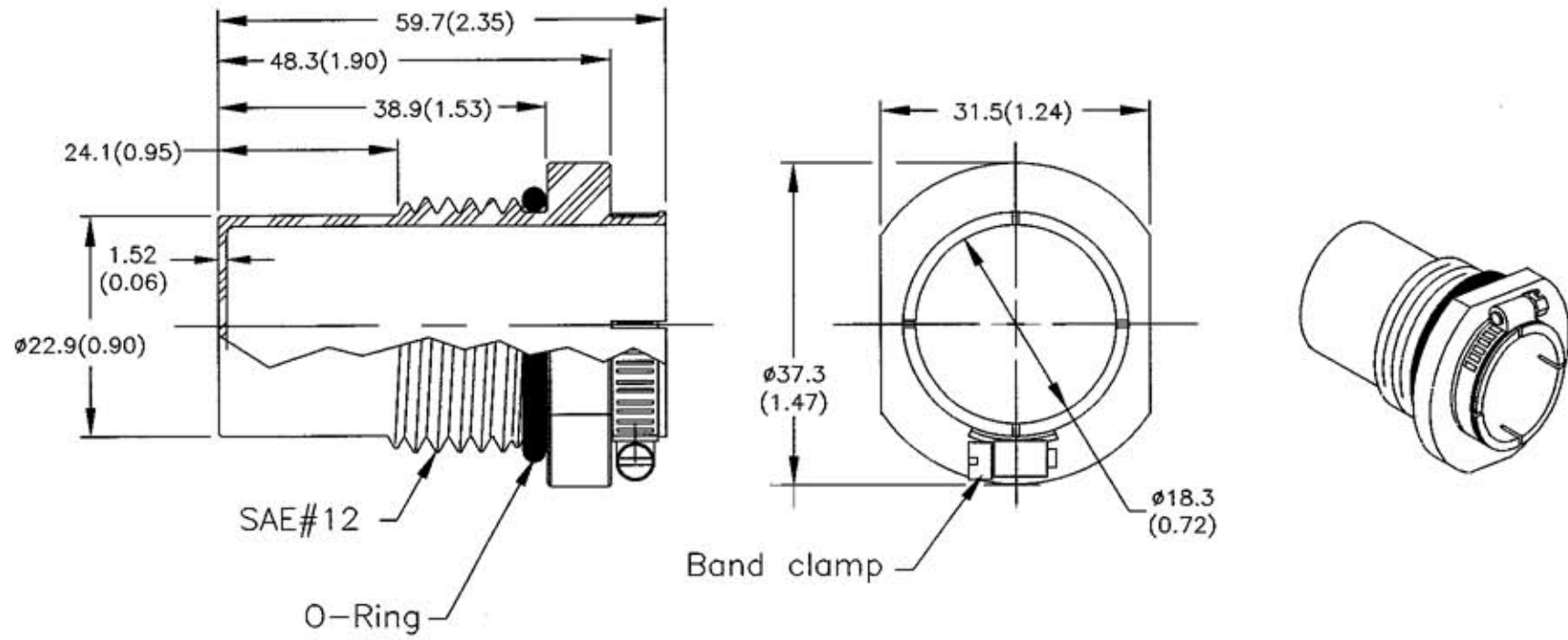


# M-8776 1



LIST OF PARTS		
DESCRIPTION	MATERIAL	FINISH
SENSOR WELL	DELRIN	
BAND CLAMP	STAINLESS STEEL	
O RING	BUNA NEOPREAN	

DIMENSION SHEET FOR CAT. NO. WMSAESB18D

REPAIRABLE  NON-REPAIRABLE

1	5/1/02 "X" REMOVED; LAST "X" REVISION WAS X-0. RELEASED FOR PRODUCTION PER DCN #9320. GDR MJL	<i>MJL</i>	5/23/02
SYM	REVISIONS	APP	DATE

THE DESIGN AND DIMENSIONS OF THE PRODUCT SHOWN ON THIS DRAWING ARE SUBJECT TO CHANGE WITHOUT NOTICE

TITLE  
SENSOR WELL, SAE TYPE

TOLERANCES UNLESS OTHERWISE SPECIFIED FRACTIONS ±/64 DECIMALS ±005 ANGLES ±2	WIRING DEVICE-KELLEMS HUBBELL INCORPORATED BRIDGEPORT, CT	
	DR. BY GDR	APP. BY <i>MJL</i>
	TR. BY	SCALE NONE
	CHK'D BY	DATE 5/1/02

**M-8776**

UNLESS OTHERWISE SPECIFIED DIMENSIONS ARE IN mm (INCHES)