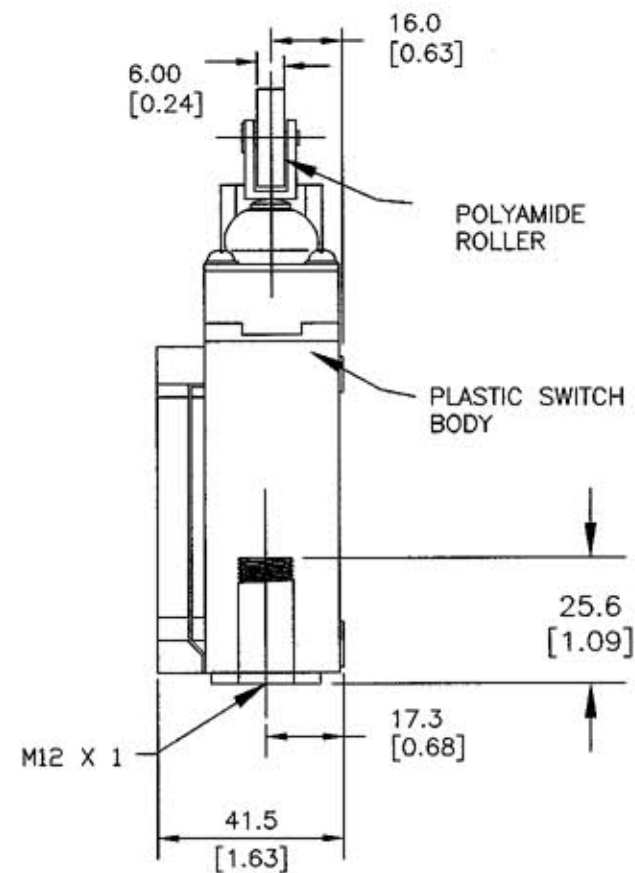
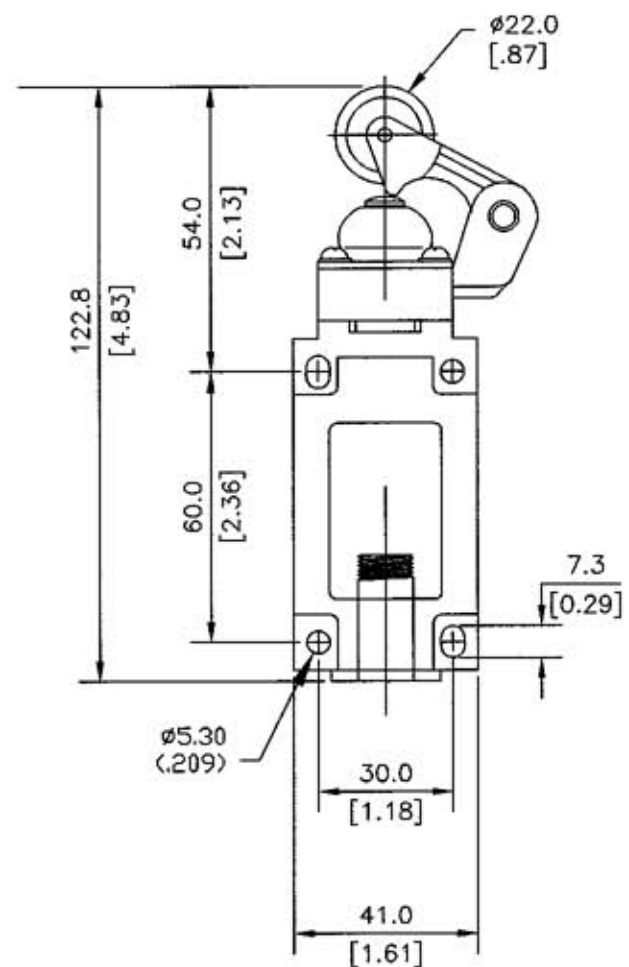


**M-8799**

1



UNLESS OTHERWISE SPECIFIED DIMENSIONS ARE IN mm (INCHES)

LIST OF PARTS

DESCRIPTION	MATERIAL	FINISH

DIMENSION SHEET FOR CAT. NO. M-8799  
 SLSITRL  
 REPAIRABLE  NON-REPAIRABLE

1	5/3/02 "X" REMOVED; LAST "X" REVISION WAS X-0. RELEASED FOR PRODUCTION PER DCN #9320. GDR MJL	APP	DATE
SYM	REVISIONS	APP	DATE

THE DESIGN AND DIMENSIONS OF THE PRODUCT SHOWN ON THIS DRAWING ARE SUBJECT TO CHANGE WITHOUT NOTICE

TITLE  
LIMIT SWITCH W/TOP ROLLER LEVER

TOLERANCES UNLESS OTHERWISE SPECIFIED FRACTIONS ±/64 DECIMALS ±005 ANGLES ±Z	WIRING DEVICE-KELLEMS HUBBELL INCORPORATED BRIDGEPORT, CT	
	DR. BY GDR	APP. BY <i>[Signature]</i>
	TR. BY	SCALE NONE
	CHK'D BY	DATE 5/3/02