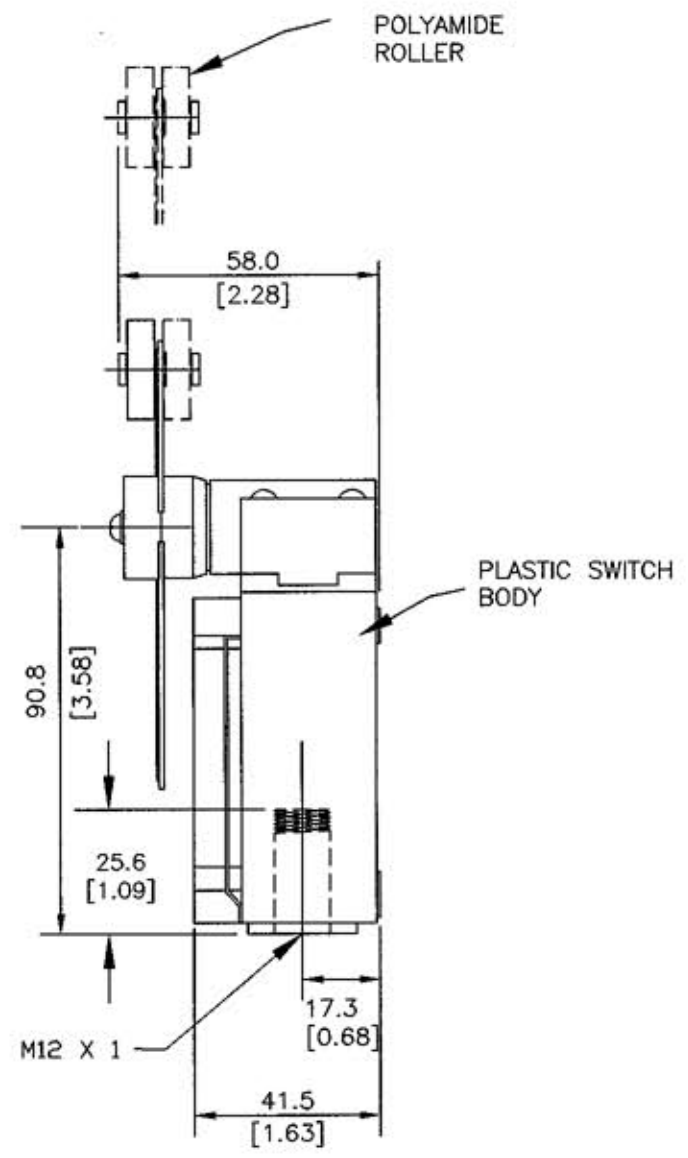
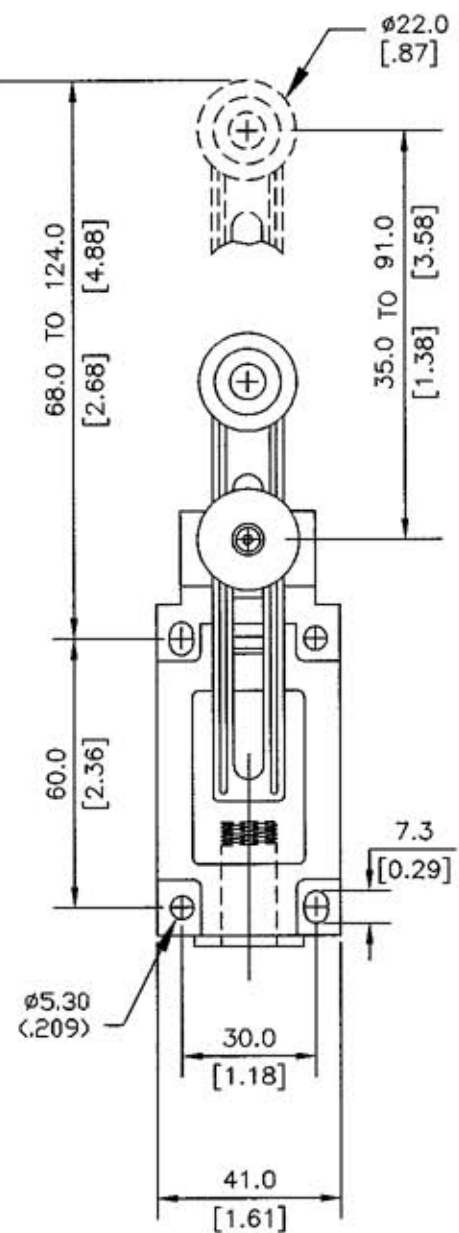


# M-8801 1



LIST OF PARTS		
DESCRIPTION	MATERIAL	FINISH

SYM	REVISIONS	APP	DATE
1	5/3/02 "X" REMOVED; LAST "X" REVISION WAS X-0. RELEASED FOR PRODUCTION PER DCN #9320. GDR MJL	<i>MJL</i>	5/23/02

THE DESIGN AND DIMENSIONS OF THE PRODUCT SHOWN ON THIS DRAWING ARE SUBJECT TO CHANGE WITHOUT NOTICE

TITLE  
LIMIT SWITCH SIDE ROTARY W/ADJ ROLLER LEVER

TOLERANCES UNLESS OTHERWISE SPECIFIED FRACTIONS ±/64 DECIMALS ±.005 ANGLES ±2°	WRING DEVICE-KELLEMS HUBBELL INCORPORATED BRIDGEPORT, CT	
	DR. BY GDR	APP. BY <i>MJL</i>
	TR. BY	SCALE NONE
	CHK'D BY	DATE 5/3/02

UNLESS OTHERWISE SPECIFIED DIMENSIONS ARE IN mm (INCHES)

DIMENSION SHEET FOR CAT. NO. M-8801  
 REPAIRABLE  NON-REPAIRABLE

**M-8801**