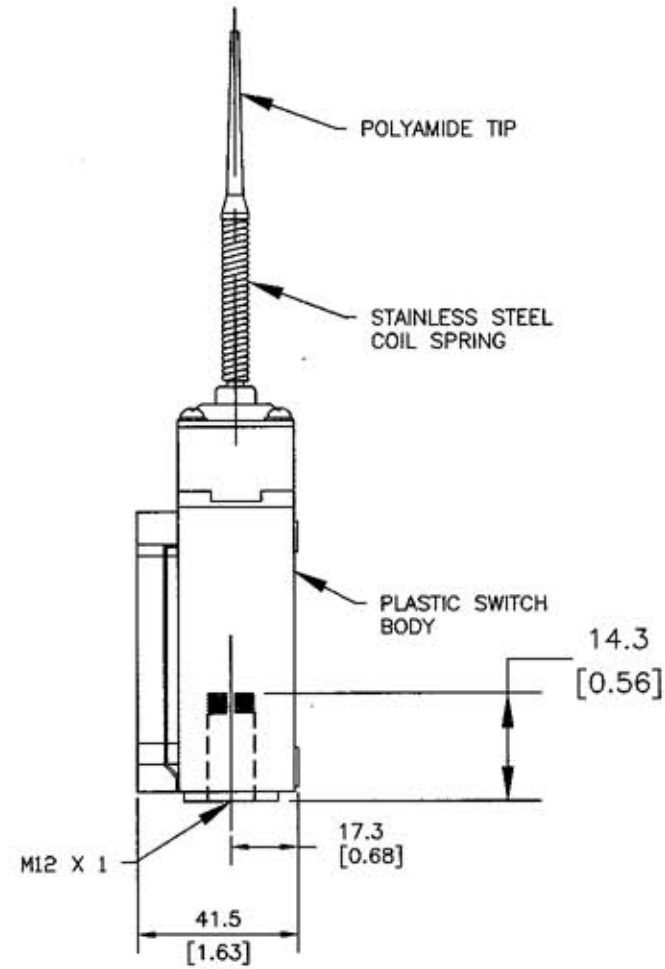
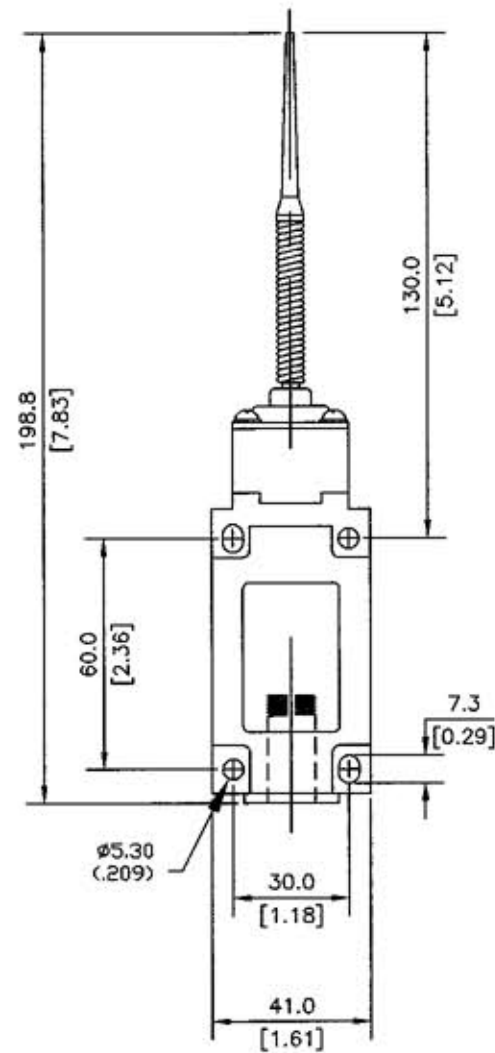


# M-8806 1



LIST OF PARTS

DESCRIPTION	MATERIAL	FINISH

DIMENSION SHEET FOR CAT. NO. SLS110CSP1

REPAIRABLE  NON-REPAIRABLE

1	5/3/02 "X" REMOVED; LAST "X" REVISION WAS X-0. RELEASED FOR PRODUCTION PER DCN #9320. GDR MJL	<i>mjl</i> 05/23/02	
---	---	---------------------	--

SYM	REVISIONS	APP	DATE
-----	-----------	-----	------

THE DESIGN AND DIMENSIONS OF THE PRODUCT SHOWN ON THIS DRAWING ARE SUBJECT TO CHANGE WITHOUT NOTICE

TITLE  
LIMIT SWITCH WITH COIL SPRING AND POLY TIP

TOLERANCES UNLESS OTHERWISE SPECIFIED FRACTIONS ±/64 DECIMALS ±.005 ANGLES ±2°	WIRING DEVICE-KELLEMS HUBBELL INCORPORATED BRIDGEPORT, CT			
	DR. BY	GDR	APP. BY	<i>mjl</i>
	TR. BY		SCALE	NONE
	CHK'D BY		DATE	5/3/02

UNLESS OTHERWISE SPECIFIED DIMENSIONS ARE IN mm (INCHES)