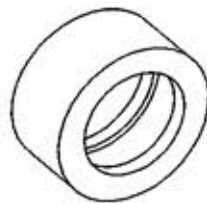
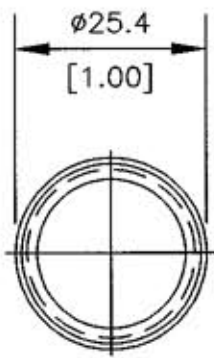
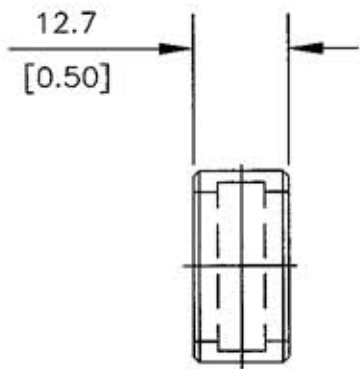


M-8809

1



LIST OF PARTS

DESCRIPTION	MATERIAL	FINISH
COUPLER	STEEL	ZINC PLATED

DIMENSION SHEET FOR CAT. NO. HMSC

REPAIRABLE NON-REPAIRABLE

1	5/8/02 "X" REMOVED; LAST "X" REVISION WAS X-0. RELEASED FOR PRODUCTION PER DCN #9320. GDR MJL	<i>MJL</i>	5/23/02
---	---	------------	---------

SYM	REVISIONS	APP	DATE
-----	-----------	-----	------

THE DESIGN AND DIMENSIONS OF THE PRODUCT SHOWN ON THIS DRAWING ARE SUBJECT TO CHANGE WITHOUT NOTICE

TITLE
COUPLER, FOR SENSOR MOUNT SYSTEM

TOLERANCES UNLESS OTHERWISE SPECIFIED FRACTIONS ±1/64 DECIMALS ±005 ANGLES ±2°	WIRING DEVICE-KELLEMS HUBBELL INCORPORATED BRIDGEPORT, CT	DR. BY GDR TR. BY CHK'D BY	APP. BY <i>MJL</i> SCALE NONE DATE 5/8/02
---	---	----------------------------------	---

UNLESS OTHERWISE SPECIFIED DIMENSIONS ARE IN mm (INCHES)

M-8809