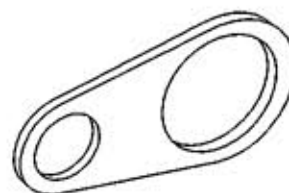
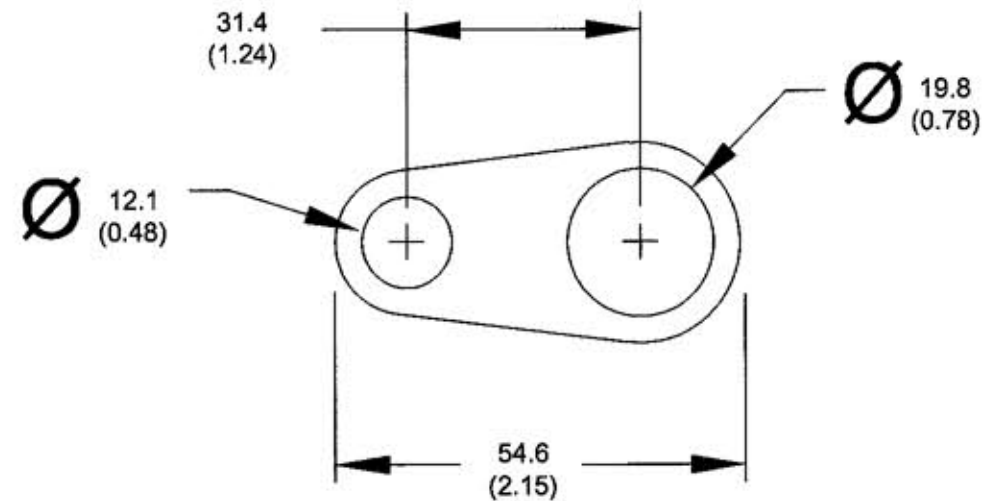


M-8814 1



UNLESS OTHERWISE SPECIFIED DIMENSIONS ARE IN mm (INCHES)

CODE 74545

LIST OF PARTS

DESCRIPTION	MATERIAL	FINISH
BRACKET	304 STAINLESS STEEL	

DIMENSION SHEET FOR CAT. NO. BKT12F

REPAIRABLE NON-REPAIRABLE

SYM	REVISIONS	APP	DATE
1	5/8/02 "X" REMOVED; LAST "X" REVISION WAS X-0. RELEASED FOR PRODUCTION PER DCN #9320. GDR MJL	<i>mjl</i>	5/23/02

THE DESIGN AND DIMENSIONS OF THE PRODUCT SHOWN ON THIS DRAWING ARE SUBJECT TO CHANGE WITHOUT NOTICE

TITLE
BRACKET, FLAT FOR 12mm SENSORS

TOLERANCES UNLESS OTHERWISE SPECIFIED	WIRING DEVICE-KELLEMS HUBBELL INCORPORATED BRIDGEPORT, CT	
FRACTIONS \pm /64	DR. BY GDR	APP. BY <i>mjl</i>
DECIMALS \pm 005	TR. BY	SCALE NONE
ANGLES \pm 2'	CHK'D BY	DATE 5/8/02

B
M-8814