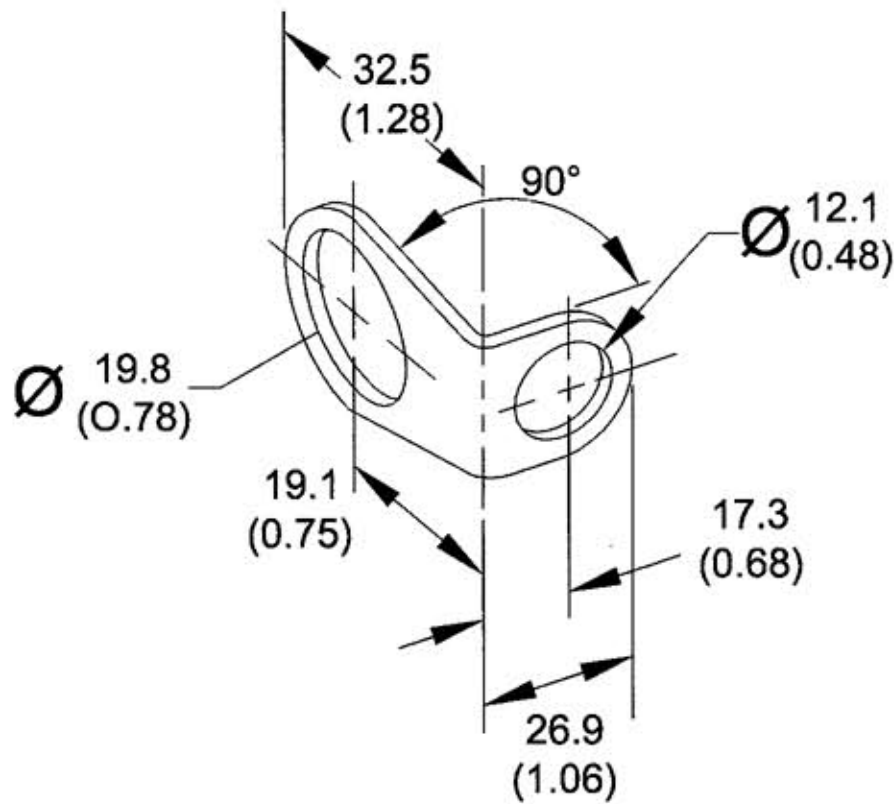


**M-8817** 1



LIST OF PARTS

DESCRIPTION	MATERIAL	FINISH
BRACKET, ANGLED	304 STAINLESS STEEL	

DIMENSION SHEET FOR CAT. NO. BKT12A  
 REPAIRABLE  NON-REPAIRABLE

1	5/8/02 "X" REMOVED; LAST "X" REVISION WAS X-0. RELEASED FOR PRODUCTION PER DCN #9320. GDR MJL	<i>MJR</i>	5/23/02
SYM	REVISIONS	APP	DATE

THE DESIGN AND DIMENSIONS OF THE PRODUCT SHOWN ON THIS DRAWING ARE SUBJECT TO CHANGE WITHOUT NOTICE

TITLE  
BRACKET, ANGLED FOR 12mm SENSORS

TOLERANCES UNLESS OTHERWISE SPECIFIED FRACTIONS ±/64 DECIMALS ±.005 ANGLES ±2°	WIRING DEVICE-KELLEMS HUBBELL INCORPORATED BRIDGEPORT, CT	
	DR. BY GDR	APP. BY <i>MJR</i>
	TR. BY	SCALE NONE
	CHK'D BY	DATE 5/8/02

UNLESS OTHERWISE SPECIFIED DIMENSIONS ARE IN mm (INCHES)

**M-8817**