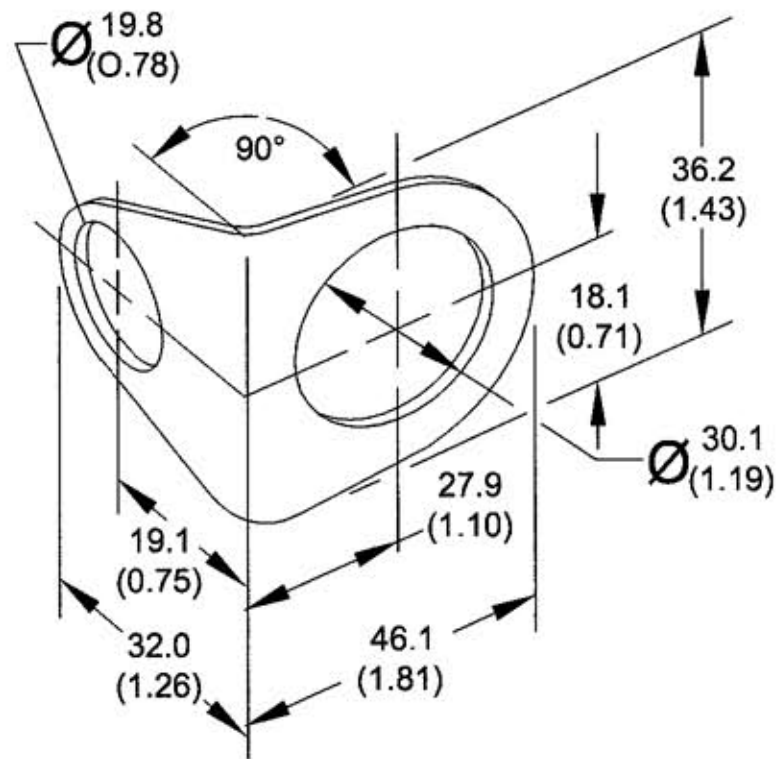


**M-8819** 1



UNLESS OTHERWISE SPECIFIED DIMENSIONS ARE IN mm (INCHES)

LIST OF PARTS

DESCRIPTION	MATERIAL	FINISH
BRACKET, ANGLED	304 STAINLESS STEEL	

DIMENSION SHEET FOR CAT. NO. BKT30A

REPAIRABLE  NON-REPAIRABLE

1	5/8/02 "X" REMOVED; LAST "X" REVISION WAS X-0. RELEASED FOR PRODUCTION PER DCN #9320. GDR MJL	<i>MJL</i>	5/23/02
SYM	REVISIONS	APP	DATE

THE DESIGN AND DIMENSIONS OF THE PRODUCT SHOWN ON THIS DRAWING ARE SUBJECT TO CHANGE WITHOUT NOTICE

TITLE  
BRACKET, ANGLED FOR 30mm SENSORS

TOLERANCES UNLESS OTHERWISE SPECIFIED		WIRING DEVICE-KELLEMS HUBBELL INCORPORATED BRIDGEPORT, CT	
FRACTIONS	±/64	DR. BY	GDR
DECIMALS	±005	APP. BY	
ANGLES	±2'	TR. BY	SCALE NONE
		CHK'D BY	DATE 5/8/02

**M-8819**