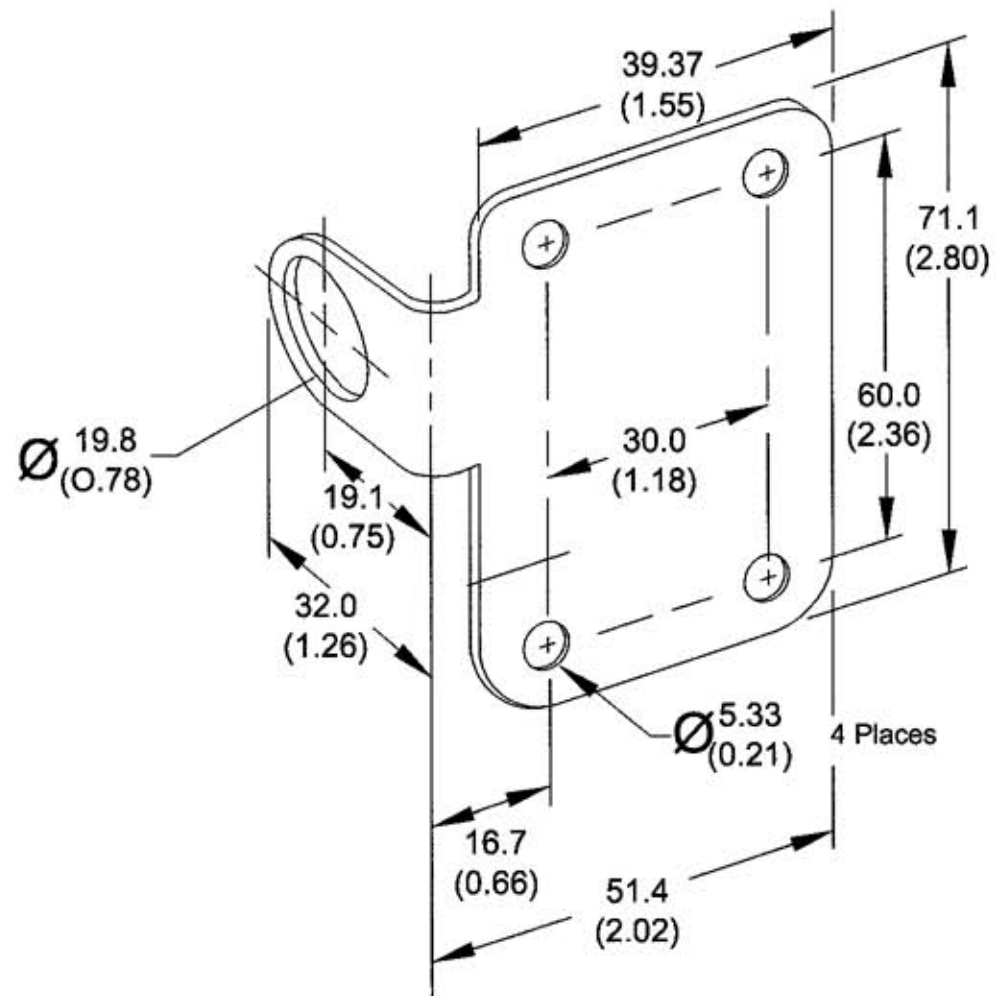


M-8823 1



UNLESS OTHERWISE SPECIFIED DIMENSIONS ARE IN mm (INCHES)

LIST OF PARTS

DESCRIPTION	MATERIAL	FINISH
BRACKET, ANGLED	304 STAINLESS STEEL	

1	5/8/02 "X" REMOVED; LAST "X" REVISION WAS X-0. RELEASED FOR PRODUCTION PER DCN #9320. GDR MJL			<i>MJR</i> 5/23/02
---	---	--	--	--------------------

SYM	REVISIONS	APP	DATE

THE DESIGN AND DIMENSIONS OF THE PRODUCT SHOWN ON THIS DRAWING ARE SUBJECT TO CHANGE WITHOUT NOTICE

TITLE
BRACKET, ANGLE FOR LIMIT SWITCH

TOLERANCES UNLESS OTHERWISE SPECIFIED FRACTIONS ±1/64 DECIMALS ±005 ANGLES ±2°	WIRING DEVICE—KELLEMS HUBBELL INCORPORATED BRIDGEPORT, CT	
	DR. BY GDR	APP. BY <i>MJR</i>
	TR. BY	SCALE NONE
	CHK'D BY	DATE 5/8/02

DIMENSION SHEET FOR CAT. NO. BKTLS
 REPAIRABLE NON-REPAIRABLE

M-8823