

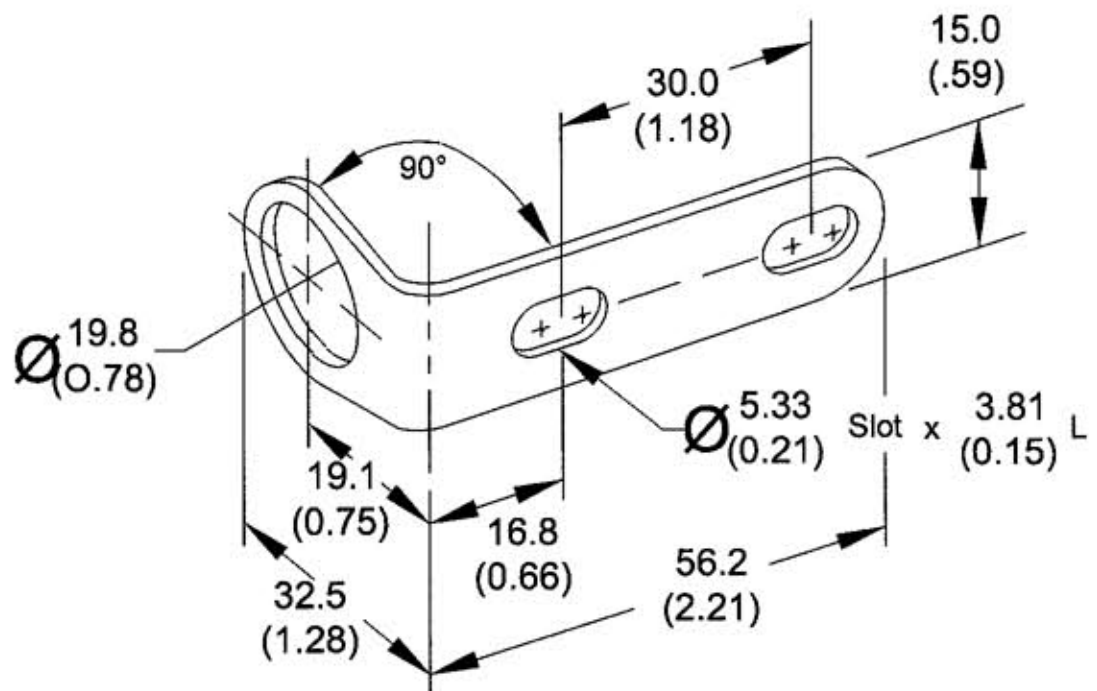
M-8824

1

LIST OF PARTS

DESCRIPTION	MATERIAL	FINISH
BRACKET, ANGLE	304 STAINLESS STEEL	

DIMENSION SHEET FOR CAT. NO. **M-8824**
 BK TMLS
 REPAIRABLE NON-REPAIRABLE



1	5/8/02 "X" REMOVED; LAST "X" REVISION WAS X-0. RELEASED FOR PRODUCTION PER DCN #9320. GDR MJL	<i>MJL</i>	5/23/02
SYM	REVISIONS	APP	DATE

THE DESIGN AND DIMENSIONS OF THE PRODUCT SHOWN ON THIS DRAWING ARE SUBJECT TO CHANGE WITHOUT NOTICE

TITLE
BRACKET, OFFSET FOR MINI SWITCH

TOLERANCES UNLESS OTHERWISE SPECIFIED FRACTIONS ±1/64 DECIMALS ±005 ANGLES ±2°	WIRING DEVICE-KELLEMS HUBBELL INCORPORATED BRIDGEPORT, CT	
	DR. BY GDR	APP. BY <i>MJL</i>
	TR. BY	SCALE NONE
	CHK'D BY	DATE 5/8/02

UNLESS OTHERWISE SPECIFIED DIMENSIONS ARE IN mm (INCHES)