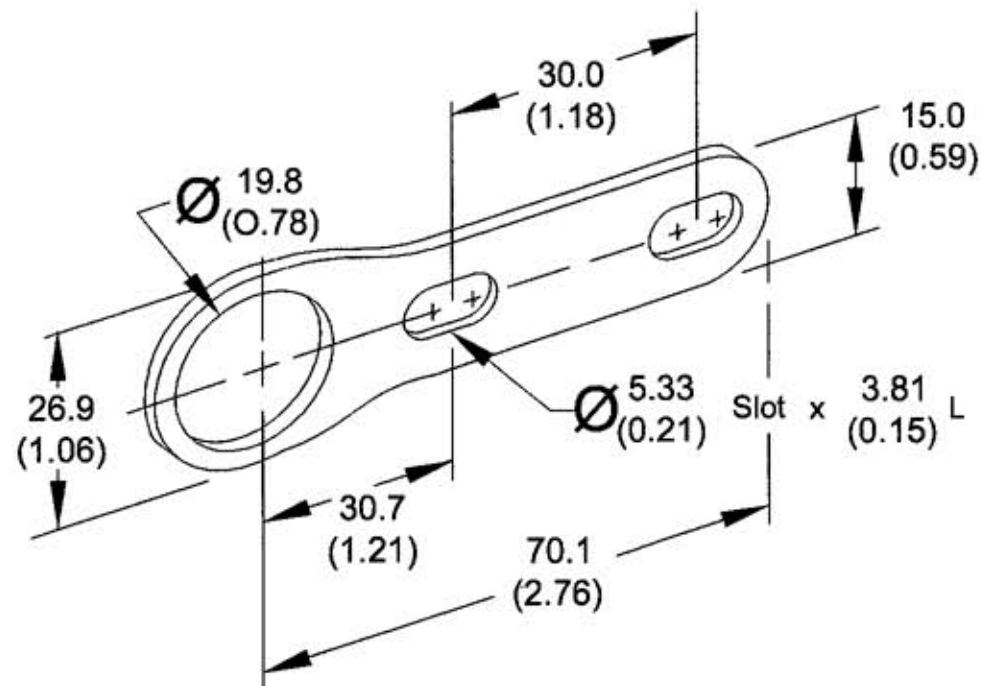


**M-8825** 1



LIST OF PARTS		
DESCRIPTION	MATERIAL	FINISH
BRACKET	304 STAINLESS STEEL	

DIMENSION SHEET FOR CAT. NO. BKTMLSF

REPAIRABLE  NON-REPAIRABLE

1	5/8/02 "X" REMOVED; LAST "X" REVISION WAS X-0. RELEASED FOR PRODUCTION PER DCN #9320. GDR MJL	<i>MJR</i>	5/23/02
SYM	REVISIONS	APP	DATE

THE DESIGN AND DIMENSIONS OF THE PRODUCT SHOWN ON THIS DRAWING ARE SUBJECT TO CHANGE WITHOUT NOTICE

TITLE  
BRACKET, FLAT FOR MINI SWITCH

TOLERANCES UNLESS OTHERWISE SPECIFIED FRACTIONS ±1/64 DECIMALS ±005 ANGLES ±2°	WIRING DEVICE-KELLEMS HUBBELL INCORPORATED BRIDGEPORT, CT	
	DR. BY GDR	APP. BY <i>MJR</i>
	TR. BY	SCALE NONE
	CHK'D BY	DATE 5/8/02

UNLESS OTHERWISE SPECIFIED DIMENSIONS ARE IN mm (INCHES)

**M-8825**